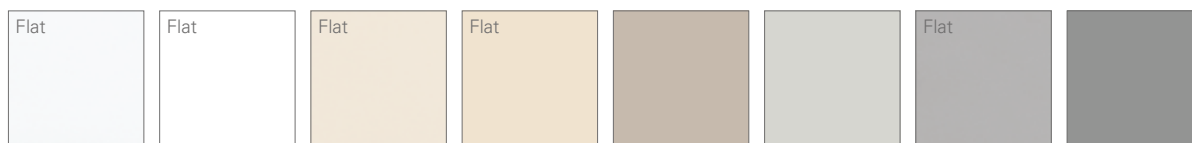




Export  
**PRICE LIST 2022**

# COLOUR RANGE

## Classicline Ceramicplus



R1 White alpin glossy

RW Stone White

KR Cream glossy

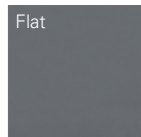
FU Ivory

AM Almond

SM Steam

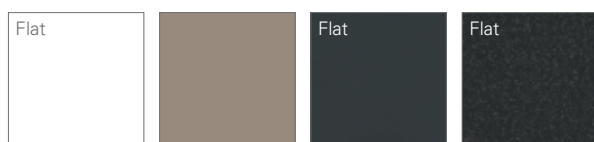
KD Fossil

SL Stone



i4 Graphite

## Premiumline Ceramicplus



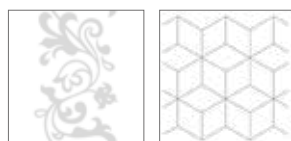
KG Snow White glossy

TR Timber

S5 Ebony

J0 Chromite glossy

## Trendline Ceramicplus



KT Decor white pearl

M1 Decor Mosaïque

Please consult the inner pages of the price list for the availability of colours for the different sink models.



---

<b>■</b>	GENERAL INFORMATION	4
<b>■</b>	BUILT-IN SINKS	
	<i>Size of undercabinet 80 cm</i>	17
	<i>Size of undercabinet 60 cm</i>	19
	<i>Size of undercabinet 50 cm</i>	33
	<i>Size of undercabinet 45 cm</i>	40
<b>■</b>	UNDERCOUNTER SINKS	46
<b>■</b>	FLUSHMOUNTED SINKS	
	<i>Size of undercabinet 60 cm</i>	55
	<i>Size of undercabinet 50 cm</i>	56
	<i>Size of undercabinet 45 cm</i>	66
<b>■</b>	MODULES / CORNER SINKS	75
<b>■</b>	TAPS	83
<b>■</b>	SPARE PARTS AND ACCESSORIES	101
<b>■</b>	INSTALLATION INSTRUCTIONS / PLANNING INFORMATION	111
<b>■</b>	GENERAL SALES AND DELIVERY CONDITIONS	123

## CERAMIC SINKS FROM VILLEROY & BOCH

---

# THE HIGHEST QUALITY A LIFETIME LONG

*Ceramics from Villeroy & Boch combine the experience of traditional craftsmanship with maximum industrial precision. The result: products that enrich life with good design, lasting quality and with an assured sense of style. Kitchen sinks from Villeroy & Boch combine practicality and design with the tried-and-tested qualities of ceramics, which are offered by almost no other material. Discover the decisive advantages of Villeroy & Boch ceramics:*

- 1. Scratch- and knife-resistant*
- 2. Acid-resistant*
- 3. Heat-resistant*
- 4. Shock-resistant*
- 5. Hygienic and food-safe*
- 6. Stain proof*
- 7. Lightfast in each colour*
- 8. Easy to clean thanks to CeramicPlus*



# CHANGES TO THE RANGE

## INTRODUCTION

This price list replaces all previously valid price lists. It is valid for deliveries as of 1st May 2022. The prices given in this price list are recommended retail prices (VAT not included). Variations in colour and dimensions apply within the standard tolerances. We reserve the right to change colours and models. Ceramic materials from Villeroy & Boch possess a high degree of inherent stability. They are able to withstand all water temperatures and temperature shocks from hot and cold water and are resistant to steam. The glazes on sanitary ceramics from Villeroy & Boch are to a certain extent scratch-proof and resistant to all alkalis and acids which are common in the sanitary area. This scope of resistance does not include hydrofluoric acid and its compounds. Organic solvents and intensive agents will not affect the glaze. All offers, sales and deliveries of sanitary ceramic items and accessories are based on „General Sales and Delivery Conditions of Villeroy & Boch AG Bath and Wellness Division“. The manufacturer’s consent shall be required for reproduction or duplication in any form, including extracts.

## CHANGE TO THE RANGE

### 1. NEW PRODUCTS

1.1 SINKS	
3366 01 / 02	Subway Style 60 S (Page 30)
3366 1F / 2F	Subway Style 60 S Flat (Page 63)
1.2 TAPS	
9285 00 LC / 05	Subway Style Shower
9251 00 05	Como in Anthracite
9251 11 05	Como low pressure in Anthracite
9252 00 05	Como Shower in Anthracite
9252 11 05	Como Shower low pressure in Anthracite
9257 00 05	Como Window in Anthracite
9258 00 05	Como Shower Window in Anthracite
1.3 ACCESSORIES	
9K14 00 71 / 05	Draining rack in Colour 71 aluminium brushed, 05 anthracite
8K42 10 00	European oak cutting board
8K38 00 K1	Strainer bowl, Stainless steel

### 2. DISCONTINUATION

2.1 SINKS	
6732	Condor 50
6702	Cisterna 60 B
2.2 TAPS	
9276	Finera Slope
9277	Finera Slope Square
9278 00 LE	Como Sky in solid stainless steel, polished
9279 00 LE	Como Sky Shower in solid stainless steel, polished
9236 10	Soap dispenser



Delivery of discontinued articles from current production until 28.02.2022, after only from existing stock.

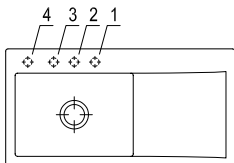
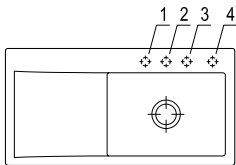
# ORDERING SINKS WITH TAP HOLES

When placing your order, please state the complete article number, including the desired drilled tap holes. Surcharge: 9,00 €/drilled hole (If no drilled tap holes are required, the original article number applies without the additional hole specification.)

Example	Sink	Composition of available article numbers			Available article numbers
		Article number	Drilled tap hole	Tap hole position/s	
1	Subway Style sink with hand-operated waste in the colour R1 and tap hole 1 pre-drilled.	336101R1	HL	1	336101R1HL1
2	Subway Style sink with pop-up waste in the colour R1 and tap holes 2 and 4 pre-drilled.	336102R1	HL	24	336102R1HL24
3	Subway Style Flat sink with pop-up waste in the colour R1 and tap holes 1, 2 and 4 pre-drilled.	33612FR1	HL	124	33612FR1HL124
4	Subway Style sink with pop-up waste in the colour R1 without drilled tap hole.	336102R1	-	-	336102R1

Please note that in the case of the Monumentum, Arena Corner and Solo Corner sinks pre-drilled hole 1 must also be specified in the order if you require several drilled tap holes.

## Sample tap hole overview for Subway Style sink

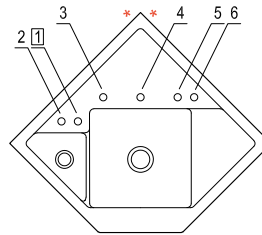


When ordering, please specify the tap hole you would like us to drill for you, by using tap hole reference number (see page 7).

Diameter: ca. 35 mm

Additional charge: 9,00 €/tap hole.

## Sample tap hole overview for Monumentum sink



When ordering, please specify the tap hole you would like us to drill for you, by using tap hole reference number (see page 7).

Diameter: ca. 35 mm

Additional charge: 5.00 £/tap hole.

The tap holes marked with an □ are punched through as standard at the factory.

Hole 6 cannot be used for the pop-up waste

## CERAMIC SINKS: DÉCORS

# BRING YOUR CERAMICS TO LIFE

*La Rose and White Pearl, two charming white-on-white decors available for selected sinks. Inspired by extensive expertise in decorative techniques from the tableware sector, the unique La Rose and White Pearl surface finishes are available exclusively from Villeroy & Boch.*

*The new Mosaïque décor is inspired by Villeroy & Boch's famous ceramic Mettlach tiles. Many of the original pieces can still be seen today - at locations steeped in history such as Cologne Cathedral or the Holland Tunnel under the Hudson River in New York. Fascinatingly three-dimensional and unique in its effect, the décor embellishes the butler sink with a fine geometric pattern to make it the centrepiece of the modern kitchen.*



**WHITE PEARL DÉCOR**

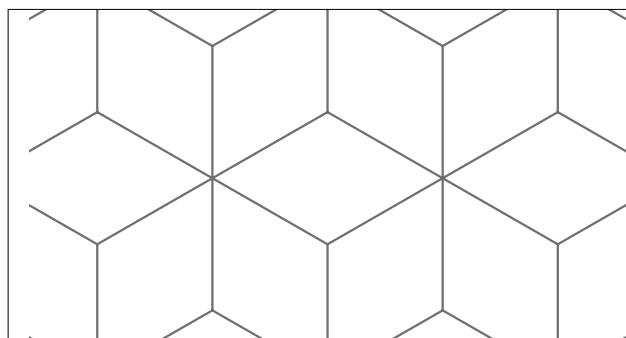


**MOSAÏQUE DÉCOR**



**WHITE PEARL DÉCOR**

Art.no.	on tap ledge
6323	Butler sink 90 cm
6320	Butler sink 60 cm



**MOSAÏQUE DÉCOR**

Art.no.	at the front
6323	Butler sink 90 cm
6320	Butler sink 60 cm

Our décors are only available for the basic colour White Alpin (glossy) and for Butler sinks.

# CERAMIC SINKS: ADVANTAGES

## A VERY SPECIAL MATERIAL

*Kitchen sinks are subject to considerable stress because contact with acidic foods, sharp kitchen implements and hot pans is part and parcel of everyday life. This makes the quality of the material all the more important. With a ceramic sink from Villeroy & Boch, you benefit from 270 years of experience, revolutionary production techniques and 100% natural raw materials. For maximum comfort, minimum maintenance and unparalleled durability.*



### 1. SCRATCH- AND KNIFE-RESISTANT

The high-quality surface is so robust that even knives hardly leave a trace.

### 2. ACID-RESISTANT

Our ceramic easily withstands contact with acidic foods or household cleaning agents.



### 3. HEAT-RESISTANT

Hot oven dishes don't leave a mark on Villeroy & Boch ceramic sinks.

### 4. SHOCK-RESISTANT

Thanks to the great material stability, the sinks are impact-resistant, even when heavy pots and pans are placed on them.



### 5. HYGIENIC AND FOOD-SAFE

The natural material does not take on flavours or smells and so is absolutely food safe.



### 6. STAIN-PROOF

Food and drinks don't leave any trace on the surface of our ceramic sinks.



### 7. LIGHTFAST IN EACH COLOUR

Even after long-term exposure to direct sunlight, our ceramic colours stay as vivid as on the very first day.



### 8. ESPECIALLY EASY TO CLEAN

Our ceramic is very easy to clean. Thanks to the CeramicPlus finish, dirt and limescale almost disappear of their own accord.



## VILLEROY & BOCH: SUSTAINABILITY

# RESPONSIBLE: ENVIRONMENTAL PROTECTION IS SECOND NATURE TO VILLEROY & BOCH

*Environmental protection is self-evident for Villeroy & Boch, and all relevant process are controlled and linked worldwide by a central environment management unit. With a view to developing innovative production processes and solutions making more efficient use of energy and raw materials, reducing emissions and extending the service life of products – well beyond the levels set by laws and regulations.*

### SOME OF VILLEROY & BOCH'S ENVIRONMENTAL ACTIVITIES:

- Continual reduction of waste water at all plants
- 40% reduction in CO<sub>2</sub> emissions in Mettlach since 2005
- EMAS (Eco Management and Audit Scheme) validation
- One of the first ceramics manufacturers worldwide to be awarded ISO 9001 certification
- Certification in accordance with international environmental management standard ISO 14001 and energy management standard DIN EN ISO 50001
- Quality assurance in accordance with REACH regulation (EC) No. 1907/2006
- (Registration, Evaluation, Authorisation and Restriction of Chemicals)



**EMAS-Validierung**  
(Eco Management  
And Audit Scheme)



Bend in the Saar close to the headquarters of Villeroy & Boch AG in Mettlach

## VILLEROY & BOCH: INNOVATIONS

# INNOVATIONS FOR UNIQUE QUALITY

*Villeroy & Boch product development focuses on sophisticated designs with outstanding product properties. In the kitchen in particular, stability and hygiene are crucial. Two Villeroy & Boch innovations offer clear advantages:*

### TITANCERAM

*Villeroy & Boch's answer to the question of future materials is to fuse selected natural raw materials such as feldspar, quartz, clay and titaniumdioxide to create the innovative TitanCeram. For the first time, this material permits the manufacture of products with a unique, precise design and very thin walls, sharply defined edges and all the advantages of first-class ceramics.*

### CERAMICPLUS

*The CeramicPlus finish ensures optimum hygiene and fresh cleanliness on kitchen surfaces: liquids form beads which simply roll down the drain. Dirt and limescale are virtually unable to gain a hold. So cleaning is quick and easy without the use of any agents that are harmful to the environment.*



Conventional ceramics



CeramicPlus finish



Ceramics from master craftsmen

# SUBWAY STYLE

Maximum utility in a minimum of space



- Subway Style 60 S - "form follows function" - the on-trend and functional sink area
- Additional functional level thanks to all-round ledge in the sink to support practical accessories
- Smart accessories allow use at various levels for enhanced user-friendliness
- Coordinated accessories in space-saving design, ideal for conveniently preparing food in the sink area
- The scope of delivery includes the high-quality draining rack

The smart tool for planning and personal selling  
Now for kitchen sinks and tap fittings, too!



Full info also available at:  
[pro.villeroy-boch.com/villeroybochapp-kueche](http://pro.villeroy-boch.com/villeroybochapp-kueche)



# VILLEROY & BOCH APP

## THE VILLEROY & BOCH APP



CURRENT DELIVERY  
INFORMATION AND PRICES



CONFIGURATOR BRINGS  
CUSTOMERS' WISHES TO LIFE



DATA SHEETS AND  
INSTALLATION INSTRUCTIONS



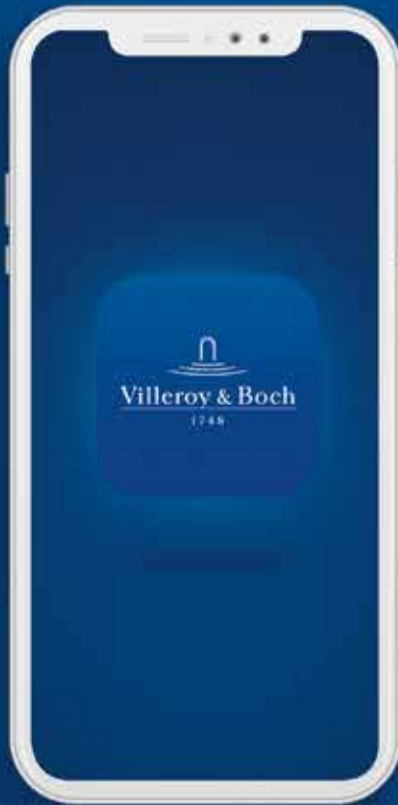
PRODUCT SUGGESTIONS  
TO BOOST SALES



SAMPLE FOLDER CREATED  
AUTOMATICALLY



OPTIONAL  
OFFLINE MODE



## THE SMART TOOL FOR PLANNING AND CONSULTATION

Now you have the full information on Villeroy & Boch bathrooms at your fingertips. A glance at your smartphone, tablet or PC is all it takes to find current dimensions and prices while you're out and about or to configure model variants and check availability while advising customers.



For smartphone, tablet and PC.  
Find out more: [pro.villeroy-boch.com/villeroybochapp](http://pro.villeroy-boch.com/villeroybochapp)

# CERAMIC SINKS: THE RANGE

## Built-in sinks

80 cm Size of undercabinet



### Architettura 80

1160x510 mm  
3380 (17)



### Subway 80

1160x510 mm  
6726 (18)

## Built-in and undercounter sinks

60 cm Size of undercabinet



### Architettura 60

1000x510 mm  
3360 (19)



### Architettura 60 XR

1000x510 mm  
3365 (20)



### Condor 60

1000x510 mm  
6759 (21)



### Flavia 60

1010x510 mm  
3304 (22)



### Siluet 60

1000x510 mm  
3336 (23)



### Siluet 60 R

1000x510 mm  
3337 (24)



### Siluet 60 S

600x510 mm  
3346 (25)



### Subway Style 60

1000x510 mm  
3361 (26)  
3362 (26)



### Subway Style 60 S

600x510 mm  
3366 (27)  
336A (27)



### Subway 60

1000x510 mm  
6712 (28)  
6770 (28)



### Subway 60 S

600x510 mm  
3309 (29)



### Subway 60 XL

1000x510 mm  
6719 (30)  
6718 (30)



### Subway 60 XM

620x510 mm  
6780 (33)



### Timeline 60

1000x510 mm  
6790 (32)



### Cisterna 60C

550x440 mm  
6706 (47)



### Subway 60 SU

545x440 mm  
3310 (50)



### Subway 60 XU

545x440 mm  
6758 (51)

# CERAMIC SINKS: THE RANGE

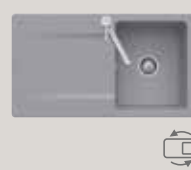
## Built-in and undercounter sinks 50 cm Size of undercabinet



**Architectura 50**  
860x510 mm  
3350 (33)



**Flavia 50**  
900x510 mm  
3305 (34)



**Siluet 50**  
900x510 mm  
3335 (35)



**Siluet 50 S**  
510x510 mm  
3345 (36)



**Subway Style 50**  
900x510 mm  
3351 (37)  
3352 (37)



**Subway 50 S**  
525x510 mm  
3315 (38)



**Timeline 50**  
900x510 mm  
3307 (39)



**Cisterna 50**  
445x445 mm  
6703 (48)



**Subway 50 SU**  
440x440 mm  
3325 (52)

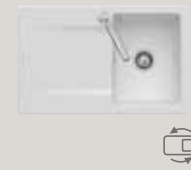
## Built-in and undercounter sinks 45 cm Size of undercabinet



**Architectura 45**  
800x510 mm  
3340 (40)



**Condor 45**  
800x510 mm  
6745 (41)



**Siluet 45**  
800x510 mm  
3334 (42)



**Subway 45 Compact**  
650x510 mm  
3313 (43)  
3312 (43)



**Subway 45**  
780x510 mm  
6714 (44)  
6772 (44)



**Subway 45 XS**  
475x510 mm  
6781 (45)



**Cisterna 45**  
370x435 mm  
6704 (49)



**Subway 45 SU**  
375x440 mm  
3324 (53)

# CERAMIC SINKS: THE RANGE

## Flush-mounted sinks

60 cm Size of undercabinet



**Siluet 60 flat**

980x490 mm  
3336 (56)



**Siluet 60 R flat**

980x490 mm  
3337 (57)



**Siluet 60 S flat**

580x490 mm  
3346 (58)



**Subway Style 60 Flat**

980x490 mm  
3361 (59)  
3362 (59)



**Subway Style 60 S Flat**

580x490 mm  
3366 (60)  
336A (60)



**Subway 60 flat**

965x475 mm  
6712 (61)  
6770 (61)



**Subway 60 S flat**

565x475 mm  
3309 (62)



**Subway 60 XL flat**

965x475 mm  
6719 (63)  
6718 (63)



**Subway 60 XM flat**

585x475 mm  
6780 (64)



**Timeline 60 flat**

965x475 mm  
6790 (65)

## Flush-mounted sinks

50 cm Size of undercabinet



**Siluet 50 flat**

880x490 mm  
3335 (66)



**Siluet 50 S flat**

490x490 mm  
3345 (67)



**Subway Style 50 Flat**

880x490 mm  
3351 (68)  
3352 (68)



**Subway 50 S flat**

490x475 mm  
3315 (69)



**Timeline 50 flat**

865x475 mm  
3307 (70)

## Flush-mounted sinks

45 cm Size of undercabinet



**Siluet 45 flat**

780x490 mm  
3334 (71)



**Subway 45 flat**

745x475 mm  
6714 (72)  
6772 (72)



**Subway 45 XS flat**

440x475 mm  
6781 (73)

# CERAMIC SINKS: THE RANGE

## Modules



### Monumentum

896x896 mm  
3303 (75)



### Double-bowl sink

895x630 mm  
6323 (76)



### Single-bowl sink

595x630 mm  
6320 (77)



### Farmhouse 90 X

900x550 mm  
6390 (78)



### Farmhouse 80 X

795x500 mm  
6380 (79)



### Farmhouse 60 X

595x500 mm  
6360 (80)

## Corner sinks



### Arena corner

975x625 mm  
6729 (81)



### Solo corner

1075x600 mm  
6708 (82)



# ARCHITECTURA 80



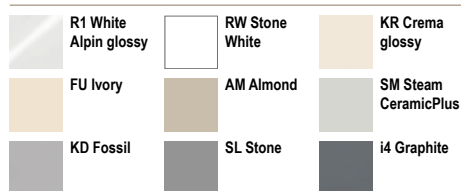
- **The sink is reversible**
- For surface-mounted installation
- Minimum width of undersink cabinet: 80 cm
- 2 basins, closable
- Compatible with all soap dispensers on page 100
- Further selection of cover caps for double turn lever on page 104



BUILT-IN SINKS

Ref.	Description (for XX, please enter colour number)	€ excl. VAT	
		Classicline	Premiumline
3380 01 XX	Sink inclusive Waste system, Round hand-operated	1.197,-	1.344,-
3380 02 XX	Sink inclusive Waste system, Round pop-up	1.288,-	1.434,-

### Classicline CeramicPlus



### Premiumline CeramicPlus

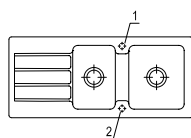


Ref.	Optional accessories / spare parts	Price
9K08 00 K1	Rolling mat, Angular, Stainless steel	132,-
8K36 10 00	Universal cutting board walnut, Angular	200,-
8K00 10 00	Universal beechwood cutting board, Angular	141,-
8345 47 K1	Inset strainer, Angular, Stainless steel	146,-
9624 15 LC	Cap waste cover, Round, stainless steel	43,-
8223 00 61	Waste system, Round hand-operated, chrome	132,-
8226 10 00	Waste system, Round pop-up	223,-
9K13 00 71	Draining rack, Angular	150,-



### View of holes for tap fittings

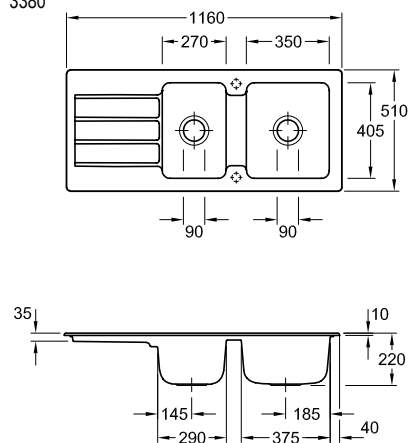
3380



When ordering, please specify the tap hole you would like us to drill for you, by using tap hole reference number (see page 6).  
Diameter: ca. 35 mm  
Additional charge: 9,00 €/model.

### Engineering data

3380



Please refer to the assembly instructions  
Recess in worktop: 113 x 48 cm

# SUBWAY 80

BUILT-IN SINKS

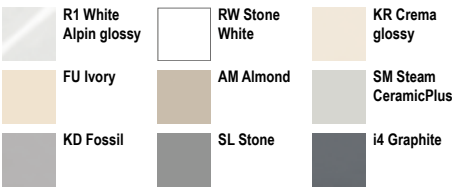


- **The sink is reversible**
- For surface-mounted installation
- Minimum width of undersink cabinet: 80 cm
- 2 basins, closable
- Registered design
- Compatible with all soap dispensers on page 100
- Further selection of cover caps for double turn lever on page 104



Ref.	Description (for XX, please enter colour number)	€ excl. VAT	
		Classicline	Premiumline
6726 01 XX	Sink inclusive Waste system, Round hand-operated	1.543,-	1.741,-
6726 02 XX	Sink inclusive Waste system, Round pop-up	1.634,-	1.832,-

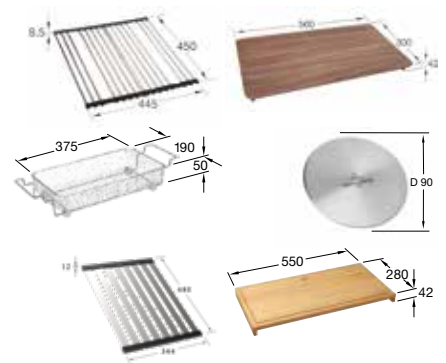
### Classicline CeramicPlus



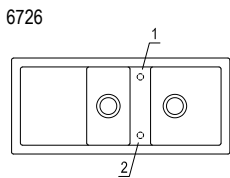
### Premiumline CeramicPlus



Ref.	Optional accessories / spare parts	Price
9K08 00 K1	Rolling mat, Angular, Stainless steel	132,-
8K36 10 00	Universal cutting board walnut, Angular	200,-
8K07 10 00	Accessory set: a universal cutting board made of beech and a stainless steel salad basket	164,-
8345 47 K1	Inset strainer, Angular, Stainless steel	146,-
9624 15 LC	Cap waste cover, Round, stainless steel	43,-
8223 00 61	Waste system, Round hand-operated, chrome	132,-
8226 10 00	Waste system, Round pop-up	223,-
9K13 00 71	Draining rack, Angular	150,-

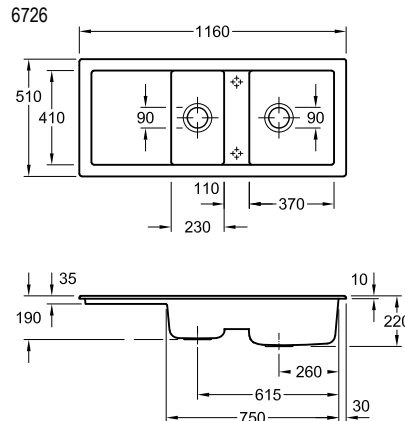


### View of holes for tap fittings



When ordering, please specify the tap hole you would like us to drill for you, by using tap hole reference number (see page 6).  
Diameter: ca. 35 mm  
Additional charge: 9,00 €/model.

### Engineering data



Please refer to the assembly instructions  
Recess in worktop: 113 x 48 cm

# ARCHITECTURA 60



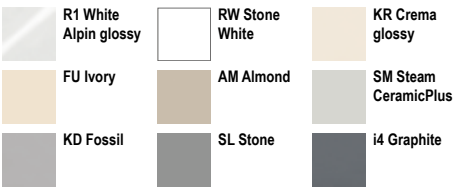
- **The sink is reversible**
- For surface-mounted installation
- Minimum width of undersink cabinet: 60 cm
- Compatible with all soap dispensers on page 100
- Further selection of cover caps for turn lever on page 104



BUILT-IN SINKS

Ref.	Description (for XX, please enter colour number)	€ excl. VAT	
		Classiline	Premiumline
3360 01 XX	Sink inclusive Waste system, Round hand-operated	862,-	965,-
3360 02 XX	Sink inclusive Waste system, Round pop-up	971,-	1.074,-

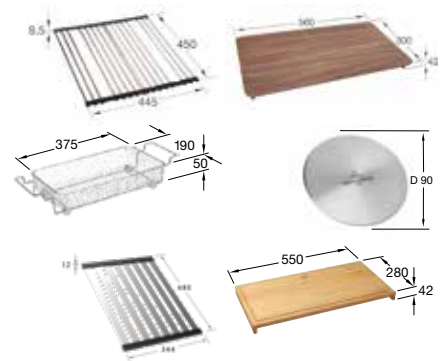
### Classiline CeramicPlus



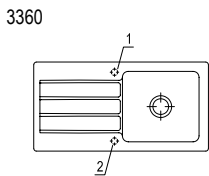
### Premiumline CeramicPlus



Ref.	Optional accessories / spare parts	Price
9K08 00 K1	Rolling mat, Angular, Stainless steel	132,-
8K36 10 00	Universal cutting board walnut, Angular	200,-
8K14 00 00	Accessory set: a universal cutting board made of beech and a stainless steel salad basket	164,-
8345 47 K1	Inset strainer, Angular, Stainless steel	146,-
9624 15 LC	Cap waste cover, Round, stainless steel	43,-
8276 00 61	Waste system, Round hand-operated, chrome	77,-
8286 10 00	Waste system, Round pop-up	186,-
9K13 00 71	Draining rack, Angular	150,-

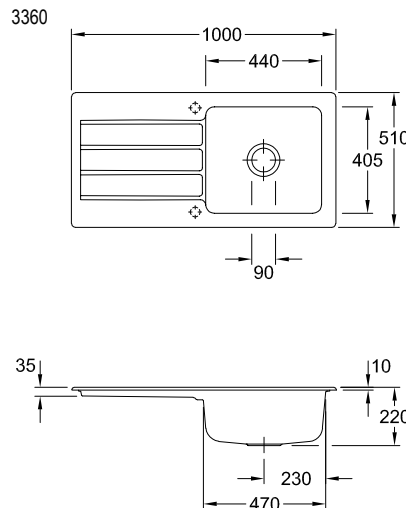


### View of holes for tap fittings



When ordering, please specify the tap hole you would like us to drill for you, by using tap hole reference number (see page 6).  
Diameter: ca. 35 mm  
Additional charge: 9,00 €/model.

### Engineering data



Please refer to the assembly instructions  
Recess in worktop: 97 x 48 cm

# ARCHITECTURA 60 XR

BUILT-IN SINKS



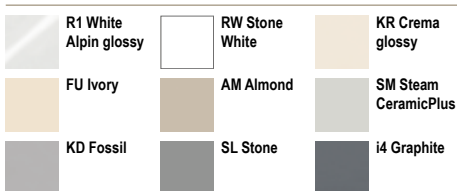
- **The sink is reversible**
- For surface-mounted installation
- Minimum width of undersink cabinet: 60 cm
- 2 basins, closable
- Compatible with steamer container 1/3
- Compatible with all soap dispensers on page 100
- Further selection of cover caps for double turn-lever on page 104



€ excl. VAT

Ref.	Description (for XX, please enter colour number)	Classiline	Premiumline
3365 01 XX	Sink inclusive Waste system, Round hand-operated	879,-	977,-
3365 02 XX	Sink inclusive Waste system, Round pop-up	970,-	1.068,-

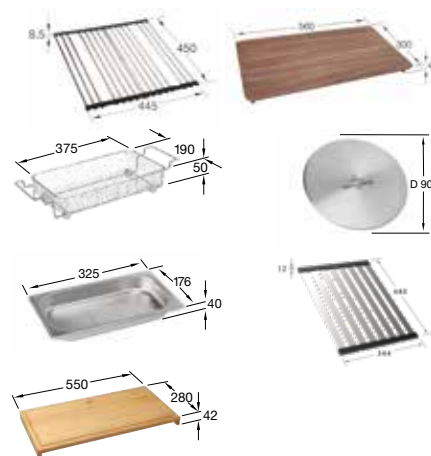
### Classiline CeramicPlus



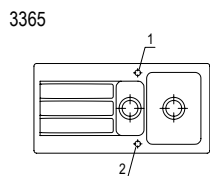
### Premiumline CeramicPlus



Ref.	Optional accessories / spare parts	Price
9K08 00 K1	Rolling mat, Angular, Stainless steel	132,-
8K36 10 00	Universal cutting board walnut, Angular	200,-
8K30 10 00	Accessory set: a universal cutting board made of beech and a stainless steel salad basket	164,-
8345 47 K1	Inset strainer, Angular, Stainless steel	146,-
9624 15 LC	Cap waste cover, Round, stainless steel	43,-
8299 06 K1	Steamer container 1/3, Angular, Stainless steel	56,-
8223 00 61	Waste system, Round hand-operated, chrome	132,-
8226 10 00	Waste system, Round pop-up	223,-
9K13 00 71	Draining rack, Angular	150,-

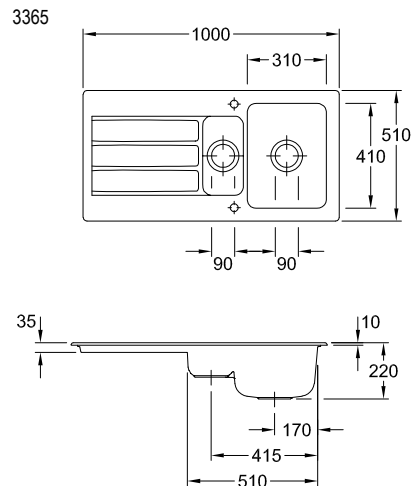


### View of holes for tap fittings



When ordering, please specify the tap hole you would like us to drill for you, by using tap hole reference number (see page 6).  
Diameter: ca. 35 mm  
Additional charge: 9,00 €/model.

### Engineering data



Please refer to the assembly instructions  
Recess in worktop: 97 x 48 cm

# CONDOR 60



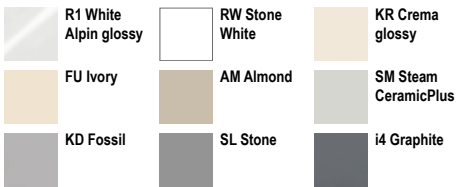
- **The sink is reversible**
- For surface-mounted installation
- Minimum width of undersink cabinet: 60 cm
- Registered design
- Compatible with all soap dispensers on page 100
- Further selection of cover caps for turn lever on page 104



BUILT-IN SINKS

Ref.	Description (for XX, please enter colour number)	€ excl. VAT	
		Classiline	Premiumline
6759 01 XX	Sink inclusive Strainer bowl, Angular and Waste system, Round hand-operated	1.211,-	1.355,-
6759 02 XX	Sink inclusive Strainer bowl, Angular and Waste system, Round pop-up	1.298,-	1.442,-

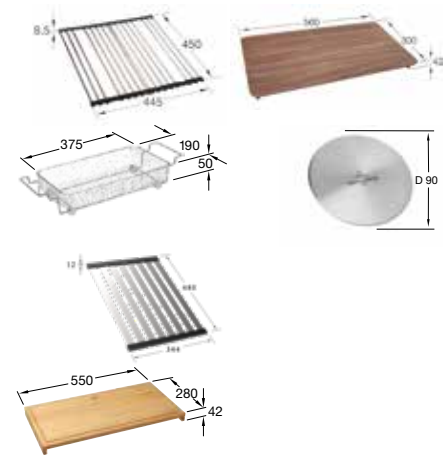
### Classiline CeramicPlus



### Premiumline CeramicPlus

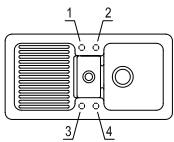


Ref.	Optional accessories / spare parts	Price
9K08 00 K1	Rolling mat, Angular, Stainless steel	132,-
8K36 10 00	Universal cutting board walnut, Angular	200,-
8K02 10 00	Accessory set: a universal cutting board made of beech and a stainless steel salad basket	164,-
8345 47 K1	Inset strainer, Angular, Stainless steel	146,-
9624 15 LC	Cap waste cover, Round, stainless steel	43,-
8214 00 61	Waste system, Round hand-operated, chrome	99,-
8215 10 00	Waste system, Round pop-up	186,-
9K13 00 71	Draining rack, Angular	150,-
8306 00 K2	Strainer bowl, Angular, transparent	61,-



### View of holes for tap fittings

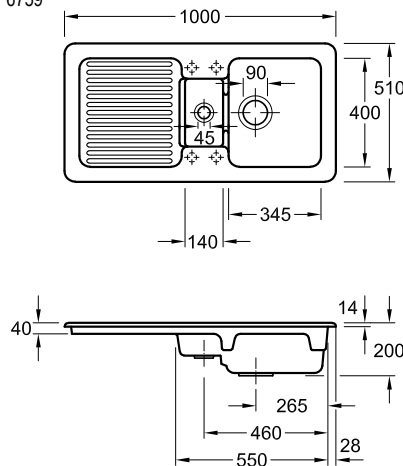
6759



When ordering, please specify the tap hole you would like us to drill for you, by using tap hole reference number (see page 6).  
Diameter: ca. 35 mm  
Additional charge: 9,00 €/model.

### Engineering data

6759



Please refer to the assembly instructions  
Recess in worktop: 97 x 47 cm

# FLAVIA 60

BUILT-IN SINKS

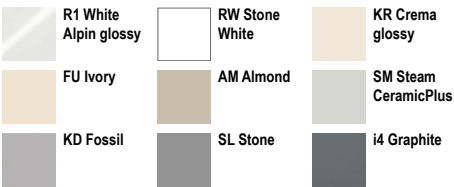


- The sink is reversible
- For surface-mounted installation
- Minimum width of undersink cabinet: 60 cm
- Compatible with all soap dispensers on page 100
- Further selection of cover caps for turn lever on page 104



Ref.	Description (for XX, please enter colour number)	€ excl. VAT	
		Classiline	Premiumline
3304 01 XX	Sink inclusive Waste system, Round hand-operated	1.221,-	1.375,-
3304 02 XX	Sink inclusive Waste system, Round pop-up	1.307,-	1.461,-

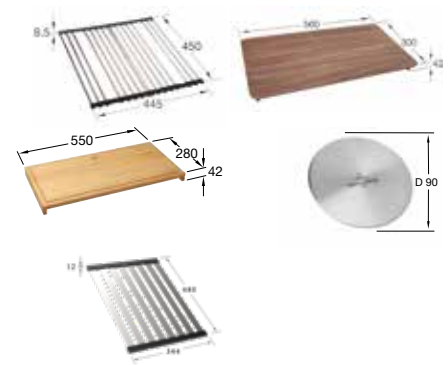
### Classiline CeramicPlus



### Premiumline CeramicPlus

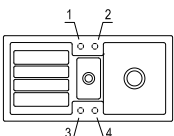


Ref.	Optional accessories / spare parts	Price
9K08 00 K1	Rolling mat, Angular, Stainless steel	132,-
8K36 10 00	Universal cutting board walnut, Angular	200,-
8K00 10 00	Universal beechwood cutting board, Angular	141,-
9624 15 LC	Cap waste cover, Round, stainless steel	43,-
8K92 00 61	Waste system, Round hand-operated, chrome	99,-
8K96 10 00	Waste system, Round pop-up	186,-
9K13 00 71	Draining rack, Angular	150,-



### View of holes for tap fittings

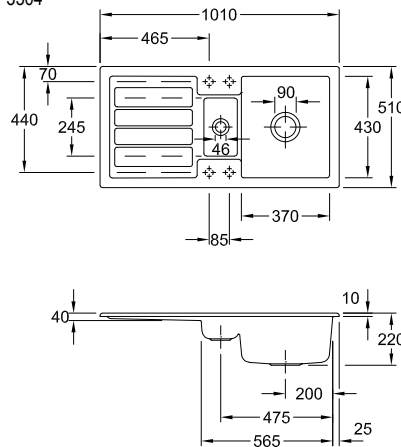
3304



When ordering, please specify the tap hole you would like us to drill for you, by using tap hole reference number (see page 6).  
Diameter: ca. 35 mm  
Additional charge: 9,00 €/model.

### Engineering data

3304



Please refer to the assembly instructions  
Recess in worktop: 98 x 48 cm

# SILUET 60



- **The sink is reversible**
- For surface-mounted installation
- Minimum width of undersink cabinet: 60 cm
- Steamer containers 1/3 and 2/3 compatible with salad basket
- **Material: TitanCeram**
- Compatible with all soap dispensers on page 100
- Further selection of cover caps for turn lever on page 104

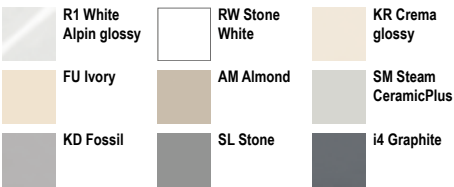


BUILT-IN SINKS

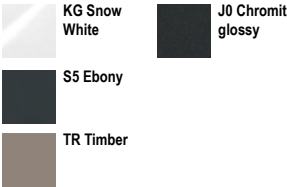
€ excl. VAT

Ref.	Description (for XX, please enter colour number)	Classiline	Premiumline
3336 01 XX	Sink inclusive Waste system, Round hand-operated	1.243,-	1.404,-
3336 02 XX	Sink inclusive Waste system, Round pop-up	1.352,-	1.513,-

### Classiline CeramicPlus



### Premiumline CeramicPlus

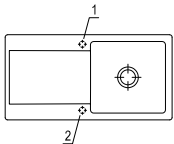


Ref.	Optional accessories / spare parts	Price
9K08 00 K1	Rolling mat, Angular, Stainless steel	132,-
8K36 10 00	Universal cutting board walnut, Angular	200,-
8K00 10 00	Universal beechwood cutting board, Angular	141,-
9K10 00 K1	Salad basket, Angular, Stainless steel	249,-
9624 15 LC	Cap waste cover, Round, stainless steel	43,-
8299 06 K1	Steamer container 1/3, Angular, Stainless steel	56,-
8299 05 K1	Steamer container 2/3, Angular, Stainless steel	77,-
8276 00 61	Waste system, Round hand-operated, chrome	77,-
8286 10 00	Waste system, Round pop-up	186,-
9K13 00 71	Draining rack, Angular	150,-



### View of holes for tap fittings

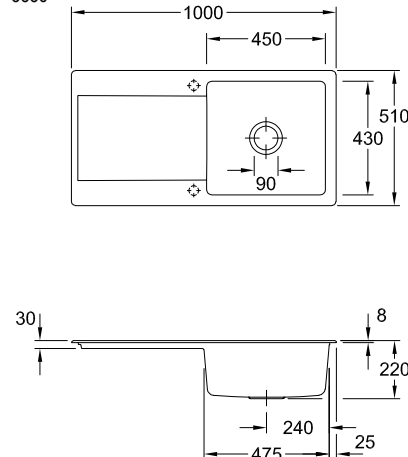
3336



When ordering, please specify the tap hole you would like us to drill for you, by using tap hole reference number (see page 6).  
Diameter: ca. 35 mm  
Additional charge: 9,00 €/model.

### Engineering data

3336



Please refer to the assembly instructions  
Recess in worktop: 97 x 48 cm

# SILUET 60 R

BUILT-IN SINKS



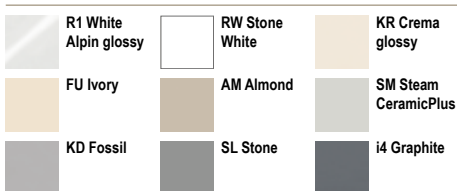
- **The sink is reversible**
- For surface-mounted installation
- Minimum width of undersink cabinet: 60 cm
- Steamer container 1/3, compatible with smaller bowl or salad basket
- **Material: TitanCeram**
- Compatible with all soap dispensers on page 100
- Further selection of cover caps for turn lever on page 104



€ excl. VAT

Ref.	Description (for XX, please enter colour number)	Classicline	Premiumline
3337 01 XX	Sink inclusive Waste system, Round hand-operated	1.375,-	1.552,-
3337 02 XX	Sink inclusive Waste system, Round pop-up	1.461,-	1.638,-

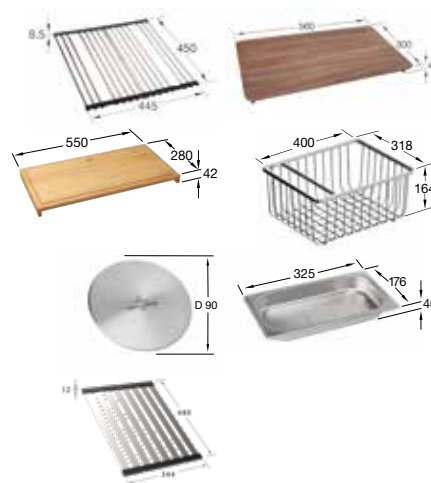
### Classicline CeramicPlus



### Premiumline CeramicPlus

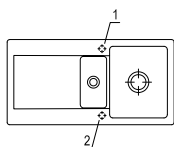


Ref.	Optional accessories / spare parts	Price
9K08 00 K1	Rolling mat, Angular, Stainless steel	132,-
8K36 10 00	Universal cutting board walnut, Angular	200,-
8K00 10 00	Universal beechwood cutting board, Angular	141,-
9K11 00 K1	Salad basket, Angular, Stainless steel	236,-
9624 15 LC	Cap waste cover, Round, stainless steel	43,-
8299 06 K1	Steamer container 1/3, Angular, Stainless steel	56,-
8K92 00 61	Waste system, Round hand-operated, chrome	99,-
8K96 10 00	Waste system, Round pop-up	186,-
9K13 00 71	Draining rack, Angular	150,-



### View of holes for tap fittings

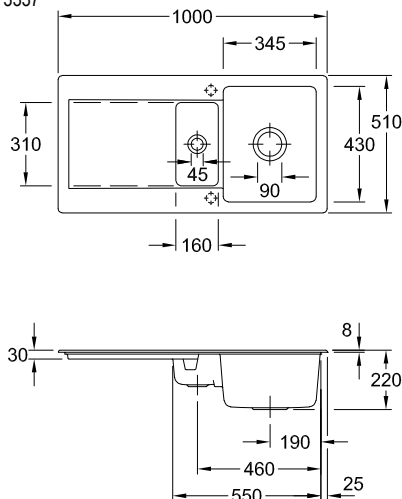
3337



When ordering, please specify the tap hole you would like us to drill for you, by using tap hole reference number (see page 6).  
Diameter: ca. 35 mm  
Additional charge: 9,00 €/model.

### Engineering data

3337



Please refer to the assembly instructions  
Recess in worktop: 97 x 48 cm



# SILUET 60 S



- For surface-mounted installation
- Minimum width of undersink cabinet: 60 cm
- **Material: TitanCeram**
- Compatible with all soap dispensers on page 100
- Further selection of cover caps for turn lever on page 104

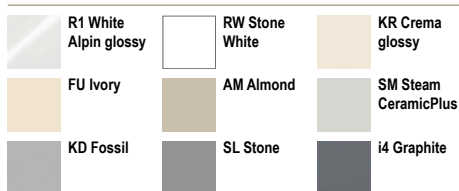


BUILT-IN SINKS

€ excl. VAT

Ref.	Description (for XX, please enter colour number)	Classiline	Premiuline
3346 01 XX	Sink inclusive Waste system hand-operated	1.087,-	1.218,-
3346 02 XX	Sink inclusive Waste system, Round pop-up	1.146,-	1.276,-

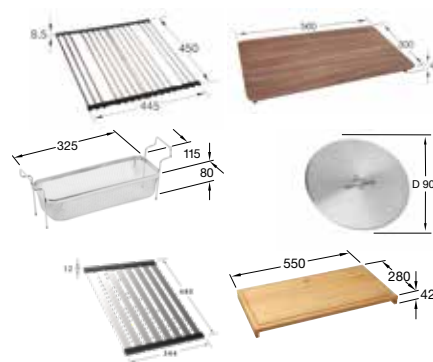
### Classiline CeramicPlus



### Premiuline CeramicPlus



Ref.	Optional accessories / spare parts	Price
9K08 00 K1	Rolling mat, Angular, Stainless steel	132,-
8K36 10 00	Universal cutting board walnut, Angular	200,-
8K09 10 00	Accessory set: a universal cutting board made of beech and a stainless steel salad basket	164,-
9K04 00 K1	Inset strainer, Angular, Stainless steel	75,-
9624 15 LC	Cap waste cover, Round, stainless steel	43,-
8K94 00 61	Waste system hand-operated, chrome	123,-
8K82 10 00	Waste system, Round pop-up	182,-
9K13 00 71	Draining rack, Angular	150,-



### View of holes for tap fittings

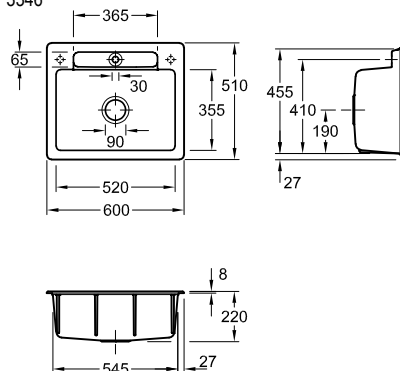
3346



When ordering, please specify the tap hole you would like us to drill for you, by using tap hole reference number (see page 6).  
Diameter: ca. 35 mm  
Additional charge: 9,00 €/model.

### Engineering data

3346



Please refer to the assembly instructions  
Recess in worktop: 57 x 48 cm

# SUBWAY STYLE 60

BUILT-IN SINKS



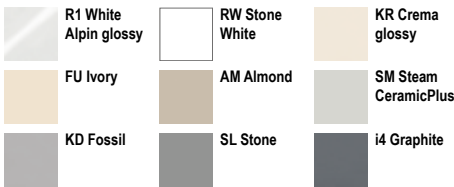
- Available with bowl on the right or left-hand side
- For surface-mounted installation
- Minimum width of undersink cabinet: 60 cm
- Compatible with all soap dispensers on page 100
- Further selection of cover caps for turn lever on page 104



€ excl. VAT

Ref.	Description (for XX, please enter colour number)	Classiline	Premiumline
3361 01 XX	Sink basin right inclusive Waste system, Round hand-operated	1.081,-	1.218,-
3362 01 XX	Sink basin left inclusive Waste system, Round hand-operated	1.081,-	1.218,-
3361 02 XX	Sink basin right inclusive Waste system, Round pop-up	1.190,-	1.326,-
3362 02 XX	Sink basin left inclusive Waste system, Round pop-up	1.190,-	1.326,-

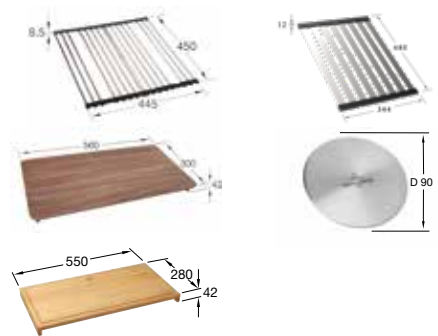
## Classiline CeramicPlus



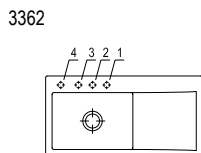
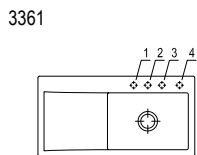
## Premiumline CeramicPlus



Ref.	Optional accessories / spare parts	Price
9K08 00 K1	Rolling mat, Angular, Stainless steel	132,-
9K13 00 71	Draining rack, Angular	150,-
9K13 00 05	Folding draining rack, Angular, anthracite	150,-
8K36 10 00	Universal cutting board walnut, Angular	200,-
8K09 10 00	Accessory set: a universal cutting board made of beech and a stainless steel salad basket	164,-
9624 15 LC	Cap waste cover, Round, stainless steel	43,-
8276 00 61	Waste system, Round hand-operated, chrome	77,-
8286 10 00	Waste system, Round pop-up	186,-

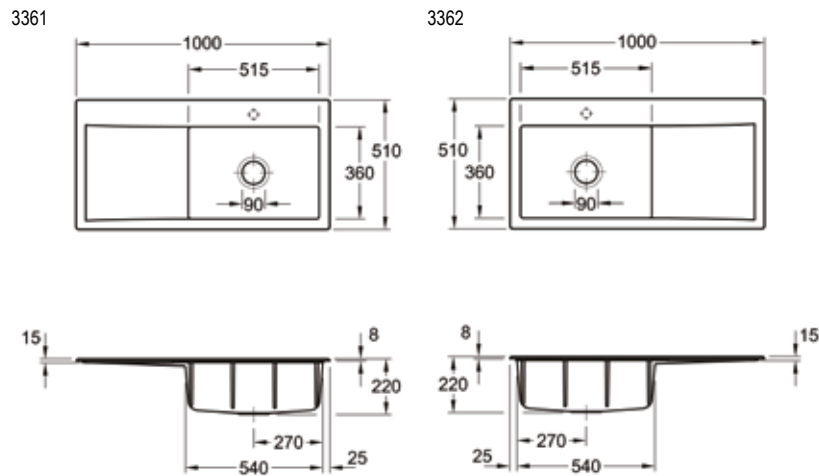


## View of holes for tap fittings



When ordering, please specify the tap hole you would like us to drill for you, by using tap hole reference number (see page 6).  
Diameter: ca. 35 mm  
Additional charge: 9,00 €/model.

## Engineering data



Please refer to the assembly instructions  
Recess in worktop: 97 x 48 cm

NEW

# SUBWAY STYLE 60 S



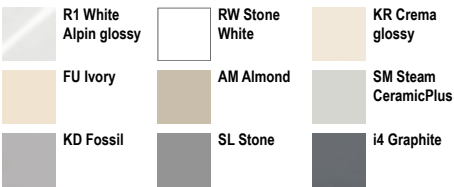
- All-round ledge supports practical accessories
- For surface-mounted installation
- Minimum width of undersink cabinet: 60 cm
- Registered design
- Compatible with all soap dispensers on page 100
- Further selection of cover caps for turn lever on page 104



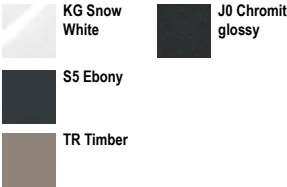
BUILT-IN SINKS

Ref.	Description (for XX, please enter colour number)	€ excl. VAT	
		Classiline	Premiumline
3366 01 XX	Sink inclusive Waste system, Round hand-operated and Draining rack in aluminium brushed	952,-	1.057,-
336A 01 XX	Sink inclusive Waste system, Round hand-operated and Draining rack in anthracite	952,-	1.057,-
3366 02 XX	Sink inclusive Waste system, Round pop-up and Draining rack in aluminium brushed	1.056,-	1.161,-
336A 02 XX	Sink inclusive Waste system, Round pop-up and Draining rack in anthracite	1.056,-	1.161,-

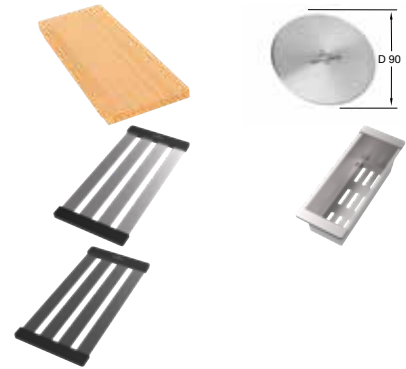
### Classiline CeramicPlus



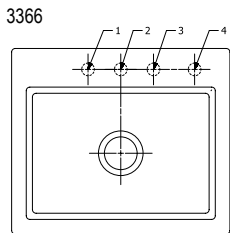
### Premiumline CeramicPlus



Ref.	Optional accessories / spare parts	Price
8K42 10 00	European oak cutting board, Angular	96,-
9624 15 LC	Cap waste cover, Round, stainless steel	43,-
8276 00 61	Waste system, Round hand-operated, chrome	77,-
8286 10 00	Waste system, Round pop-up	186,-
9K14 00 71	Draining rack, Angular, Aluminium brushed	101,-
9K14 00 71	Draining rack, Angular, Anthracite	101,-
8K38 00 K1	Strainer bowl, Angular, Stainless steel	150,-

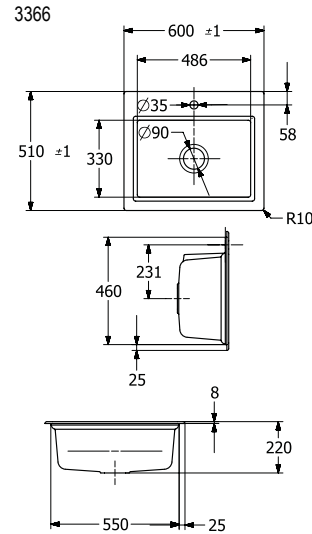


### View of holes for tap fittings



When ordering, please specify the tap hole you would like us to drill for you, by using tap hole reference number (see page 6).  
Diameter: ca. 35 mm  
Additional charge: 9,00 €/model.

### Engineering data



Please refer to the assembly instructions  
Recess in worktop: 57 x 48 cm

# SUBWAY 60

BUILT-IN SINKS

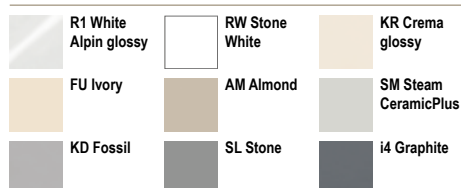


- Available with bowl on the right or left-hand side
- For surface-mounted installation
- Minimum width of undersink cabinet: 60 cm
- Registered design
- Compatible with all soap dispensers on page 100
- Further selection of cover caps for turn lever on page 104



Ref.	Description (for XX, please enter colour number)	€ excl. VAT	
		Classicline	Premiumline
6712 01 XX	Sink basin right inclusive Waste system, Round hand-operated	1.140,-	1.282,-
6770 01 XX	Sink basin left inclusive Waste system, Round hand-operated	1.140,-	1.282,-
6712 02 XX	Sink basin right inclusive Waste system, Round pop-up	1.226,-	1.368,-
6770 02 XX	Sink basin left inclusive Waste system, Round pop-up	1.226,-	1.368,-

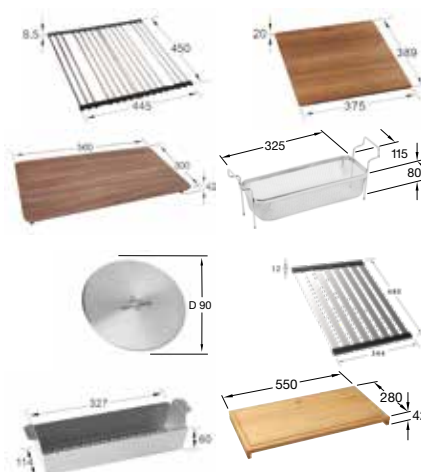
### Classicline CeramicPlus



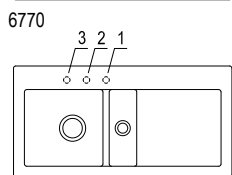
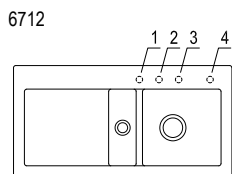
### Premiumline CeramicPlus



Ref.	Optional accessories / spare parts	Price
9K08 00 K1	Rolling mat, Angular, Stainless steel	132,-
8K33 10 00	Cutting board walnut, Angular	174,-
8K36 10 00	Universal cutting board walnut, Angular	200,-
8K04 10 00	Accessory set: a universal cutting board made of beech and a stainless steel salad basket	164,-
9K04 00 K1	Inset strainer, Angular, Stainless steel	75,-
9624 15 LC	Cap waste cover, Round, stainless steel	43,-
8214 00 61	Waste system, Round hand-operated, chrome	99,-
8215 10 00	Waste system, Round pop-up	186,-
9K13 00 71	Draining rack, Angular	150,-
8K37 00 K1	Strainer bowl, Angular, Stainless steel	140,-

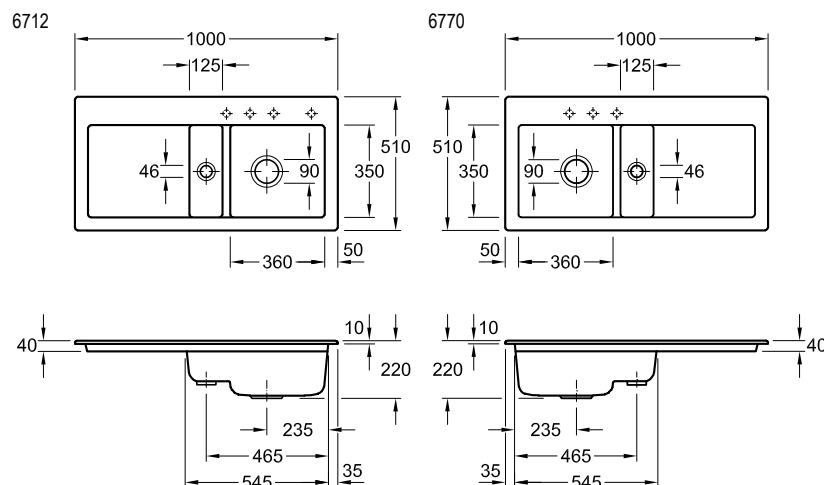


### View of holes for tap fittings



When ordering, please specify the tap hole you would like us to drill for you, by using tap hole reference number (see page 6).  
Diameter: ca. 35 mm  
Additional charge: 9,00 €/model.

### Engineering data



Please refer to the assembly instructions  
Recess in worktop: 97 x 48 cm

# SUBWAY 60 S



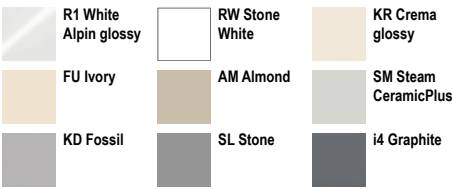
- For surface-mounted installation
- Minimum width of undersink cabinet: 60 cm
- Registered design
- Compatible with all soap dispensers on page 100
- Further selection of cover caps for turn lever on page 104



BUILT-IN SINKS

Ref.	Description (for XX, please enter colour number)	€ excl. VAT	
		Classicline	Premiumline
3309 01 XX	Sink inclusive Waste system, Round hand-operated	974,-	1.095,-
3309 02 XX	Sink inclusive Waste system, Round pop-up	1.083,-	1.204,-

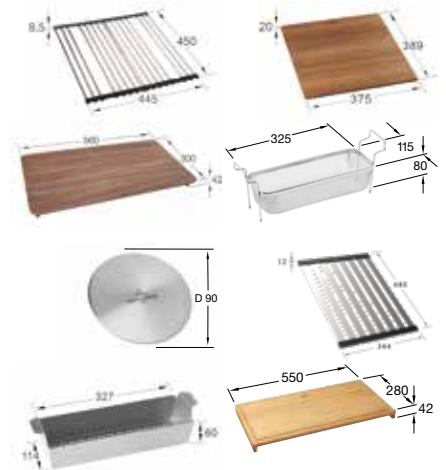
### Classicline CeramicPlus



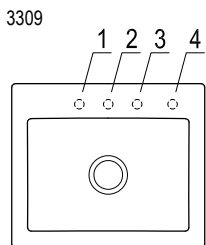
### Premiumline CeramicPlus



Ref.	Optional accessories / spare parts	Price
9K08 00 K1	Rolling mat, Angular, Stainless steel	132,-
8K33 10 00	Cutting board walnut, Angular	174,-
8K36 10 00	Universal cutting board walnut, Angular	200,-
8K09 10 00	Accessory set: a universal cutting board made of beech and a stainless steel salad basket	164,-
9K04 00 K1	Inset strainer, Angular, Stainless steel	75,-
9624 15 LC	Cap waste cover, Round, stainless steel	43,-
8276 00 61	Waste system, Round hand-operated, chrome	77,-
8286 10 00	Waste system, Round pop-up	186,-
9K13 00 71	Draining rack, Angular	150,-
8K37 00 K1	Strainer bowl, Angular, Stainless steel	140,-

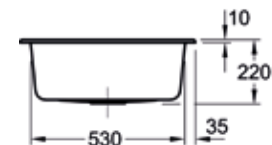
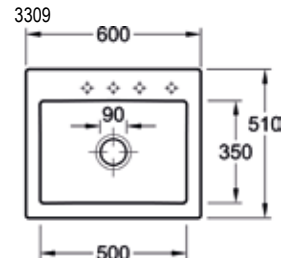


### View of holes for tap fittings



When ordering, please specify the tap hole you would like us to drill for you, by using tap hole reference number (see page 6).  
Diameter: ca. 35 mm  
Additional charge: 9,00 €/model.

### Engineering data



Please refer to the assembly instructions  
Recess in worktop: 57 x 48 cm

# SUBWAY 60 XL

BUILT-IN SINKS

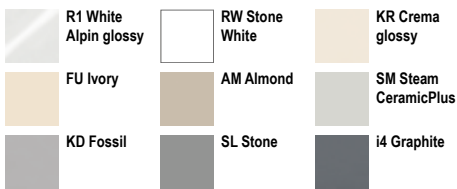


- Available with bowl on the right or left-hand side
- For surface-mounted installation
- Minimum width of undersink cabinet: 60 cm
- Registered design
- Compatible with all soap dispensers on page 100
- Further selection of cover caps for turn lever on page 104

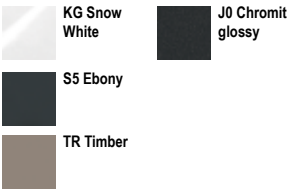


Ref.	Description (for XX, please enter colour number)	€ excl. VAT	
		Classicline	Premiumline
6719 01 XX	Sink basin right inclusive Waste system, Round hand-operated	1.101,-	1.241,-
6718 01 XX	Sink basin left inclusive Waste system, Round hand-operated	1.101,-	1.241,-
6719 02 XX	Sink basin right inclusive Waste system, Round pop-up	1.210,-	1.350,-
6718 02 XX	Sink basin left inclusive Waste system, Round pop-up	1.210,-	1.350,-

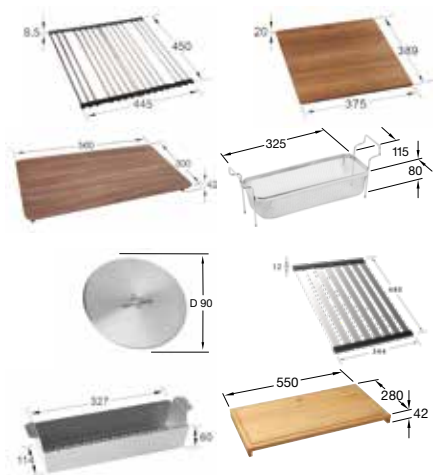
### Classicline CeramicPlus



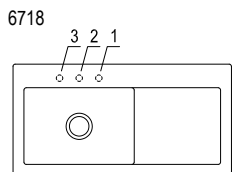
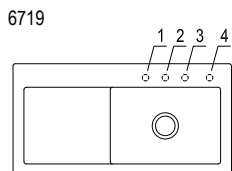
### Premiumline CeramicPlus



Ref.	Optional accessories / spare parts	Price
9K08 00 K1	Rolling mat, Angular, Stainless steel	132,-
8K33 10 00	Cutting board walnut, Angular	174,-
8K36 10 00	Universal cutting board walnut, Angular	200,-
8K09 10 00	Accessory set: a universal cutting board made of beech and a stainless steel salad basket	164,-
9K04 00 K1	Inset strainer, Angular, Stainless steel	75,-
9624 15 LC	Cap waste cover, Round, stainless steel	43,-
8276 00 61	Waste system, Round hand-operated, chrome	77,-
8286 10 00	Waste system, Round pop-up	186,-
9K13 00 71	Draining rack, Angular	150,-
8K37 00 K1	Strainer bowl, Angular, Stainless steel	140,-

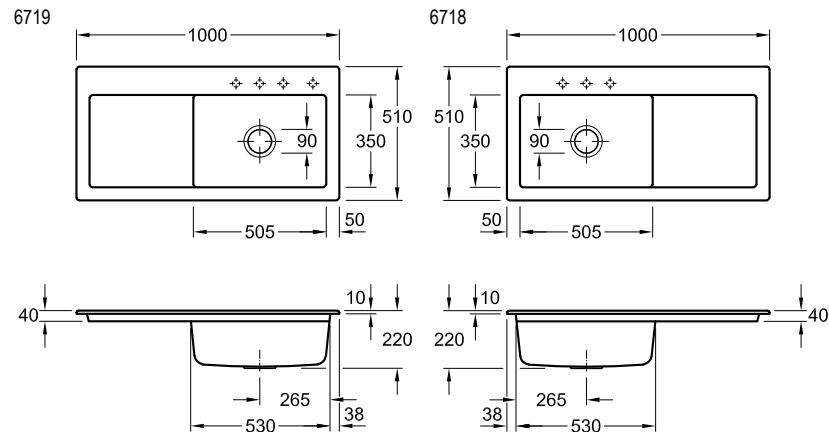


### View of holes for tap fittings



When ordering, please specify the tap hole you would like us to drill for you, by using tap hole reference number (see page 6).  
Diameter: ca. 35 mm  
Additional charge: 9,00 €/model.

### Engineering data



Please refer to the assembly instructions  
Recess in worktop: 97 x 48 cm

# SUBWAY 60 XM



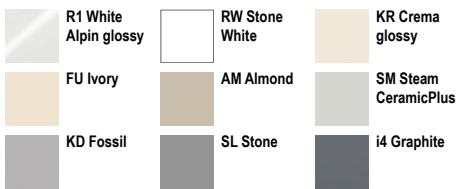
- For surface-mounted installation
- Minimum width of undersink cabinet: 60 cm
- Compatible with all soap dispensers on page 100
- Further selection of cover caps for turn lever on page 104



BUILT-IN SINKS

Ref.	Description (for XX, please enter colour number)	€ excl. VAT	
		Classicline	Premiumline
6780 01 XX	Sink inclusive Waste system, Round hand-operated	1.021,-	1.145,-
6780 02 XX	Sink inclusive Waste system, Round pop-up	1.108,-	1.231,-

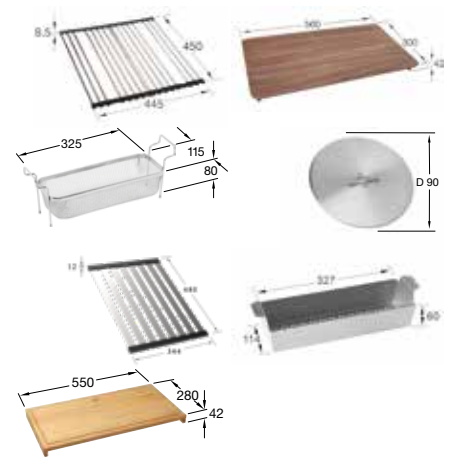
### Classicline CeramicPlus



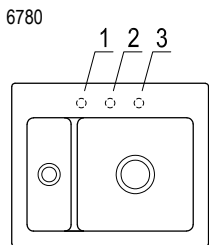
### Premiumline CeramicPlus



Ref.	Optional accessories / spare parts	Price
9K08 00 K1	Rolling mat, Angular, Stainless steel	132,-
8K36 10 00	Universal cutting board walnut, Angular	200,-
8K04 10 00	Accessory set: a universal cutting board made of beech and a stainless steel salad basket	164,-
9K04 00 K1	Inset strainer, Angular, Stainless steel	75,-
9624 15 LC	Cap waste cover, Round, stainless steel	43,-
8214 00 61	Waste system, Round hand-operated, chrome	99,-
8215 10 00	Waste system, Round pop-up	186,-
9K13 00 71	Draining rack, Angular	150,-
8K37 00 K1	Strainer bowl, Angular, Stainless steel	140,-

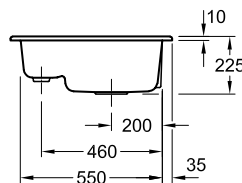
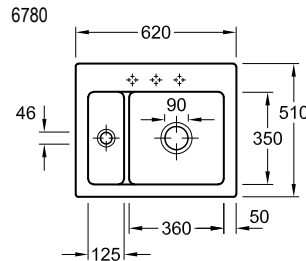


### View of holes for tap fittings



When ordering, please specify the tap hole you would like us to drill for you, by using tap hole reference number (see page 6).  
Diameter: ca. 35 mm  
Additional charge: 9,00 €/model.

### Engineering data



Please refer to the assembly instructions  
Recess in worktop: 59 x 48 cm

# TIMELINE 60

BUILT-IN SINKS



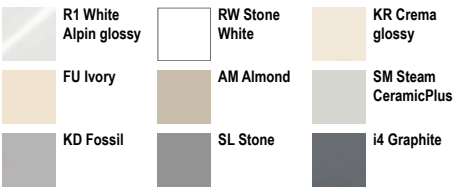
- **The sink is reversible**
- For surface-mounted installation
- Minimum width of undersink cabinet: 60 cm
- Compatible with all soap dispensers on page 100
- Further selection of cover caps for turn lever on page 104



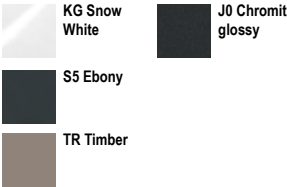
€ excl. VAT

Ref.	Description (for XX, please enter colour number)	Classicline	Premiumline
6790 01 XX	Sink inclusive Waste system, Round hand-operated	1.182,-	1.334,-
6790 02 XX	Sink inclusive Waste system, Round pop-up	1.291,-	1.443,-

### Classicline CeramicPlus



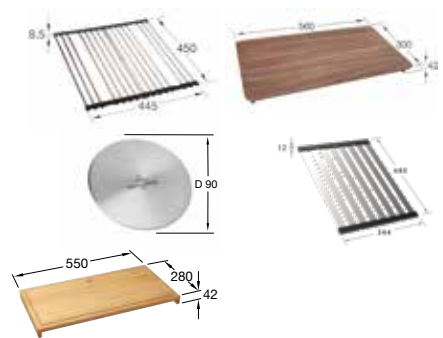
### Premiumline CeramicPlus



### Trendline CeramicPlus

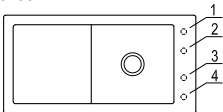
KW La Rose CeramicPlus

Ref.	Optional accessories / spare parts	Price
9K08 00 K1	Rolling mat, Angular, Stainless steel	132,-
8K36 10 00	Universal cutting board walnut, Angular	200,-
8K14 00 00	Accessory set: a universal cutting board made of beech and a stainless steel salad basket	164,-
9624 15 LC	Cap waste cover, Round, stainless steel	43,-
8276 00 61	Waste system, Round hand-operated, chrome	77,-
8286 10 00	Waste system, Round pop-up	186,-
9K13 00 71	Draining rack, Angular	150,-



### View of holes for tap fittings

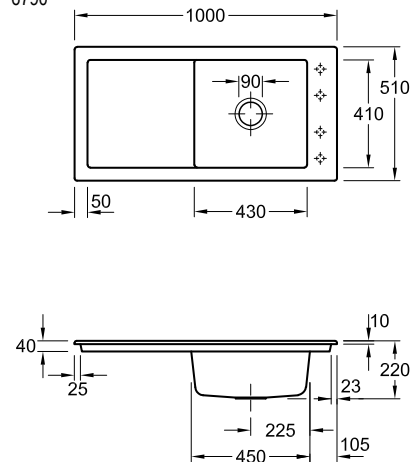
6790



When ordering, please specify the tap hole you would like us to drill for you, by using tap hole reference number (see page 6).  
Diameter: ca. 35 mm  
Additional charge: 9,00 €/model.

### Engineering data

6790



Please refer to the assembly instructions  
Recess in worktop: 97 x 48 cm



# ARCHITECTURA 50



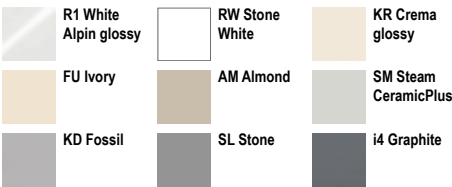
- **The sink is reversible**
- For surface-mounted installation
- Minimum width of undersink cabinet: 50 cm
- Compatible with all soap dispensers on page 100
- Further selection of cover caps for turn lever on page 104



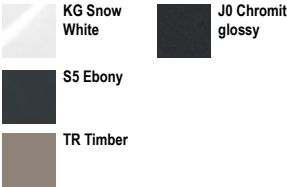
BUILT-IN SINKS

Ref.	Description (for XX, please enter colour number)	€ excl. VAT	
		Classicline	Premiumline
3350 01 XX	Sink inclusive Waste system, Round hand-operated	765,-	854,-
3350 02 XX	Sink inclusive Waste system, Round pop-up	874,-	963,-

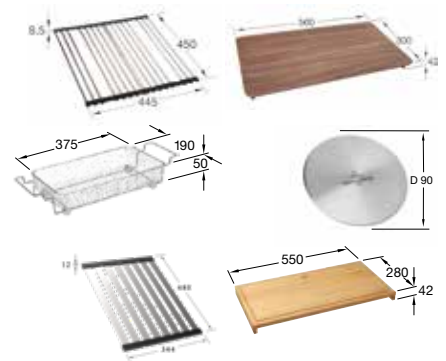
### Classicline CeramicPlus



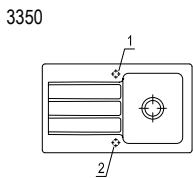
### Premiumline CeramicPlus



Ref.	Optional accessories / spare parts	Price
9K08 00 K1	Rolling mat, Angular, Stainless steel	132,-
8K36 10 00	Universal cutting board walnut, Angular	200,-
8K99 10 00	Accessory set: a universal cutting board made of beech and a stainless steel salad basket	164,-
8345 47 K1	Inset strainer, Angular, Stainless steel	146,-
9624 15 LC	Cap waste cover, Round, stainless steel	43,-
8276 00 61	Waste system, Round hand-operated, chrome	77,-
8286 10 00	Waste system, Round pop-up	186,-
9K13 00 71	Draining rack, Angular	150,-

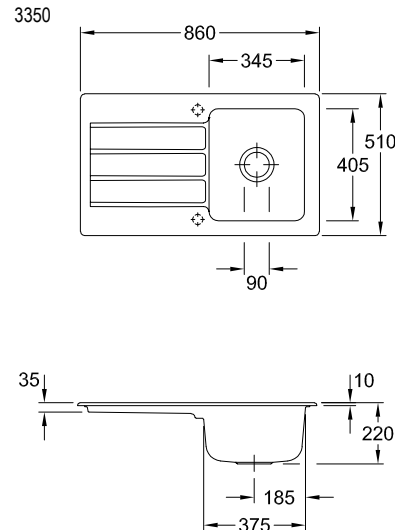


### View of holes for tap fittings



When ordering, please specify the tap hole you would like us to drill for you, by using tap hole reference number (see page 6).  
Diameter: ca. 35 mm  
Additional charge: 9,00 €/model.

### Engineering data



Please refer to the assembly instructions  
Recess in worktop: 83 x 48 cm

# FLAVIA 50

BUILT-IN SINKS



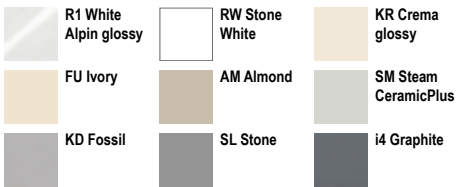
- **The sink is reversible**
- For surface-mounted installation
- Minimum width of undersink cabinet: 50 cm
- Compatible with all soap dispensers on page 100
- Further selection of cover caps for turn lever on page 104



€ excl. VAT

Ref.	Description (for XX, please enter colour number)	Classicline	Premiumline
3305 01 XX	Sink inclusive Waste system, Round hand-operated	1.079,-	1.212,-
3305 02 XX	Sink inclusive Waste system, Round pop-up	1.165,-	1.299,-

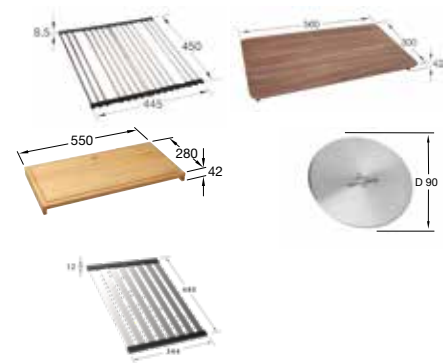
### Classicline CeramicPlus



### Premiumline CeramicPlus

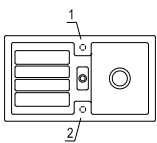


Ref.	Optional accessories / spare parts	Price
9K08 00 K1	Rolling mat, Angular, Stainless steel	132,-
8K36 10 00	Universal cutting board walnut, Angular	200,-
8K00 10 00	Universal beechwood cutting board, Angular	141,-
8K03 10 00	Accessory set: a universal cutting board made of beech and a stainless steel salad basket	164,-
9624 15 LC	Cap waste cover, Round, stainless steel	43,-
8K93 00 61	Waste system, Round hand-operated, chrome	99,-
8K97 10 00	Waste system, Round pop-up	186,-
9K13 00 71	Draining rack, Angular	150,-



### View of holes for tap fittings

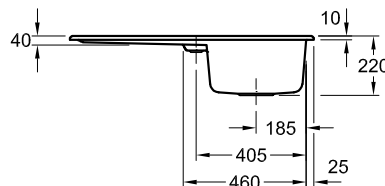
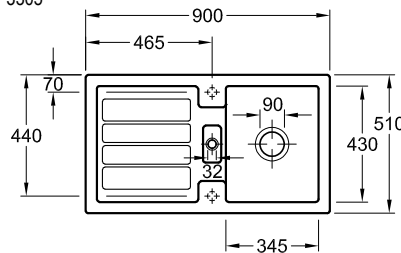
3305



When ordering, please specify the tap hole you would like us to drill for you, by using tap hole reference number (see page 6).  
Diameter: ca. 35 mm  
Additional charge: 9,00 €/model.

### Engineering data

3305



Please refer to the assembly instructions  
Recess in worktop: 87 x 48 cm

# SILUET 50



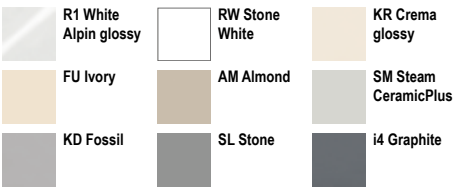
- **The sink is reversible**
- For surface-mounted installation
- Minimum width of undersink cabinet: 50 cm
- Steamer container 1/3 compatible with salad basket
- **Material: TitanCeram**
- Compatible with all soap dispensers on page 100
- Further selection of cover caps for turn lever on page 104



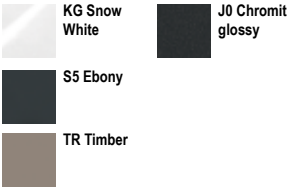
BUILT-IN SINKS

Ref.	Description (for XX, please enter colour number)	€ excl. VAT	
		Classicline	Premiumline
3335 01 XX	Sink inclusive Waste system, Round hand-operated	1.109,-	1.250,-
3335 02 XX	Sink inclusive Waste system, Round pop-up	1.218,-	1.359,-

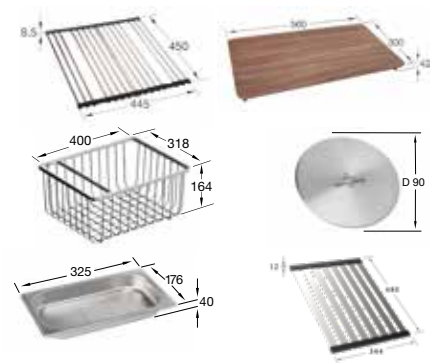
### Classicline CeramicPlus



### Premiumline CeramicPlus

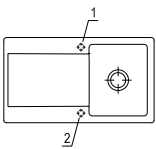


Ref.	Optional accessories / spare parts	Price
9K08 00 K1	Rolling mat, Angular, Stainless steel	132,-
8K36 10 00	Universal cutting board walnut, Angular	200,-
9K11 00 K1	Salad basket, Angular, Stainless steel	236,-
9624 15 LC	Cap waste cover, Round, stainless steel	43,-
8299 06 K1	Steamer container 1/3, Angular, Stainless steel	56,-
8276 00 61	Waste system, Round hand-operated, chrome	77,-
8286 10 00	Waste system, Round pop-up	186,-
9K13 00 71	Draining rack, Angular	150,-



### View of holes for tap fittings

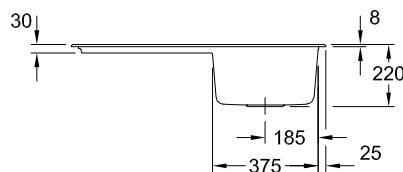
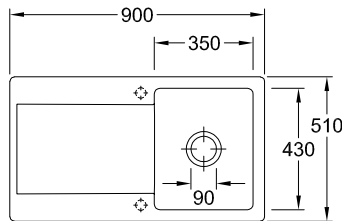
3335



When ordering, please specify the tap hole you would like us to drill for you, by using tap hole reference number (see page 6).  
Diameter: ca. 35 mm  
Additional charge: 9,00 €/model.

### Engineering data

3335



Please refer to the assembly instructions  
Recess in worktop: 87 x 48 cm

# SILUET 50 S

BUILT-IN SINKS



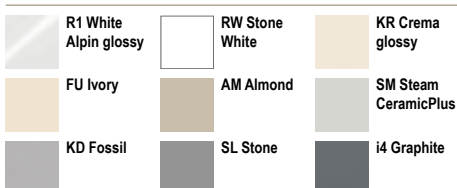
- For surface-mounted installation
- **Flexible installation of the sink: the strainer bowl can be positioned at the back or to either the right- or left-hand side**
- Minimum width of undersink cabinet: 50 cm
- **Material: TitanCeram**
- Compatible with all soap dispensers on page 100
- Further selection of cover caps for turn lever on page 104



€ excl. VAT

Ref.	Description (for XX, please enter colour number)	Classicline	Premiumline
3345 01 XX	Sink inclusive Waste system hand-operated	963,-	1.075,-
3345 02 XX	Sink inclusive Waste system, Round pop-up	1.022,-	1.134,-

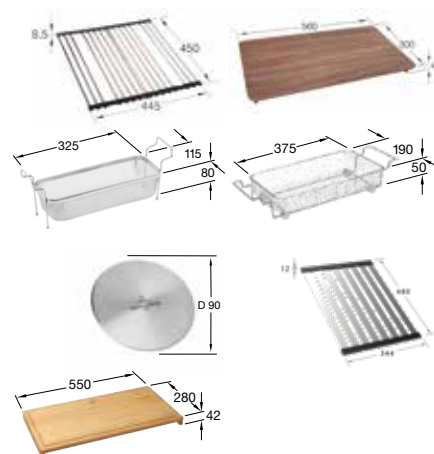
### Classicline CeramicPlus



### Premiumline CeramicPlus

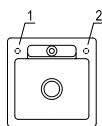


Ref.	Optional accessories / spare parts	Price
9K08 00 K1	Rolling mat, Angular, Stainless steel	132,-
8K36 10 00	Universal cutting board walnut, Angular	200,-
8K99 10 00	Accessory set: a universal cutting board made of beech and a stainless steel salad basket	164,-
9K04 00 K1	Inset strainer, Angular, Stainless steel	75,-
8345 47 K1	Inset strainer, Angular, Stainless steel	146,-
9624 15 LC	Cap waste cover, Round, stainless steel	43,-
8K94 00 61	Waste system hand-operated, chrome	123,-
8K82 10 00	Waste system, Round pop-up	182,-
9K13 00 71	Draining rack, Angular	150,-



### View of holes for tap fittings

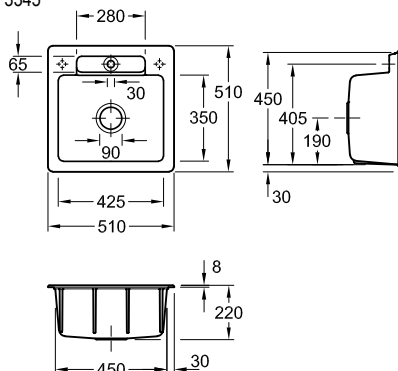
3345



When ordering, please specify the tap hole you would like us to drill for you, by using tap hole reference number (see page 6).  
Diameter: ca. 35 mm  
Additional charge: 9,00 €/model.

### Engineering data

3345



Please refer to the assembly instructions  
Recess in worktop: 48 x 48 cm

# SUBWAY STYLE 50



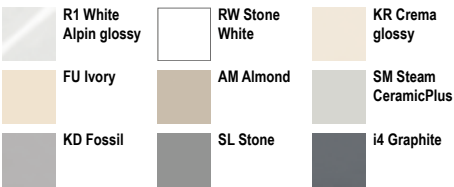
- Available with bowl on the right or left-hand side
- For surface-mounted installation
- Minimum width of undersink cabinet: 50 cm
- Registered design
- Compatible with all soap dispensers on page 100
- Further selection of cover caps for turn lever on page 104



BUILT-IN SINKS

Ref.	Description (for XX, please enter colour number)	€ excl. VAT	
		Classicline	Premiumline
3351 01 XX	Sink basin right inclusive Waste system, Round hand-operated	995,-	1.119,-
3352 01 XX	Sink basin left inclusive Waste system, Round hand-operated	995,-	1.119,-
3351 02 XX	Sink basin right inclusive Waste system, Round pop-up	1.104,-	1.228,-
3352 02 XX	Sink basin left inclusive Waste system, Round pop-up	1.104,-	1.228,-

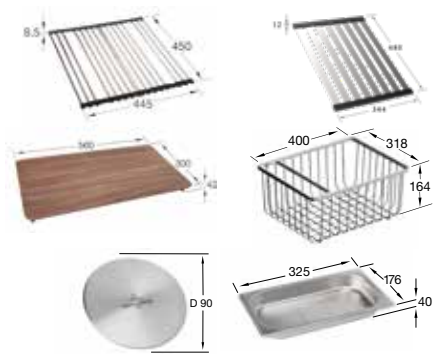
### Classicline CeramicPlus



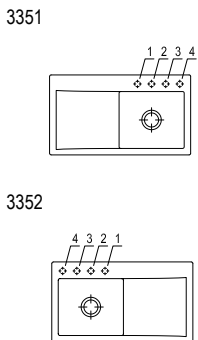
### Premiumline CeramicPlus



Ref.	Optional accessories / spare parts	Price
9K08 00 K1	Rolling mat, Angular, Stainless steel	132,-
9K13 00 71	Draining rack, Angular	150,-
9K13 00 05	Folding draining rack, Angular, anthracite	150,-
8K36 10 00	Universal cutting board walnut, Angular	200,-
9K11 00 K1	Salad basket, Angular, Stainless steel	236,-
9624 15 LC	Cap waste cover, Round, stainless steel	43,-
8299 06 K1	Steamer container 1/3, Angular, Stainless steel	56,-
8276 00 61	Waste system, Round hand-operated, chrome	77,-
8286 10 00	Waste system, Round pop-up	186,-

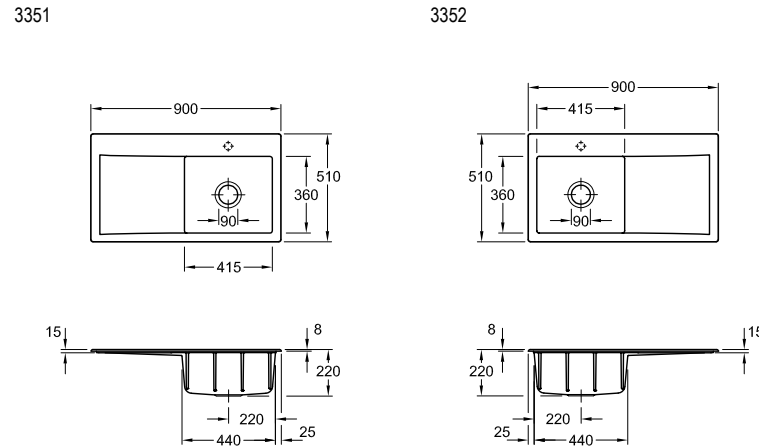


### View of holes for tap fittings



When ordering, please specify the tap hole you would like us to drill for you, by using tap hole reference number (see page 6).  
Diameter: ca. 35 mm  
Additional charge: 9,00 €/model.

### Engineering data



Please refer to the assembly instructions  
Recess in worktop: 87 x 48 cm

# SUBWAY 50 S

BUILT-IN SINKS

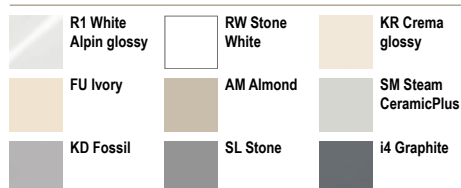


- For surface-mounted installation
- Minimum width of undersink cabinet: 50 cm
- Steamer containers 1/3 and 2/3 compatible with salad basket
- Registered design
- Compatible with all soap dispensers on page 100
- Further selection of cover caps for turn lever on page 104



Ref.	Description (for XX, please enter colour number)	€ excl. VAT	
		Classicline	Premiumline
3315 01 XX	Sink inclusive Waste system, Round hand-operated	864,-	969,-
3315 02 XX	Sink inclusive Waste system, Round pop-up	973,-	1.078,-

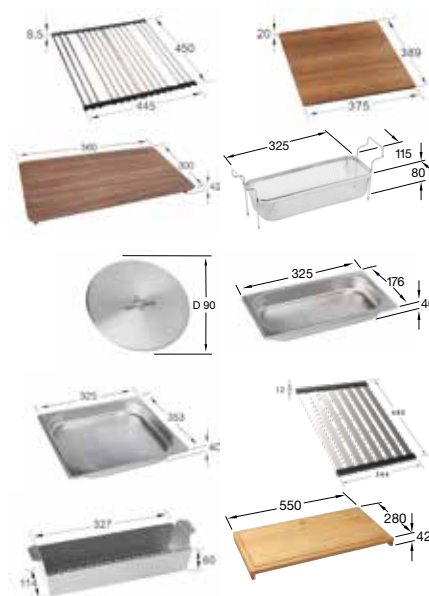
### Classicline CeramicPlus



### Premiumline CeramicPlus

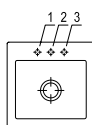


Ref.	Optional accessories / spare parts	Price
9K08 00 K1	Rolling mat, Angular, Stainless steel	132,-
8K33 10 00	Cutting board walnut, Angular	174,-
8K36 10 00	Universal cutting board walnut, Angular	200,-
8K99 10 00	Accessory set: a universal cutting board made of beech and a stainless steel salad basket	164,-
9K04 00 K1	Inset strainer, Angular, Stainless steel	75,-
9624 15 LC	Cap waste cover, Round, stainless steel	43,-
8299 06 K1	Steamer container 1/3, Angular, Stainless steel	56,-
8299 05 K1	Steamer container 2/3, Angular, Stainless steel	77,-
8276 00 61	Waste system, Round hand-operated, chrome	77,-
8286 10 00	Waste system, Round pop-up	186,-
9K13 00 71	Draining rack, Angular	150,-
8K37 00 K1	Strainer bowl, Angular, Stainless steel	140,-



### View of holes for tap fittings

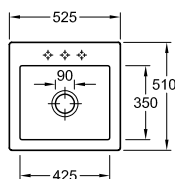
3315



When ordering, please specify the tap hole you would like us to drill for you, by using tap hole reference number (see page 6).  
Diameter: ca. 35 mm  
Additional charge: 9,00 €/model.

### Engineering data

3315



# TIMELINE 50



- The sink is reversible
- For surface-mounted installation
- Minimum width of undersink cabinet: 50 cm
- Compatible with all soap dispensers on page 100
- Further selection of cover caps for turn lever on page 104



BUILT-IN SINKS

Ref.	Description (for XX, please enter colour number)	€ excl. VAT	
		Classicline	Premiumline
3307 01 XX	Sink inclusive Waste system, Round hand-operated	1.054,-	1.187,-
3307 02 XX	Sink inclusive Waste system, Round pop-up	1.163,-	1.295,-

### Classicline CeramicPlus



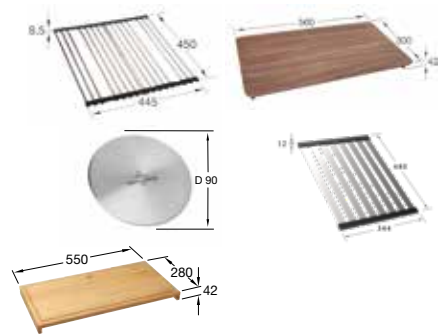
### Premiumline CeramicPlus



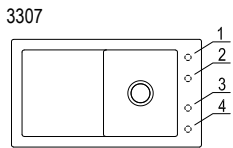
### Trendline CeramicPlus

KW La Rose CeramicPlus

Ref.	Optional accessories / spare parts	Price
9K08 00 K1	Rolling mat, Angular, Stainless steel	132,-
8K36 10 00	Universal cutting board walnut, Angular	200,-
8K29 10 00	Accessory set: a universal cutting board made of beech and a stainless steel salad basket	164,-
9624 15 LC	Cap waste cover, Round, stainless steel	43,-
8276 00 61	Waste system, Round hand-operated, chrome	77,-
8286 10 00	Waste system, Round pop-up	186,-
9K13 00 71	Draining rack, Angular	150,-

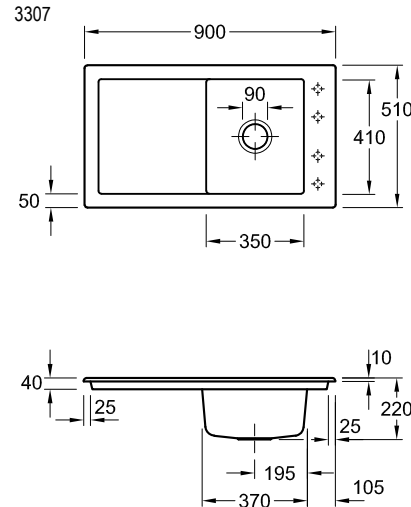


### View of holes for tap fittings



When ordering, please specify the tap hole you would like us to drill for you, by using tap hole reference number (see page 6).  
Diameter: ca. 35 mm  
Additional charge: 9,00 €/model.

### Engineering data



Please refer to the assembly instructions  
Recess in worktop: 87 x 48 cm

# ARCHITECTURA 45

BUILT-IN SINKS



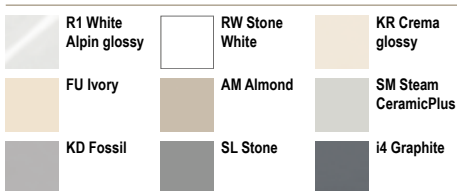
- **The sink is reversible**
- For surface-mounted installation
- Minimum width of undersink cabinet: 45 cm
- Compatible with all soap dispensers on page 100
- Further selection of cover caps for turn lever on page 104



€ excl. VAT

Ref.	Description (for XX, please enter colour number)	Classiline	Premiumline
3340 01 XX	Sink inclusive Waste system, Round hand-operated	741,-	827,-
3340 02 XX	Sink inclusive Waste system, Round pop-up	850,-	936,-

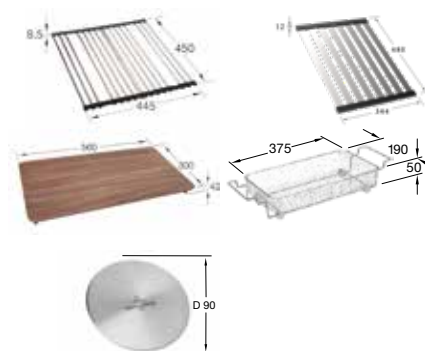
### Classiline CeramicPlus



### Premiumline CeramicPlus

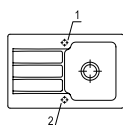


Ref.	Optional accessories / spare parts	Price
9K08 00 K1	Rolling mat, Angular, Stainless steel	132,-
9K13 00 71	Draining rack, Angular	150,-
9K13 00 05	Folding draining rack, Angular, anthracite	150,-
8K36 10 00	Universal cutting board walnut, Angular	200,-
8345 47 K1	Inset strainer, Angular, Stainless steel	146,-
9624 15 LC	Cap waste cover, Round, stainless steel	43,-
8276 00 61	Waste system, Round hand-operated, chrome	77,-
8286 10 00	Waste system, Round pop-up	186,-



### View of holes for tap fittings

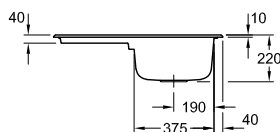
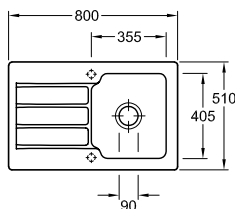
3340



When ordering, please specify the tap hole you would like us to drill for you, by using tap hole reference number (see page 6).  
Diameter: ca. 35 mm  
Additional charge: 9,00 €/model.

### Engineering data

3340



Please refer to the assembly instructions  
Recess in worktop: 77 x 48 cm



# CONDOR 45



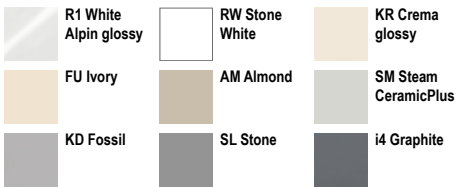
- **The sink is reversible**
- For surface-mounted installation
- Minimum width of undersink cabinet: 45 cm
- Compatible with all soap dispensers on page 100
- Further selection of cover caps for turn lever on page 104



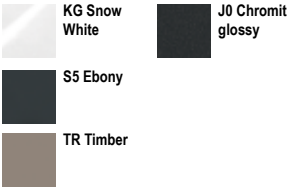
BUILT-IN SINKS

Ref.	Description (for XX, please enter colour number)	€ excl. VAT	
		Classicline	Premiumline
6745 01 XX	Sink inclusive Waste system, Round hand-operated	882,-	986,-
6745 02 XX	Sink inclusive Waste system, Round pop-up	969,-	1.072,-

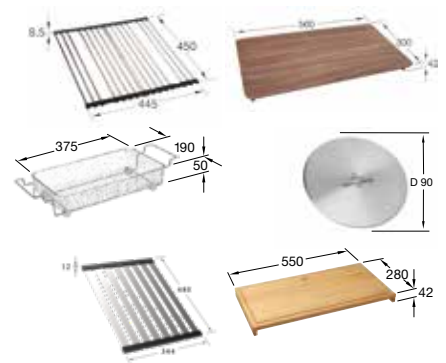
### Classicline CeramicPlus



### Premiumline CeramicPlus

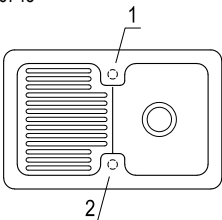


Ref.	Optional accessories / spare parts	Price
9K08 00 K1	Rolling mat, Angular, Stainless steel	132,-
8K36 10 00	Universal cutting board walnut, Angular	200,-
8K30 10 00	Accessory set: a universal cutting board made of beech and a stainless steel salad basket	164,-
8345 47 K1	Inset strainer, Angular, Stainless steel	146,-
9624 15 LC	Cap waste cover, Round, stainless steel	43,-
8231 00 61	Waste system, Round hand-operated, chrome	99,-
8233 10 00	Waste system, Round pop-up	186,-
9K13 00 71	Draining rack, Angular	150,-



### View of holes for tap fittings

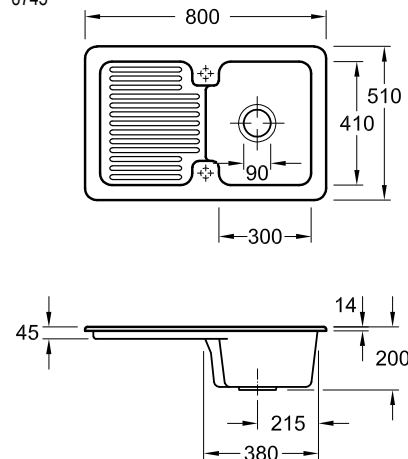
6745



When ordering, please specify the tap hole you would like us to drill for you, by using tap hole reference number (see page 6).  
Diameter: ca. 35 mm  
Additional charge: 9,00 €/model.

### Engineering data

6745



Please refer to the assembly instructions  
Recess in worktop: 76 x 47 cm

# SILUET 45

BUILT-IN SINKS



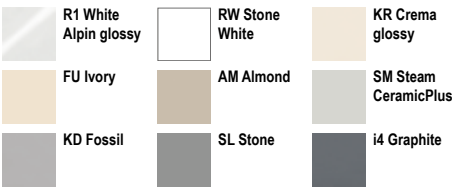
- **The sink is reversible**
- For surface-mounted installation
- Minimum width of undersink cabinet: 45 cm
- Steamer container 1/3 compatible with salad basket
- **Material: TitanCeram**
- Compatible with all soap dispensers on page 100
- Further selection of cover caps for turn lever on page 104



€ excl. VAT

Ref.	Description (for XX, please enter colour number)	Classiline	Premiumline
3334 01 XX	Sink inclusive Waste system, Round hand-operated	968,-	1.087,-
3334 02 XX	Sink inclusive Waste system, Round pop-up	1.077,-	1.196,-

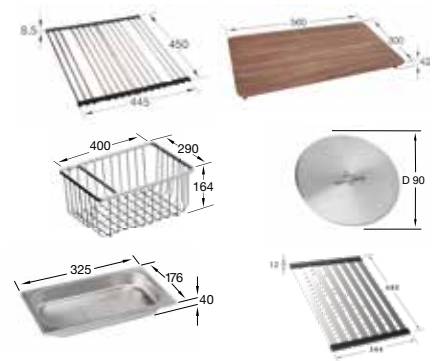
### Classiline CeramicPlus



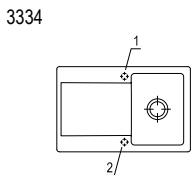
### Premiumline CeramicPlus



Ref.	Optional accessories / spare parts	Price
9K08 00 K1	Rolling mat, Angular, Stainless steel	132,-
8K36 10 00	Universal cutting board walnut, Angular	200,-
9K12 00 K1	Salad basket, Angular, Stainless steel	223,-
9624 15 LC	Cap waste cover, Round, stainless steel	43,-
8299 06 K1	Steamer container 1/3, Angular, Stainless steel	56,-
8276 00 61	Waste system, Round hand-operated, chrome	77,-
8286 10 00	Waste system, Round pop-up	186,-
9K13 00 71	Draining rack, Angular	150,-

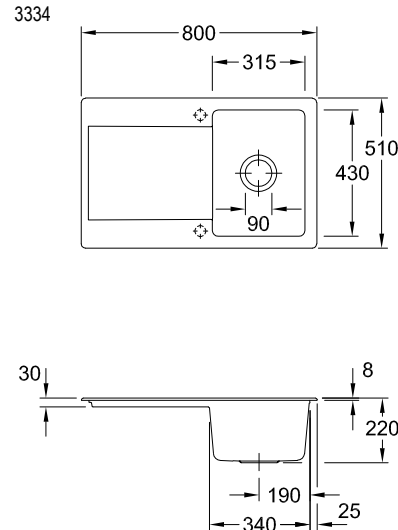


### View of holes for tap fittings



When ordering, please specify the tap hole you would like us to drill for you, by using tap hole reference number (see page 6).  
Diameter: ca. 35 mm  
Additional charge: 9,00 €/model.

### Engineering data



Please refer to the assembly instructions  
Recess in worktop: 77 x 48 cm

# SUBWAY 45 COMPACT



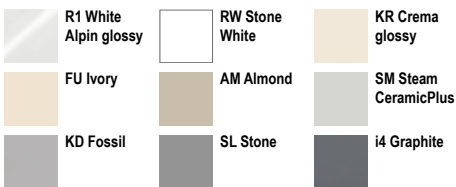
- Available with bowl on the right or left-hand side
- For surface-mounted installation
- Minimum width of undersink cabinet: 45 cm
- Compatible with all soap dispensers on page 100
- Further selection of cover caps for turn lever on page 104



BUILT-IN SINKS

Ref.	Description (for XX, please enter colour number)	€ excl. VAT	
		Classicline	Premiumline
3312 01 XX	Sink basin left inclusive Waste system, Round hand-operated	837,-	938,-
3313 01 XX	Sink basin right inclusive Waste system, Round hand-operated	837,-	938,-
3312 02 XX	Sink basin left inclusive Waste system, Round pop-up	946,-	1.047,-
3313 02 XX	Sink basin right inclusive Waste system, Round pop-up	946,-	1.047,-

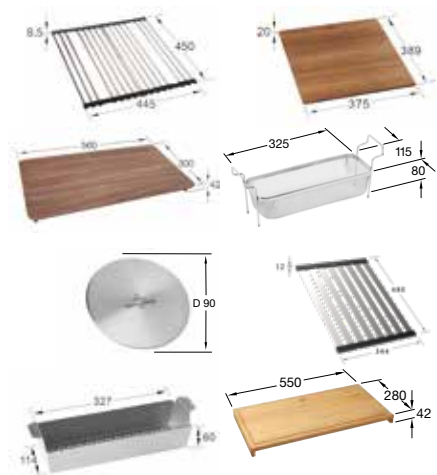
### Classicline CeramicPlus



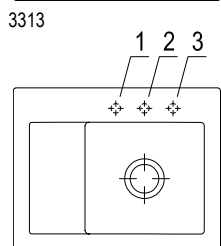
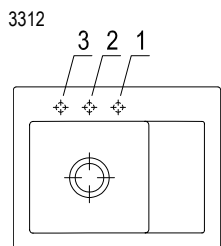
### Premiumline CeramicPlus



Ref.	Optional accessories / spare parts	Price
9K08 00 K1	Rolling mat, Angular, Stainless steel	132,-
8K33 10 00	Cutting board walnut, Angular	174,-
8K36 10 00	Universal cutting board walnut, Angular	200,-
8K06 10 00	Accessory set: a universal cutting board made of beech and a stainless steel salad basket	164,-
9K04 00 K1	Inset strainer, Angular, Stainless steel	75,-
9624 15 LC	Cap waste cover, Round, stainless steel	43,-
8276 00 61	Waste system, Round hand-operated, chrome	77,-
8286 10 00	Waste system, Round pop-up	186,-
9K13 00 71	Draining rack, Angular	150,-
8K37 00 K1	Strainer bowl, Angular, Stainless steel	140,-

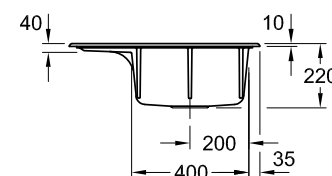
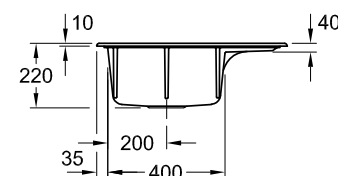
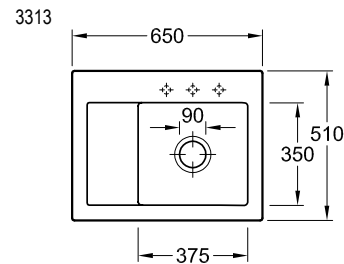
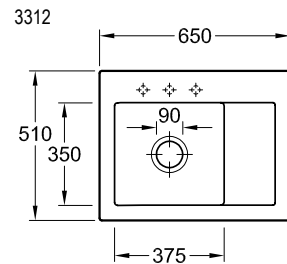


### View of holes for tap fittings



When ordering, please specify the tap hole you would like us to drill for you, by using tap hole reference number (see page 6).  
Diameter: ca. 35 mm  
Additional charge: 9,00 €/model.

### Engineering data



Please refer to the assembly instructions  
Recess in worktop: 62 x 48 cm

# SUBWAY 45

BUILT-IN SINKS

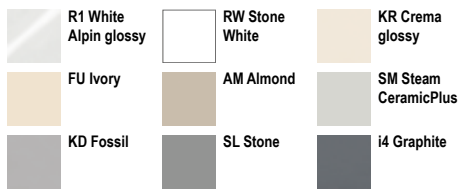


- Available with bowl on the right or left-hand side
- For surface-mounted installation
- Minimum width of undersink cabinet: 45 cm
- Compatible with all soap dispensers on page 100
- Further selection of cover caps for turn lever on page 104



Ref.	Description (for XX, please enter colour number)	€ excl. VAT	
		Classicline	Premiumline
6714 01 XX	Sink basin right inclusive Waste system, Round hand-operated	848,-	949,-
6772 01 XX	Sink basin left inclusive Waste system, Round hand-operated	848,-	949,-
6714 02 XX	Sink basin right inclusive Waste system, Round pop-up	957,-	1.058,-
6772 02 XX	Sink basin left inclusive Waste system, Round pop-up	957,-	1.058,-

### Classicline CeramicPlus



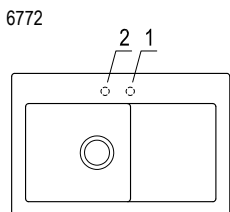
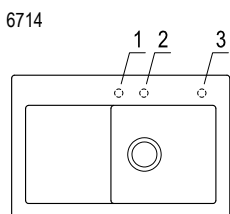
### Premiumline CeramicPlus



Ref.	Optional accessories / spare parts	Price
9K08 00 K1	Rolling mat, Angular, Stainless steel	132,-
8K33 10 00	Cutting board walnut, Angular	174,-
8K36 10 00	Universal cutting board walnut, Angular	200,-
8K06 10 00	Accessory set: a universal cutting board made of beech and a stainless steel salad basket	164,-
9K04 00 K1	Inset strainer, Angular, Stainless steel	75,-
9624 15 LC	Cap waste cover, Round, stainless steel	43,-
8276 00 61	Waste system, Round hand-operated, chrome	77,-
8286 10 00	Waste system, Round pop-up	186,-
9K13 00 71	Draining rack, Angular	150,-
8K37 00 K1	Strainer bowl, Angular, Stainless steel	140,-

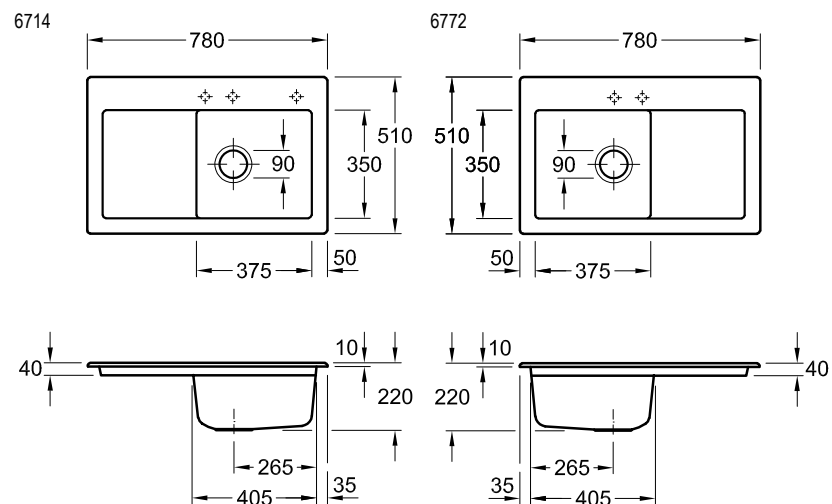


### View of holes for tap fittings



When ordering, please specify the tap hole you would like us to drill for you, by using tap hole reference number (see page 6).  
Diameter: ca. 35 mm  
Additional charge: 9,00 €/model.

### Engineering data



Please refer to the assembly instructions  
Recess in worktop: 74 x 48 cm

# SUBWAY 45 XS



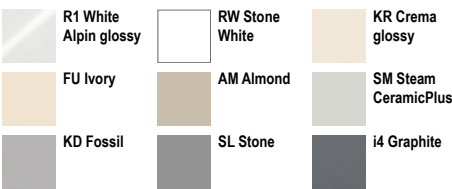
- For surface-mounted installation
- Minimum width of undersink cabinet: 45 cm
- Compatible with all soap dispensers on page 100
- Further selection of cover caps for turn lever on page 104



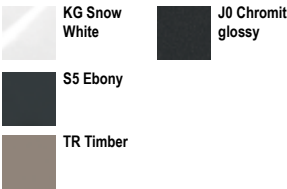
BUILT-IN SINKS

Ref.	Description (for XX, please enter colour number)	€ excl. VAT	
		Classicline	Premiumline
6781 01 XX	Sink inclusive Waste system, Round hand-operated	841,-	941,-
6781 02 XX	Sink inclusive Waste system, Round pop-up	949,-	1.050,-

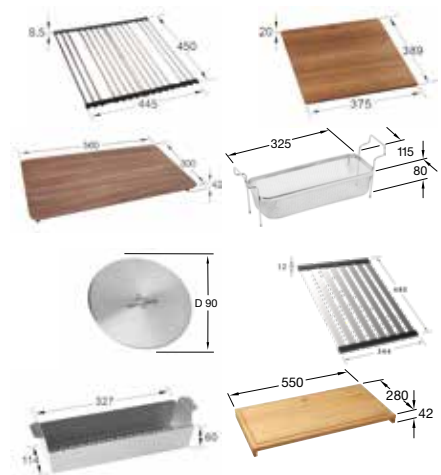
### Classicline CeramicPlus



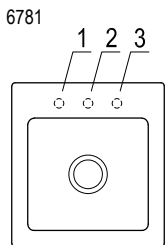
### Premiumline CeramicPlus



Ref.	Optional accessories / spare parts	Price
9K08 00 K1	Rolling mat, Angular, Stainless steel	132,-
8K33 10 00	Cutting board walnut, Angular	174,-
8K36 10 00	Universal cutting board walnut, Angular	200,-
8K06 10 00	Accessory set: a universal cutting board made of beech and a stainless steel salad basket	164,-
9K04 00 K1	Inset strainer, Angular, Stainless steel	75,-
9624 15 LC	Cap waste cover, Round, stainless steel	43,-
8276 00 61	Waste system, Round hand-operated, chrome	77,-
8286 10 00	Waste system, Round pop-up	186,-
9K13 00 71	Draining rack, Angular	150,-
8K37 00 K1	Strainer bowl, Angular, Stainless steel	140,-

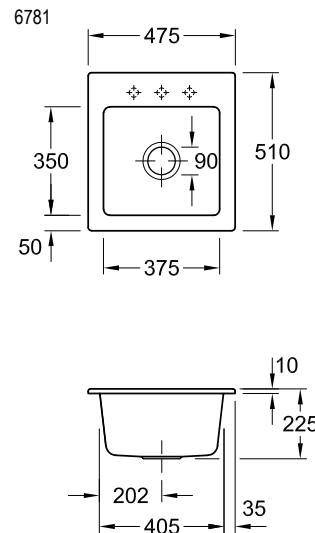


### View of holes for tap fittings



When ordering, please specify the tap hole you would like us to drill for you, by using tap hole reference number (see page 6).  
Diameter: ca. 35 mm  
Additional charge: 9,00 €/model.

### Engineering data



Please refer to the assembly instructions  
Recess in worktop: 44,5 x 48 cm

# UNDERCOUNTER SINKS: OVERVIEW

## Undercounter sinks

60cm Size of undercabinet



**Cisterna 60C**

550x440 mm  
6706 (47)



**Subway 60 SU**

545x440 mm  
3310 (50)



**Subway 60 XU**

545x440 mm  
6758 (51)

## Undercounter sinks

50cm Size of undercabinet



**Cisterna 50**

445x445 mm  
6703 (48)



**Subway 50 SU**

440x440 mm  
3325 (52)

## Undercounter sinks

45cm Size of undercabinet



**Cisterna 45**

370x435 mm  
6704 (49)



**Subway 45 SU**

375x440 mm  
3324 (53)

# CISTERNA 60C

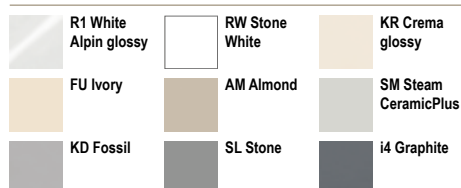


- Installation in natural stone or artificial stone counter-tops
- Minimum width of undersink cabinet: 60 cm
- Registered design
- Possible combinations undercounter see pages XX
- Compatible with all soap dispensers on page 100
- Further selection of cover caps for turn lever on page 104



Ref.	Description (for XX, please enter colour number)	€ excl. VAT	
		Classicline	Premiumline
6706 01 XX	Undercounter sink inclusive Waste system, Round hand-operated and Fastening set	998,-	1.115,-
6706 02 XX	Undercounter sink inclusive Waste system, Round pop-up and Fastening set	1.106,-	1.224,-

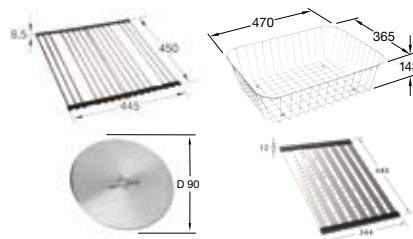
## Classicline CeramicPlus



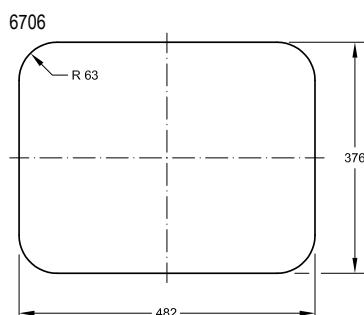
## Premiumline CeramicPlus



Ref.	Optional accessories / spare parts	Price
9K08 00 K1	Rolling mat, Angular, Stainless steel	132,-
8397 00 K1	Salad basket, Angular, Stainless steel	163,-
9624 15 LC	Cap waste cover, Round, stainless steel	43,-
8276 00 61	Waste system, Round hand-operated, chrome	77,-
8286 10 00	Waste system, Round pop-up	186,-
9K13 00 71	Draining rack, Angular	150,-

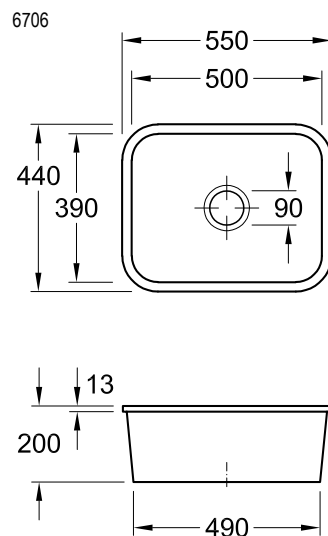


## Required size of worktop



Required size of worktop  
see attached template

## Engineering data



Please refer to the assembly instructions

# CISTERNA 50



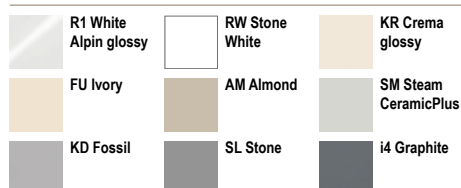
- Installation in natural stone or artificial stone counter-tops
- Minimum width of undersink cabinet: 50 cm
- Registered design
- Possible combinations undercounter see pages XX
- Compatible with all soap dispensers on page 100
- Further selection of cover caps for turn lever on page 104



€ excl. VAT

Ref.	Description (for XX, please enter colour number)	Classicline	Premiumline
6703 01 XX	Undercounter sink inclusive Waste system, Round hand-operated and Fastening set	926,-	1.033,-
6703 02 XX	Undercounter sink inclusive Waste system, Round pop-up and Fastening set	1.035,-	1.142,-

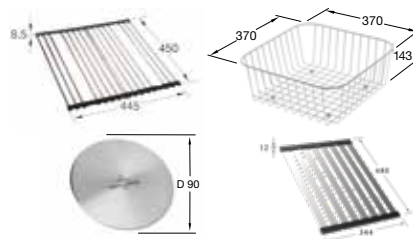
## Classicline CeramicPlus



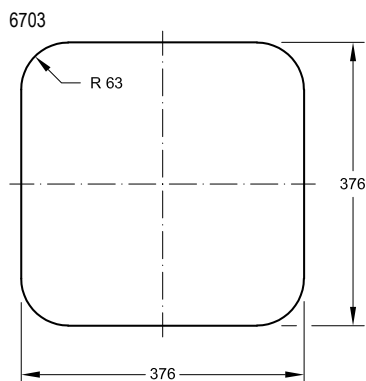
## Premiumline CeramicPlus



Ref.	Optional accessories / spare parts	Price
9K08 00 K1	Rolling mat, Angular, Stainless steel	132,-
9849 00 K1	Salad basket, Angular, Stainless steel	163,-
9624 15 LC	Cap waste cover, Round, stainless steel	43,-
8276 00 61	Waste system, Round hand-operated, chrome	77,-
8286 10 00	Waste system, Round pop-up	186,-
9K13 00 71	Draining rack, Angular	150,-

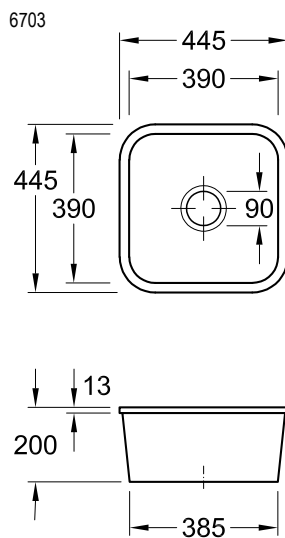


## Required size of worktop



Required size of worktop  
see attached template

## Engineering data



Please refer to the assembly instructions



# CISTERNA 45

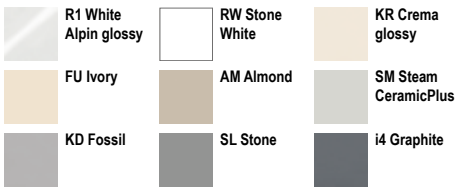


- Installation in natural stone or artificial stone counter-tops
- Minimum width of undersink cabinet: 45 cm
- Registered design
- Possible combinations undercounter see pages XX
- Compatible with all soap dispensers on page 100
- Further selection of cover caps for turn lever on page 104

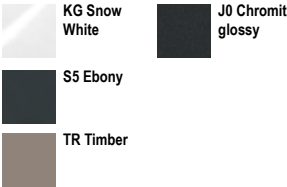


Ref.	Description (for XX, please enter colour number)	€ excl. VAT	
		Classicline	Premiumline
6704 01 XX	Undercounter sink inclusive Waste system, Round hand-operated and Fastening set	890,-	991,-
6704 02 XX	Undercounter sink inclusive Waste system, Round pop-up and Fastening set	999,-	1.100,-

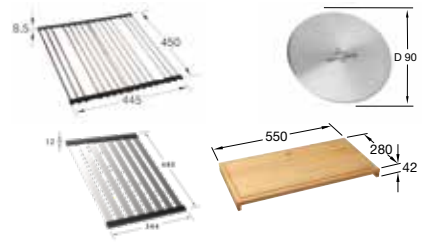
### Classicline CeramicPlus



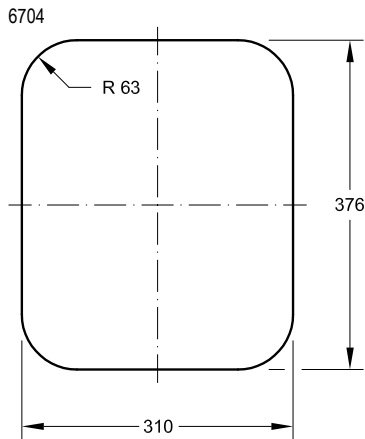
### Premiumline CeramicPlus



Ref.	Optional accessories / spare parts	Price
9K08 00 K1	Rolling mat, Angular, Stainless steel	132,-
8K03 10 00	Accessory set: a universal cutting board made of beech and a stainless steel salad basket	164,-
9624 15 LC	Cap waste cover, Round, stainless steel	43,-
8276 00 61	Waste system, Round hand-operated, chrome	77,-
8286 10 00	Waste system, Round pop-up	186,-
9K13 00 71	Draining rack, Angular	150,-

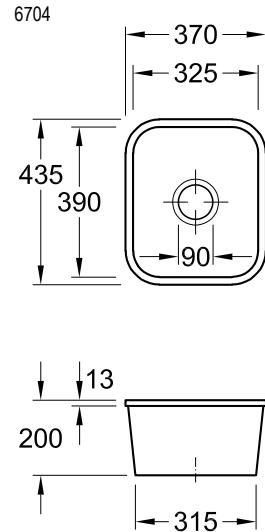


### Required size of worktop



Required size of worktop see attached template

### Engineering data



Please refer to the assembly instructions

UNDERCOUNTER SINKS

# SUBWAY 60 SU



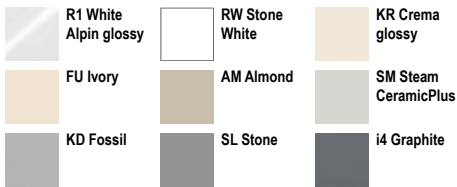
- Installation in natural stone or artificial stone counter-tops
- Minimum width of undersink cabinet: 60 cm
- Possible combinations undercounter see pages XX
- Compatible with all soap dispensers on page 100
- Further selection of cover caps for turn lever on page 104



UNDERCOUNTER SINKS

Ref.	Description (for XX, please enter colour number)	€ excl. VAT	
		Classicline	Premiumline
3310 01 XX	Undercounter sink inclusive Waste system, Round hand-operated	1.026,-	1.155,-
3310 02 XX	Undercounter sink inclusive Waste system, Round pop-up	1.135,-	1.263,-

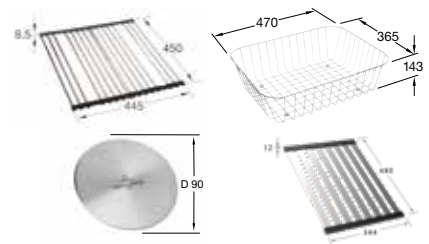
### Classicline CeramicPlus



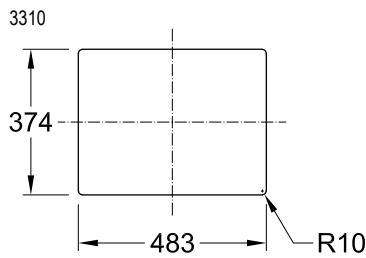
### Premiumline CeramicPlus



Ref.	Optional accessories / spare parts	Price
9K08 00 K1	Rolling mat, Angular, Stainless steel	132,-
8397 00 K1	Salad basket, Angular, Stainless steel	163,-
9624 15 LC	Cap waste cover, Round, stainless steel	43,-
8276 00 61	Waste system, Round hand-operated, chrome	77,-
8286 10 00	Waste system, Round pop-up	186,-
9K13 00 71	Draining rack, Angular	150,-

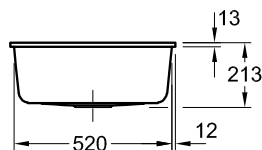
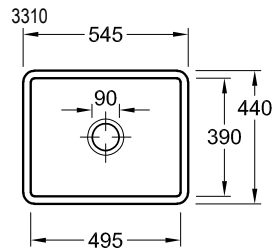


### Required size of worktop



Required size of worktop  
see attached template

### Engineering data



Please refer to the assembly instructions

# SUBWAY 60 XU

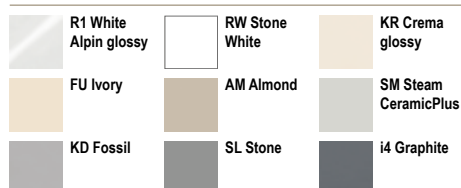


- Installation in natural stone or artificial stone counter-tops
- Minimum width of undersink cabinet: 60 cm
- 2 basins, closable
- Steamer containers 1/3 and 2/3 compatible with salad basket
- Compatible with all soap dispensers on page 100
- Further selection of cover caps for double turn lever on page 104



Ref.	Description (for XX, please enter colour number)	€ excl. VAT	
		Classicline	Premiumline
6758 01 XX	Undercounter sink inclusive Waste system, Round hand-operated	1.073,-	1.200,-
6758 02 XX	Undercounter sink inclusive Waste system, Round pop-up	1.161,-	1.288,-

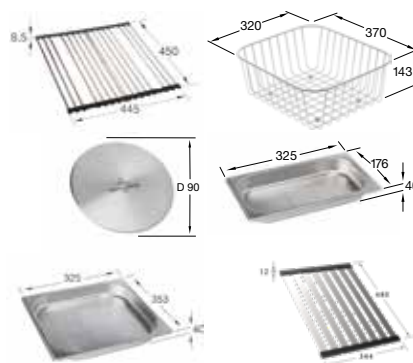
### Classicline CeramicPlus



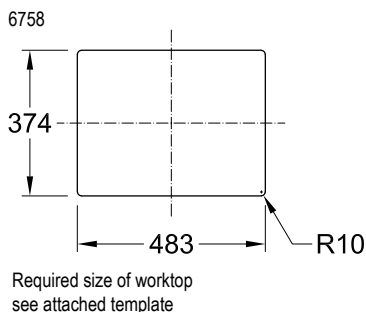
### Premiumline CeramicPlus



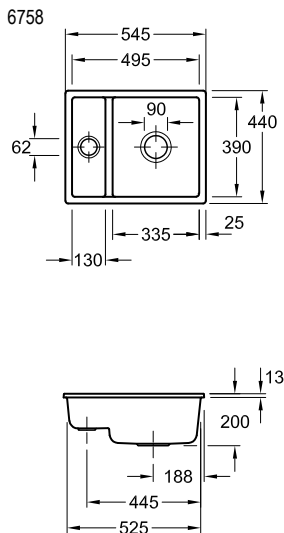
Ref.	Optional accessories / spare parts	Price
9K08 00 K1	Rolling mat, Angular, Stainless steel	132,-
9841 00 K1	Salad basket, Angular, Stainless steel	163,-
9624 15 LC	Cap waste cover, Round, stainless steel	43,-
8299 06 K1	Steamer container 1/3, Angular, Stainless steel	56,-
8299 05 K1	Steamer container 2/3, Angular, Stainless steel	77,-
8282 00 61	Waste system, Round hand-operated, chrome	132,-
8283 10 00	Waste system, Round pop-up	220,-
9K13 00 71	Draining rack, Angular	150,-



### Required size of worktop



### Engineering data



Please refer to the assembly instructions

# SUBWAY 50 SU



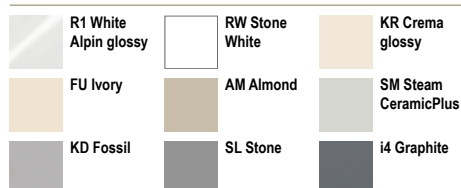
- Installation in natural stone or artificial stone counter-tops
- Minimum width of undersink cabinet: 50 cm
- Possible combinations undercounter see pages XX
- Compatible with all soap dispensers on page 100
- Further selection of cover caps for turn lever on page 104



UNDERCOUNTER SINKS

Ref.	Description (for XX, please enter colour number)	€ excl. VAT	
		Classiline	Premiumline
3325 01 XX	Undercounter sink inclusive Waste system, Round hand-operated	848,-	949,-
3325 02 XX	Undercounter sink inclusive Waste system, Round pop-up	957,-	1.058,-

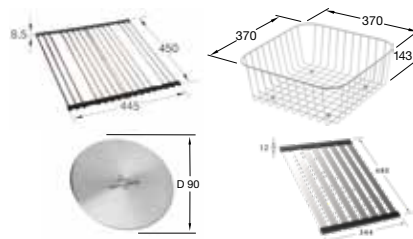
### Classiline CeramicPlus



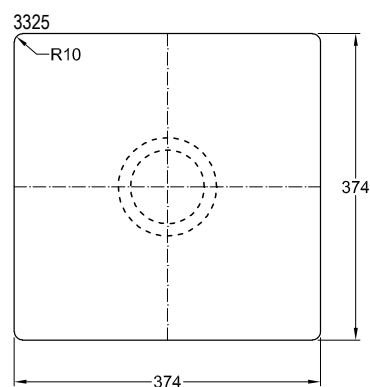
### Premiumline CeramicPlus



Ref.	Optional accessories / spare parts	Price
9K08 00 K1	Rolling mat, Angular, Stainless steel	132,-
9849 00 K1	Salad basket, Angular, Stainless steel	163,-
9624 15 LC	Cap waste cover, Round, stainless steel	43,-
8276 00 61	Waste system, Round hand-operated, chrome	77,-
8286 10 00	Waste system, Round pop-up	186,-
9K13 00 71	Draining rack, Angular	150,-

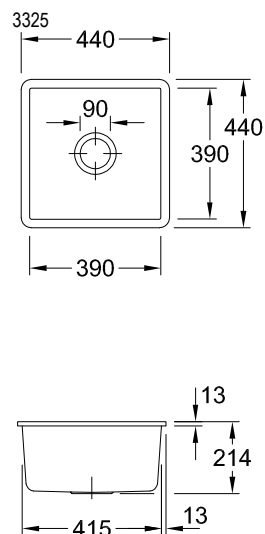


### Required size of worktop



Required size of worktop  
see attached template

### Engineering data



Please refer to the assembly instructions

# SUBWAY 45 SU

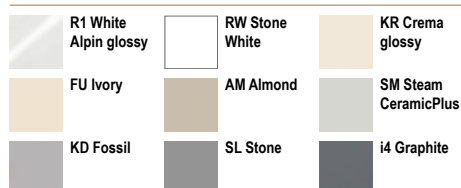


- Installation in natural stone or artificial stone counter-tops
- Minimum width of undersink cabinet: 45 cm
- Possible combinations undercounter see pages XX
- Compatible with all soap dispensers on page 100
- Further selection of cover caps for turn lever on page 104



Ref.	Description (for XX, please enter colour number)	€ excl. VAT	
		Classicline	Premiumline
3324 01 XX	Undercounter sink inclusive Waste system, Round hand-operated	834,-	933,-
3324 02 XX	Undercounter sink inclusive Waste system, Round pop-up	943,-	1.042,-

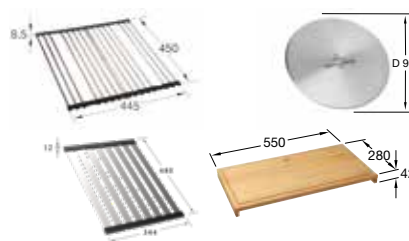
## Classicline CeramicPlus



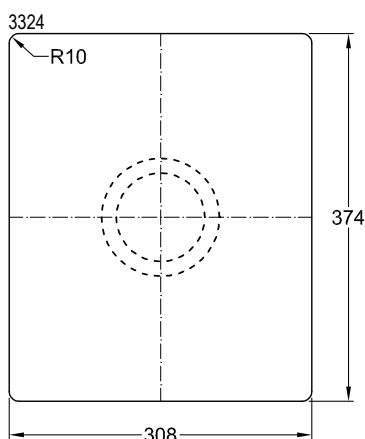
## Premiumline CeramicPlus



Ref.	Optional accessories / spare parts	Price
9K08 00 K1	Rolling mat, Angular, Stainless steel	132,-
8K03 10 00	Accessory set: a universal cutting board made of beech and a stainless steel salad basket	164,-
9624 15 LC	Cap waste cover, Round, stainless steel	43,-
8276 00 61	Waste system, Round hand-operated, chrome	77,-
8286 10 00	Waste system, Round pop-up	186,-
9K13 00 71	Draining rack, Angular	150,-

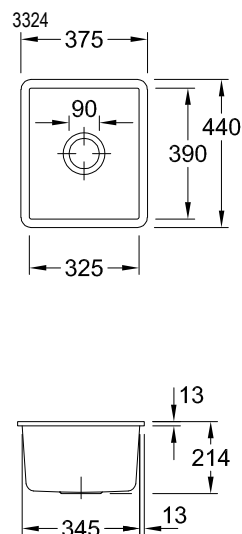


## Required size of worktop



Required size of worktop  
see attached template

## Engineering data



Please refer to the assembly instructions

## GOOD TO KNOW - PLANNING TIPS

As a particularly straight-lined sink variant, flush-fitting models integrate seamlessly into the worktop and blend perfectly into any kitchen furnishing concept.

The fact that flush-fitted sinks are integrated directly into the worktop without any supports around the rim additionally represents a major advantage in terms of hygiene.

Liquids can be wiped from the work area into the sink without leaving any deposits along the rim, for example.



- Our sinks are ideally prepared for installation:
- plane-ground supporting rim of ideal thickness
- straight-milled sink rim with a dimensional tolerance of +/- 1mm for an ideal fit
- top edge with slight bevel to avoid injuries when fitting
- milled corner radii for a constant expansion joint throughout the cut-out

### Further tips

together with installation instructions and cut-out dimensions for installing flush-fitted sinks are to be found on page 115



Scan QR code

to go straight to the video on installing flush-fitted sinks.



# FLUSH-FIT SINKS: OVERVIEW

## Flush-mounted sinks 60 cm Size of undercabinet



**Siluet 60 flat**

980x490 mm  
3336 (56)



**Siluet 60 R flat**

980x490 mm  
3337 (57)



**Siluet 60 S flat**

580x490 mm  
3346 (58)



**Subway Style 60 Flat**

980x490 mm  
3361 (59)



**Subway Style 60 S Flat**

580x490 mm  
3366 (60)



**Subway 60 flat**

965x475 mm  
6770 (61)



**Subway 60 S flat**

565x475 mm  
3309 (62)



**Subway 60 XL flat**

965x475 mm  
6719 (63)



**Subway 60 XM flat**

585x475 mm  
6780 (64)



**Timeline 60 flat**

965x475 mm  
6790 (65)

## Flush-mounted sinks 50 cm Size of undercabinet



**Siluet 50 flat**

880x490 mm  
3335 (66)



**Siluet 50 S flat**

490x490 mm  
3345 (67)



**Subway Style 50 Flat**

880x490 mm  
3351 (68)



**Subway 50 S flat**

490x475 mm  
3315 (69)



**Timeline 50 flat**

865x475 mm  
3307 (70)

## Undercounter sinks 45cm Size of undercabinet



**Siluet 45 flat**

780x490 mm  
3334 (71)



**Subway 45 flat**

745x475 mm  
6772 (72)



**Subway 45 XS flat**

440x475 mm  
6781 (73)

# SILUET 60 FLAT



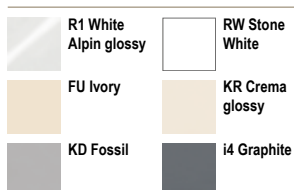
- **The sink is reversible**
- For flush-fit installation in natural stone, ceramic, glass and quartz stone worktops
- Minimum width of undersink cabinet: 60 cm
- Minimum thickness of the countertop when placed with a dishwasher: at least 3 cm
- Steamer containers 1/3 and 2/3 compatible with salad basket
- **Material: TitanCeram**
- Compatible with all soap dispensers on page 100
- Further selection of cover caps for turn lever on page 104



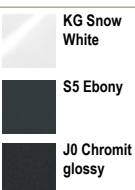
£ excl. VAT

Ref.	Description (for XX, please enter colour number)	Classicline	Premiumline
3336 1F XX	Sink inclusive Waste system, Round hand-operated	1.356,-	1.535,-
3336 2F XX	Sink inclusive Waste system, Round pop-up	1.465,-	1.644,-

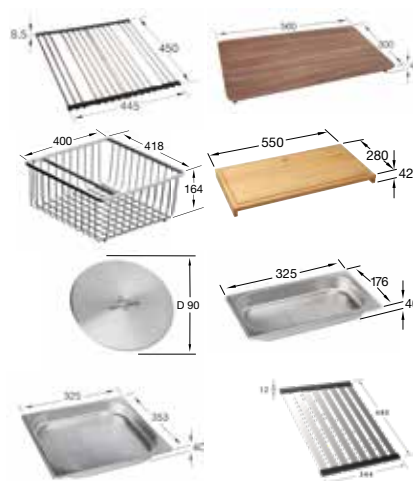
## Classicline CeramicPlus



## Premiumline CeramicPlus

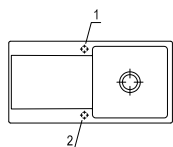


Ref.	Optional accessories / spare parts	Price
9K08 00 K1	Rolling mat, Angular, Stainless steel	132,-
8K36 10 00	Universal cutting board walnut, Angular	200,-
9K10 00 K1	Salad basket, Angular, Stainless steel	249,-
9220 58 00	Installation kit	24,-
9624 15 LC	Cap waste cover, Round, stainless steel	43,-
8299 06 K1	Steamer container 1/3, Angular, Stainless steel	56,-
8299 05 K1	Steamer container 2/3, Angular, Stainless steel	77,-
8276 00 61	Waste system, Round hand-operated, chrome	77,-
8286 10 00	Waste system, Round pop-up	186,-
9K13 00 71	Draining rack, Angular	150,-



## View of holes for tap fittings

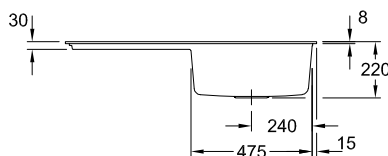
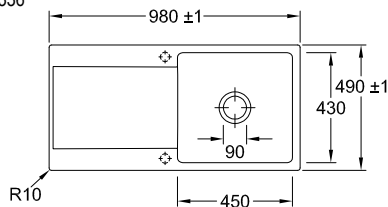
3336



When ordering, please specify the tap hole you would like us to drill for you, by using tap hole reference number (see page 6).  
Diameter: ca. 35 mm  
Additional charge: 9,00 €/model.

## Engineering data

3336



Please refer to the assembly instructions and cut-out dimensions of the countertop on page 117



# SILUET 60 R FLAT



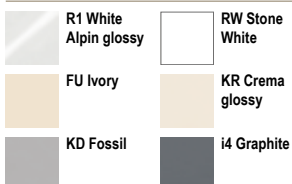
- **The sink is reversible**
- For flush-fit installation in natural stone, ceramic, glass and quartz stone worktops
- Minimum width of undersink cabinet: 60 cm
- Minimum thickness of the countertop when placed with a dishwasher: at least 3 cm
- Compatible with steamer container 1/3
- **Material: TitanCeram**
- Compatible with all soap dispensers on page 100
- Further selection of cover caps for turn lever on page 104



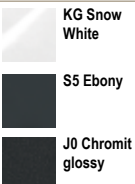
€ excl. VAT

Ref.	Description (for XX, please enter colour number)	Classicline	Premiumline
3337 1F XX	Sink inclusive Waste system, Round hand-operated	1.434,-	1.620,-
3337 2F XX	Sink inclusive Waste system, Round pop-up	1.521,-	1.707,-

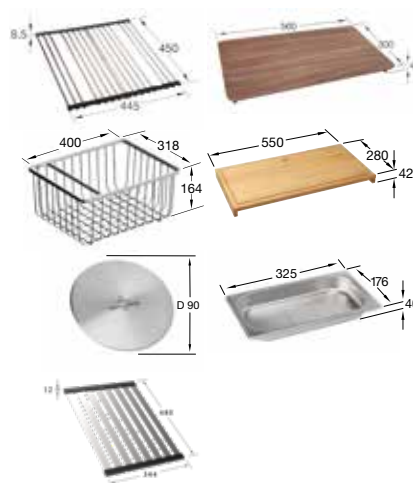
## Classicline CeramicPlus



## Premiumline CeramicPlus

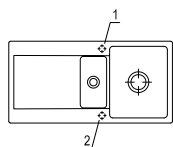


Ref.	Optional accessories / spare parts	Price
9K08 00 K1	Rolling mat, Angular, Stainless steel	132,-
8K36 10 00	Universal cutting board walnut, Angular	200,-
9K11 00 K1	Salad basket, Angular, Stainless steel	236,-
9220 58 00	Installation kit	24,-
9624 15 LC	Cap waste cover, Round, stainless steel	43,-
8299 06 K1	Steamer container 1/3, Angular, Stainless steel	56,-
8K92 00 61	Waste system, Round hand-operated, chrome	99,-
8K96 10 00	Waste system, Round pop-up	186,-
9K13 00 71	Draining rack, Angular	150,-



## View of holes for tap fittings

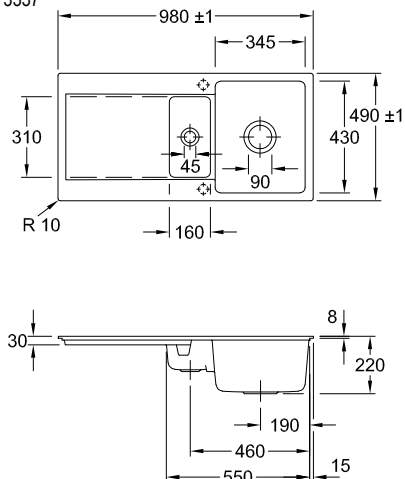
3337



When ordering, please specify the tap hole you would like us to drill for you, by using tap hole reference number (see page 6).  
Diameter: ca. 35 mm  
Additional charge: 9,00 €/model.

## Engineering data

3337



Please refer to the assembly instructions and cut-out dimensions of the countertop on page 117

# SILUET 60 S FLAT



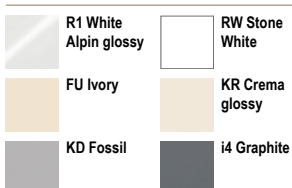
- For flush-fit installation in natural stone, ceramic, glass and quartz stone worktops
- Minimum width of undersink cabinet: 60 cm
- **Material: TitanCeram**
- Minimum thickness of the countertop: at least 3 cm
- Compatible with all soap dispensers on page 100
- Further selection of cover caps for turn lever on page 104



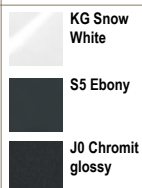
€ excl. VAT

Ref.	Description (for XX, please enter colour number)	€ excl. VAT	
		Classicline	Premiumline
3346 1F XX	Sink inclusive Waste system hand-operated	1.152,-	1.293,-
3346 2F XX	Sink inclusive Waste system, Round pop-up	1.211,-	1.352,-

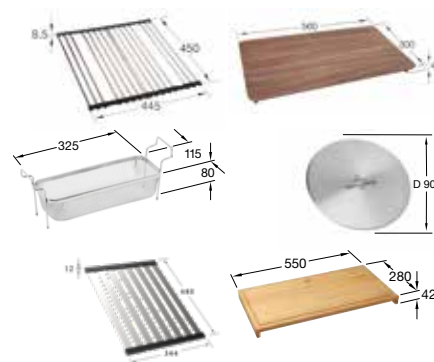
## Classicline CeramicPlus



## Premiumline CeramicPlus



Ref.	Optional accessories / spare parts	Price
9K08 00 K1	Rolling mat, Angular, Stainless steel	132,-
8K36 10 00	Universal cutting board walnut, Angular	200,-
8K09 10 00	Accessory set: a universal cutting board made of beech and a stainless steel salad basket	164,-
9K04 00 K1	Inset strainer, Angular, Stainless steel	75,-
9624 15 LC	Cap waste cover, Round, stainless steel	43,-
8K94 00 61	Waste system hand-operated, chrome	123,-
8K82 10 00	Waste system, Round pop-up	182,-
9K13 00 71	Draining rack, Angular	150,-



## View of holes for tap fittings

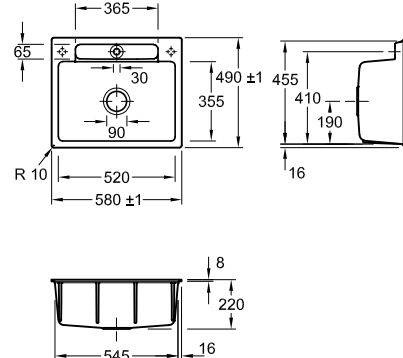
3346



When ordering, please specify the tap hole you would like us to drill for you, by using tap hole reference number (see page 6).  
Diameter: ca. 35 mm  
Additional charge: 9,00 €/model.

## Engineering data

3346



Please refer to the assembly instructions and cut-out dimensions of the countertop on page 117

# SUBWAY STYLE 60 FLAT



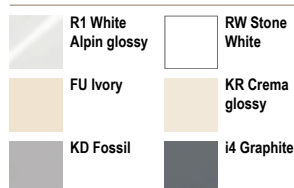
- Available with bowl on the right or left-hand side
- For flush-fit installation in natural stone, ceramic, glass and quartz stone worktops
- Minimum width of undersink cabinet: 60 cm
- Compatible with all soap dispensers on page 100
- Further selection of cover caps for turn lever on page 104



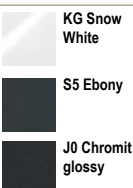
€ excl. VAT

Ref.	Description (for XX, please enter colour number)	Classiline	Premiumline
3361 1F XX	Sink basin right inclusive Waste system, Round hand-operated	1.166,-	1.316,-
3362 1F XX	Sink basin left inclusive Waste system, Round hand-operated	1.166,-	1.316,-
3361 2F XX	Sink basin right inclusive Waste system, Round pop-up	1.275,-	1.425,-
3362 2F XX	Sink basin left inclusive Waste system, Round pop-up	1.275,-	1.425,-

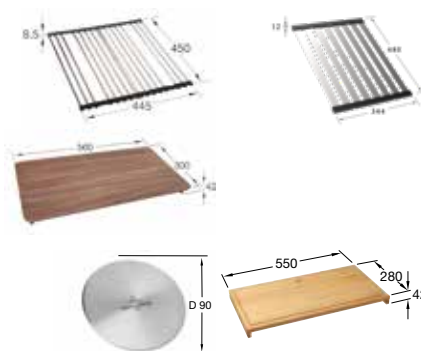
## Classiline CeramicPlus



## Premiumline CeramicPlus



Ref.	Optional accessories / spare parts	Price
9K08 00 K1	Rolling mat, Angular, Stainless steel	132,-
9K13 00 71	Draining rack, Angular	150,-
9K13 00 05	Folding draining rack, Angular, anthracite	150,-
8K36 10 00	Universal cutting board walnut, Angular	200,-
8K09 10 00	Accessory set: a universal cutting board made of beech and a stainless steel salad basket	164,-
9220 58 00	Installation kit	24,-
9624 15 LC	Cap waste cover, Round, stainless steel	43,-
8276 00 61	Waste system, Round hand-operated, chrome	77,-
8286 10 00	Waste system, Round pop-up	186,-

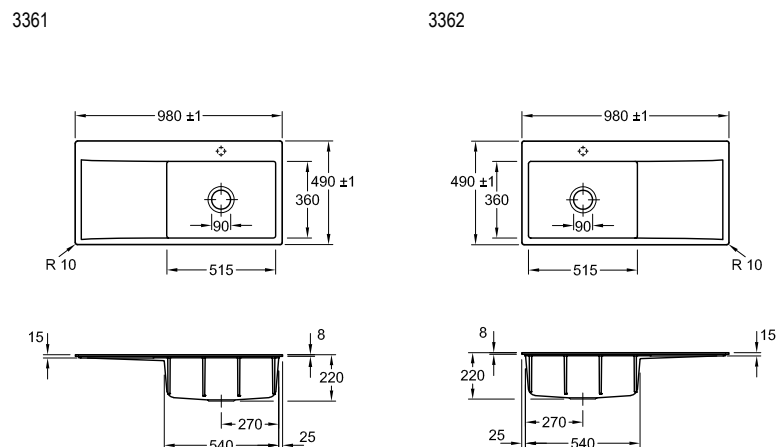


## View of holes for tap fittings



When ordering, please specify the tap hole you would like us to drill for you, by using tap hole reference number (see page 6).  
Diameter: ca. 35 mm  
Additional charge: 9,00 €/model.

## Engineering data



Please refer to the assembly instructions  
Please refer to the assembly instructions and cut-out dimensions of the countertop on page 117

# SUBWAY STYLE 60 S FLAT



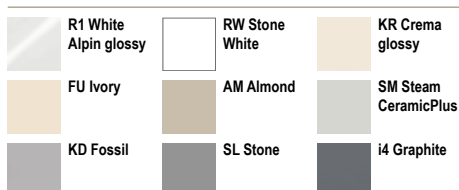
- All-round ledge supports practical accessories
- For flush-fit installation in natural stone, ceramic, glass and quartz stone worktops
- Minimum width of undersink cabinet: 60 cm
- Registered design
- Compatible with all soap dispensers on page 100
- Further selection of cover caps for turn lever on page 104



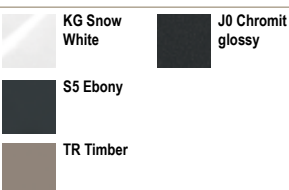
€ excl. VAT

Ref.	Description (for XX, please enter colour number)	Classicline	Premiumline
3366 1F XX	Sink inclusive Waste system, Round hand-operated and Draining rack in aluminium brushed	1.029,-	1.144,-
336A 1F XX	Sink inclusive Waste system, Round hand-operated and Draining rack in anthracite	1.029,-	1.144,-
3366 2F XX	Sink inclusive Waste system, Round pop-up and Draining rack in aluminium brushed	1.133,-	1.248,-
336A 2F XX	Sink inclusive Waste system, Round pop-up and Draining rack in anthracite	1.133,-	1.248,-

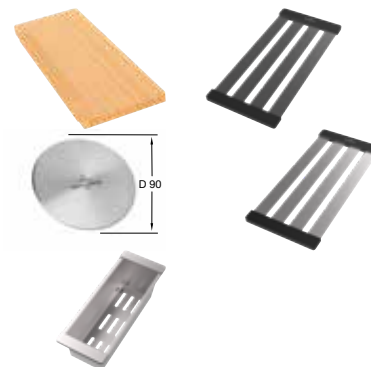
## Classicline CeramicPlus



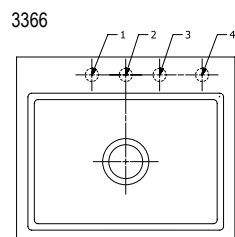
## Premiumline CeramicPlus



Ref.	Optional accessories / spare parts	Price
8K42 10 00	European oak cutting board, Angular	96,-
9220 58 00	Installation kit	24,-
9624 15 LC	Cap waste cover, Round, stainless steel	43,-
8276 00 61	Waste system, Round hand-operated, chrome	77,-
8286 10 00	Waste system, Round pop-up	186,-
9K14 00 71	Draining rack, Angular, Aluminium brushed	101,-
9K14 00 71	Draining rack, Angular, Anthracite	101,-
8K38 00 K1	Strainer bowl, Angular, Stainless steel	150,-

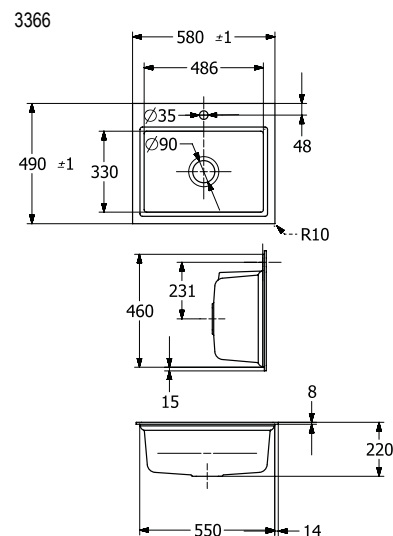


## View of holes for tap fittings



When ordering, please specify the tap hole you would like us to drill for you, by using tap hole reference number (see page 6).  
Diameter: ca. 35 mm  
Additional charge: 9,00 €/model.

## Engineering data



Please refer to the assembly instructions  
Please refer to the assembly instructions and cut-out dimensions of the countertop on page 117

# SUBWAY 60 FLAT



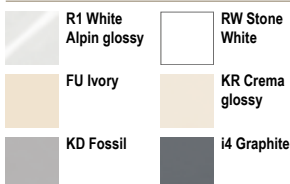
- Available with bowl on the right or left-hand side
- For flush-fit installation in natural stone, ceramic, glass and quartz stone worktops
- Minimum width of undersink cabinet: 60 cm
- Minimum thickness of the countertop when placed with a dishwasher: at least 4 cm
- Registered design
- Compatible with all soap dispensers on page 100
- Further selection of cover caps for turn lever on page 104



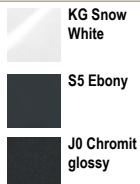
€ excl. VAT

Ref.	Description (for XX, please enter colour number)	Classiline	Premiumline
6712 1F XX	Sink basin right inclusive Waste system, Round hand-operated	1.265,-	1.426,-
6770 1F XX	Sink basin left inclusive Waste system, Round hand-operated	1.265,-	1.426,-
6712 2F XX	Sink basin right inclusive Waste system, Round pop-up	1.351,-	1.512,-
6770 2F XX	Sink basin left inclusive Waste system, Round pop-up	1.351,-	1.512,-

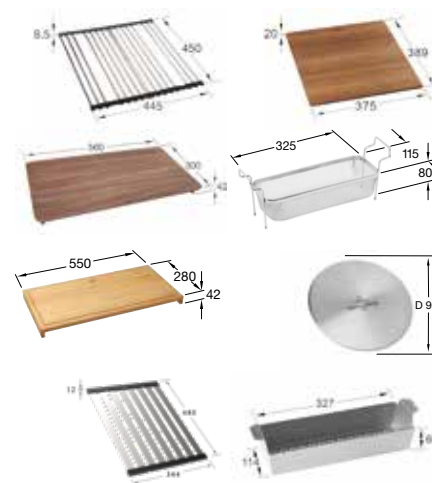
## Classiline CeramicPlus



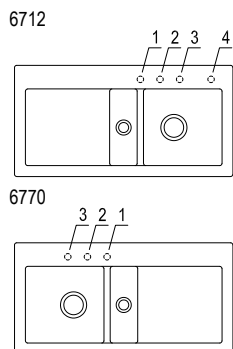
## Premiumline CeramicPlus



Ref.	Optional accessories / spare parts	Price
9K08 00 K1	Rolling mat, Angular, Stainless steel	132,-
8K33 10 00	Cutting board walnut, Angular	174,-
8K36 10 00	Universal cutting board walnut, Angular	200,-
8K04 10 00	Accessory set: a universal cutting board made of beech and a stainless steel salad basket	164,-
9K04 00 K1	Inset strainer, Angular, Stainless steel	75,-
9220 58 00	Installation kit	24,-
9624 15 LC	Cap waste cover, Round, stainless steel	43,-
8214 00 61	Waste system, Round hand-operated, chrome	99,-
8215 10 00	Waste system, Round pop-up	186,-
9K13 00 71	Draining rack, Angular	150,-
8K37 00 K1	Strainer bowl, Angular, Stainless steel	140,-

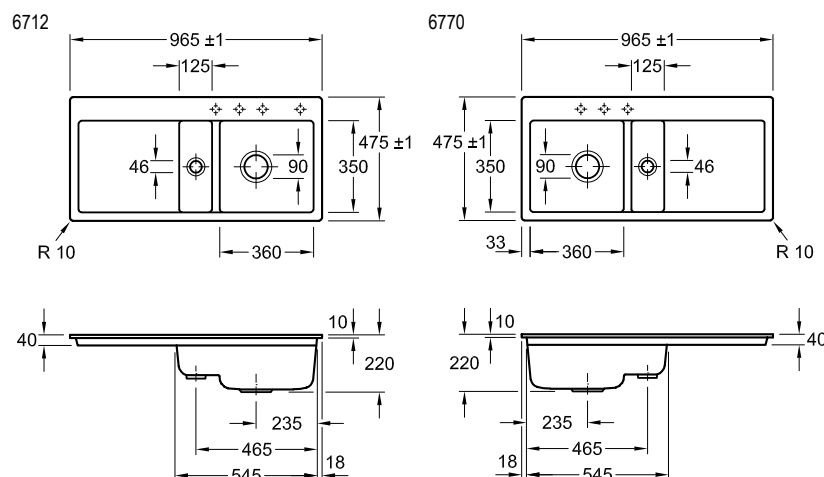


## View of holes for tap fittings



When ordering, please specify the tap hole you would like us to drill for you, by using tap hole reference number (see page 6).  
Diameter: ca. 35 mm  
Additional charge: 9,00 €/model.

## Engineering data



Please refer to the assembly instructions and cut-out dimensions of the countertop on page 117

# SUBWAY 60 S FLAT



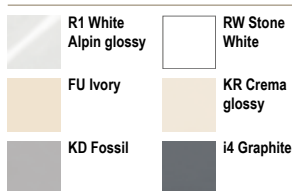
- For flush-fit installation in natural stone, ceramic, glass and quartz stone worktops
- Minimum width of undersink cabinet: 60 cm
- Minimum thickness of the countertop: at least 3 cm
- Registered design
- Compatible with all soap dispensers on page 100
- Further selection of cover caps for turn lever on page 104



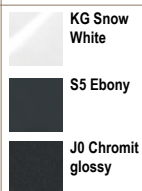
€ excl. VAT

Ref.	Description (for XX, please enter colour number)	Classicline	Premiumline
3309 1F XX	Sink inclusive Waste system, Round hand-operated	1.078,-	1.214,-
3309 2F XX	Sink inclusive Waste system, Round pop-up	1.187,-	1.323,-

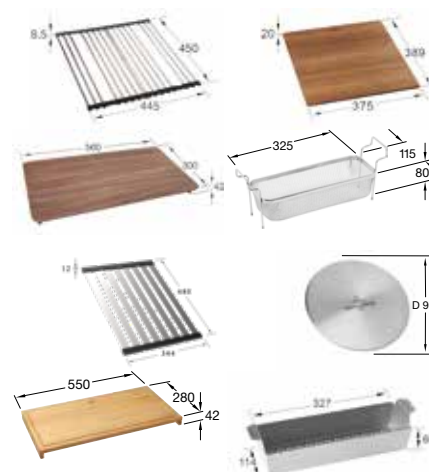
## Classicline CeramicPlus



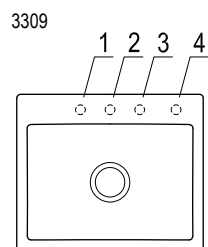
## Premiumline CeramicPlus



Ref.	Optional accessories / spare parts	Price
9K08 00 K1	Rolling mat, Angular, Stainless steel	132,-
8K33 10 00	Cutting board walnut, Angular	174,-
8K36 10 00	Universal cutting board walnut, Angular	200,-
8K09 10 00	Accessory set: a universal cutting board made of beech and a stainless steel salad basket	164,-
9K04 00 K1	Inset strainer, Angular, Stainless steel	75,-
9220 58 00	Installation kit	24,-
9624 15 LC	Cap waste cover, Round, stainless steel	43,-
8276 00 61	Waste system, Round hand-operated, chrome	77,-
8286 10 00	Waste system, Round pop-up	186,-
9K13 00 71	Draining rack, Angular	150,-
8K37 00 K1	Strainer bowl, Angular, Stainless steel	140,-

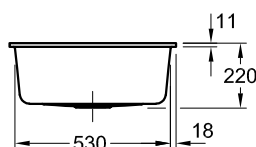
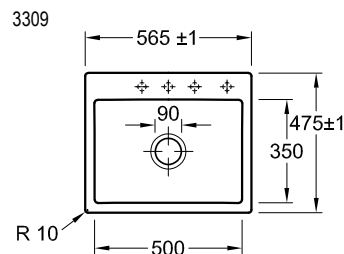


## View of holes for tap fittings



When ordering, please specify the tap hole you would like us to drill for you, by using tap hole reference number (see page 6).  
Diameter: ca. 35 mm  
Additional charge: 9,00 €/model.

## Engineering data



Please refer to the assembly instructions and cut-out dimensions of the countertop on page 117

# SUBWAY 60 XL FLAT

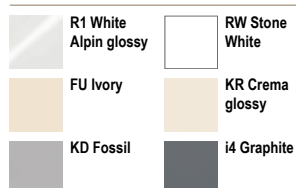


- Available with bowl on the right or left-hand side
- For flush-fit installation in natural stone, ceramic, glass and quartz stone worktops
- Minimum width of undersink cabinet: 60 cm
- Minimum thickness of the countertop when placed with a dishwasher: at least 4 cm
- Registered design
- Compatible with all soap dispensers on page 100
- Further selection of cover caps for turn lever on page 104

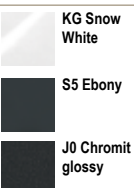


Ref.	Description (for XX, please enter colour number)	€ excl. VAT	
		Classicline	Premiumline
6719 1F XX	Sink basin right inclusive Waste system, Round hand-operated	1.189,-	1.341,-
6718 1F XX	Sink basin left inclusive Waste system, Round hand-operated	1.189,-	1.341,-
6719 2F XX	Sink basin right inclusive Waste system, Round pop-up	1.298,-	1.450,-
6718 2F XX	Sink basin left inclusive Waste system, Round pop-up	1.298,-	1.450,-

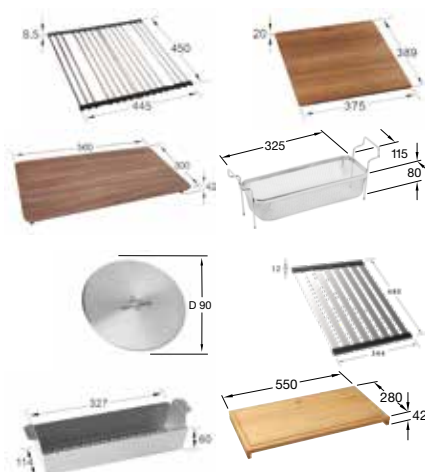
## Classicline CeramicPlus



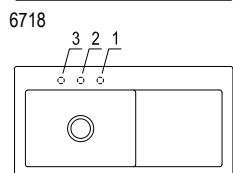
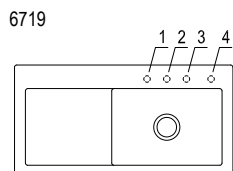
## Premiumline CeramicPlus



Ref.	Optional accessories / spare parts	Price
9K08 00 K1	Rolling mat, Angular, Stainless steel	132,-
8K33 10 00	Cutting board walnut, Angular	174,-
8K36 10 00	Universal cutting board walnut, Angular	200,-
8K09 10 00	Accessory set: a universal cutting board made of beech and a stainless steel salad basket	164,-
9K04 00 K1	Inset strainer, Angular, Stainless steel	75,-
9624 15 LC	Cap waste cover, Round, stainless steel	43,-
8276 00 61	Waste system, Round hand-operated, chrome	77,-
8286 10 00	Waste system, Round pop-up	186,-
9K13 00 71	Draining rack, Angular	150,-
8K37 00 K1	Strainer bowl, Angular, Stainless steel	140,-

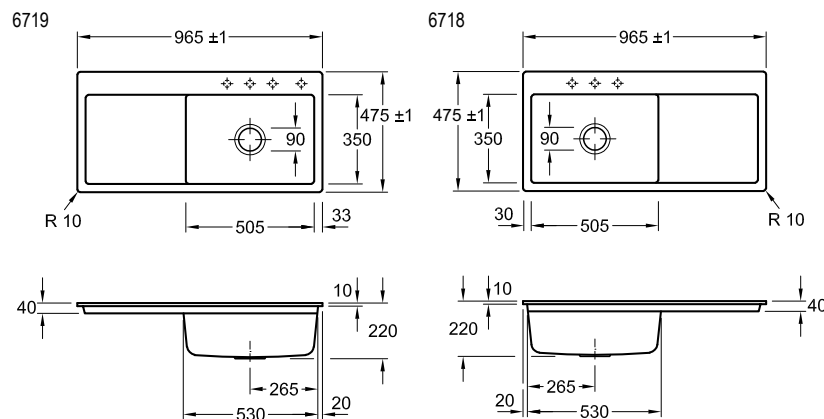


## View of holes for tap fittings



When ordering, please specify the tap hole you would like us to drill for you, by using tap hole reference number (see page 6).  
Diameter: ca. 35 mm  
Additional charge: 9,00 €/model.

## Engineering data



Please refer to the assembly instructions and cut-out dimensions of the countertop on page 117

# SUBWAY 60 XM FLAT



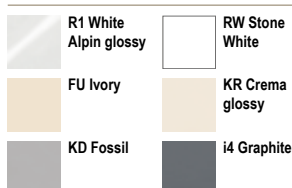
- For flush-fit installation in natural stone, ceramic, glass and quartz stone worktops
- Minimum width of undersink cabinet: 60 cm
- Minimum thickness of the countertop: at least 3 cm
- Compatible with all soap dispensers on page 100
- Further selection of cover caps for turn lever on page 104



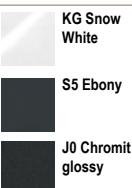
€ excl. VAT

Ref.	Description (for XX, please enter colour number)	Classiline	Premiumline
6780 1F XX	Sink inclusive Waste system, Round hand-operated	1.114,-	1.252,-
6780 2F XX	Sink inclusive Waste system, Round pop-up	1.200,-	1.338,-

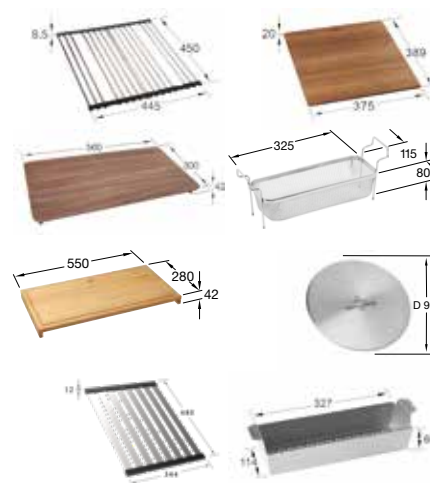
## Classiline CeramicPlus



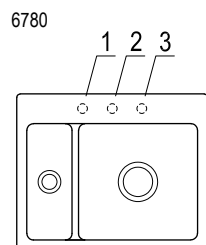
## Premiumline CeramicPlus



Ref.	Optional accessories / spare parts	Price
9K08 00 K1	Rolling mat, Angular, Stainless steel	132,-
8K33 10 00	Cutting board walnut, Angular	174,-
8K36 10 00	Universal cutting board walnut, Angular	200,-
8K04 10 00	Accessory set: a universal cutting board made of beech and a stainless steel salad basket	164,-
9K04 00 K1	Inset strainer, Angular, Stainless steel	75,-
9220 58 00	Installation kit	24,-
9624 15 LC	Cap waste cover, Round, stainless steel	43,-
8214 00 61	Waste system, Round hand-operated, chrome	99,-
8215 10 00	Waste system, Round pop-up	186,-
9K13 00 71	Draining rack, Angular	150,-
8K37 00 K1	Strainer bowl, Angular, Stainless steel	140,-

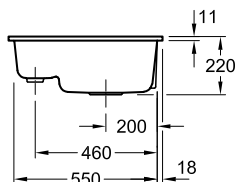
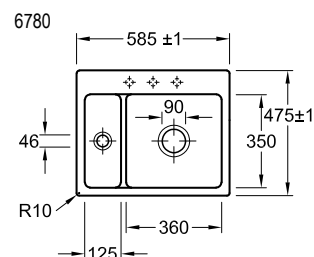


## View of holes for tap fittings



When ordering, please specify the tap hole you would like us to drill for you, by using tap hole reference number (see page 6).  
Diameter: ca. 35 mm  
Additional charge: 9,00 €/model.

## Engineering data



Please refer to the assembly instructions and cut-out dimensions of the countertop on page 117



# TIMELINE 60 FLAT

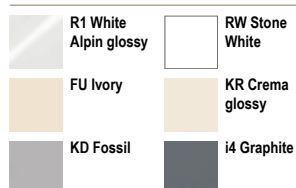


- The sink is reversible
- For flush-fit installation in natural stone, ceramic, glass and quartz stone worktops
- Minimum width of undersink cabinet: 60 cm
- Minimum thickness of the countertop when placed with a dishwasher: at least 4 cm
- Compatible with all soap dispensers on page 100
- Further selection of cover caps for turn lever on page 104

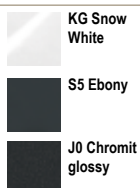


Ref.	Description (for XX, please enter colour number)	€ excl. VAT	
		Classicline	Premiumline
6790 1F XX	Sink inclusive Waste system, Round hand-operated	1.316,-	1.488,-
6790 2F XX	Sink inclusive Waste system, Round pop-up	1.425,-	1.597,-

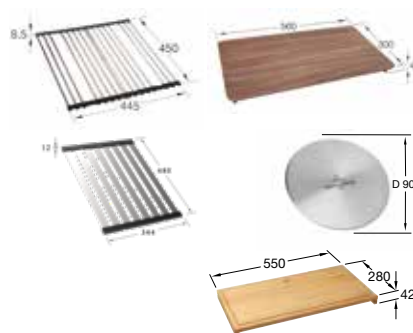
## Classicline CeramicPlus



## Premiumline CeramicPlus

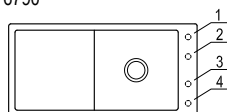


Ref.	Optional accessories / spare parts	Price
9K08 00 K1	Rolling mat, Angular, Stainless steel	132,-
8K36 10 00	Universal cutting board walnut, Angular	200,-
8K14 00 00	Accessory set: a universal cutting board made of beech and a stainless steel salad basket	164,-
9220 58 00	Installation kit	24,-
9624 15 LC	Cap waste cover, Round, stainless steel	43,-
8276 00 61	Waste system, Round hand-operated, chrome	77,-
8286 10 00	Waste system, Round pop-up	186,-
9K13 00 71	Draining rack, Angular	150,-



## View of holes for tap fittings

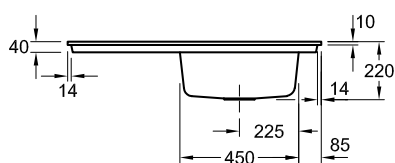
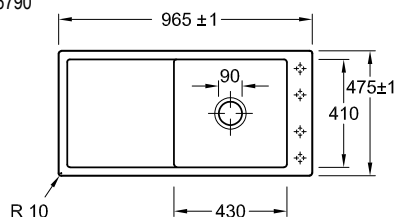
6790



When ordering, please specify the tap hole you would like us to drill for you, by using tap hole reference number (see page 6).  
Diameter: ca. 35 mm  
Additional charge: 9,00 €/model.

## Engineering data

6790



Please refer to the assembly instructions and cut-out dimensions of the countertop on page 117

# SILUET 50 FLAT



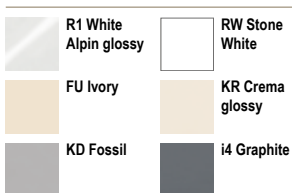
- The sink is reversible
- For flush-fit installation in natural stone, ceramic, glass and quartz stone worktops
- Minimum width of undersink cabinet: 50 cm
- Minimum thickness of the countertop when placed with a dishwasher: at least 3 cm
- Steamer container 1/3 compatible with salad basket
- **Material: TitanCeram**
- Compatible with all soap dispensers on page 100
- Further selection of cover caps for turn lever on page 104



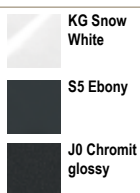
€ excl. VAT

Ref.	Description (for XX, please enter colour number)	Classicline	Premiumline
3335 1F XX	Sink inclusive Waste system, Round hand-operated	1.212,-	1.368,-
3335 2F XX	Sink inclusive Waste system, Round pop-up	1.321,-	1.477,-

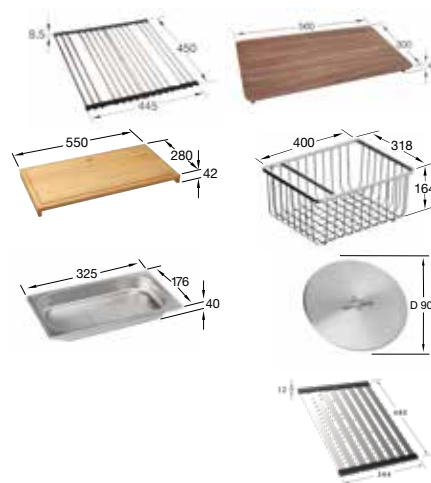
## Classicline CeramicPlus



## Premiumline CeramicPlus

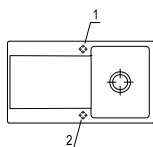


Ref.	Optional accessories / spare parts	Price
9K08 00 K1	Rolling mat, Angular, Stainless steel	132,-
8K36 10 00	Universal cutting board walnut, Angular	200,-
8K00 10 00	Universal beechwood cutting board, Angular	141,-
9K11 00 K1	Salad basket, Angular, Stainless steel	236,-
9220 58 00	Installation kit	24,-
9624 15 LC	Cap waste cover, Round, stainless steel	43,-
8299 06 K1	Steamer container 1/3, Angular, Stainless steel	56,-
8276 00 61	Waste system, Round hand-operated, chrome	77,-
8286 10 00	Waste system, Round pop-up	186,-
9K13 00 71	Draining rack, Angular	150,-



## View of holes for tap fittings

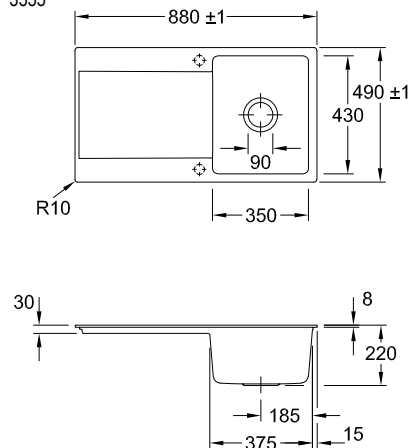
3335



When ordering, please specify the tap hole you would like us to drill for you, by using tap hole reference number (see page 6).  
Diameter: ca. 35 mm  
Additional charge: 9,00 €/model.

## Engineering data

3335



Please refer to the assembly instructions and cut-out dimensions of the countertop on page 117

# SILUET 50 S FLAT



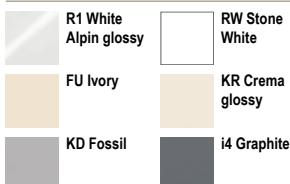
- For flush-fit installation in natural stone, ceramic, glass and quartz stone worktops
- Flexible installation of the sink: the strainer bowl can be positioned at the back or to either the right- or left-hand side
- Minimum width of undersink cabinet: 50 cm
- **Material: TitanCeram**
- Minimum thickness of the countertop: at least 3 cm
- Compatible with all soap dispensers on page 100
- Further selection of cover caps for turn lever on page 104



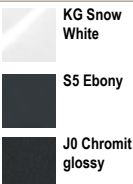
€ excl. VAT

Ref.	Description (for XX, please enter colour number)	€ excl. VAT	
		Classicline	Premiumline
3345 1F XX	Sink inclusive Waste system hand-operated	1.030,-	1.151,-
3345 2F XX	Sink inclusive Waste system, Round pop-up	1.088,-	1.210,-

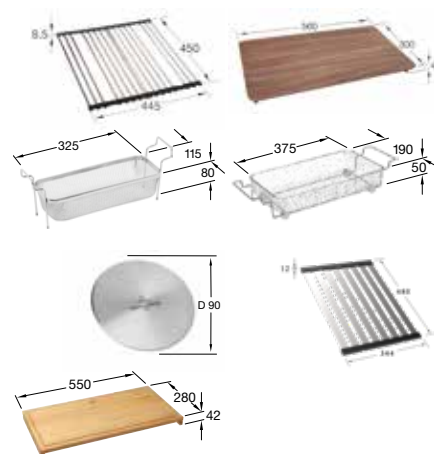
## Classicline CeramicPlus



## Premiumline CeramicPlus

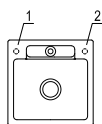


Ref.	Optional accessories / spare parts	Price
9K08 00 K1	Rolling mat, Angular, Stainless steel	132,-
8K36 10 00	Universal cutting board walnut, Angular	200,-
8K99 10 00	Accessory set: a universal cutting board made of beech and a stainless steel salad basket	164,-
9K04 00 K1	Inset strainer, Angular, Stainless steel	75,-
8345 47 K1	Inset strainer, Angular, Stainless steel	146,-
9624 15 LC	Cap waste cover, Round, stainless steel	43,-
8K94 00 61	Waste system hand-operated, chrome	123,-
8K82 10 00	Waste system, Round pop-up	182,-
9K13 00 71	Draining rack, Angular	150,-



## View of holes for tap fittings

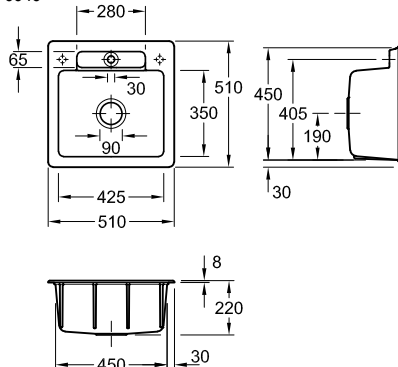
3345



When ordering, please specify the tap hole you would like us to drill for you, by using tap hole reference number (see page 7).  
Diameter: ca. 35 mm  
Additional charge: 5.00 £/tap hole.

## Engineering data

3345



Please refer to the assembly instructions and cut-out dimensions of the countertop on page 108

# SUBWAY STYLE 50 FLAT

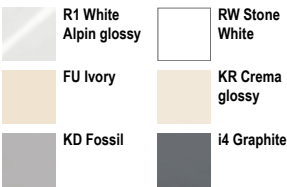


- Available with bowl on the right or left-hand side
- For flush-fit installation in natural stone, ceramic, glass and quartz stone worktops
- Minimum width of undersink cabinet: 50 cm
- Registered design
- Compatible with all soap dispensers on page 100
- Further selection of cover caps for turn lever on page 104

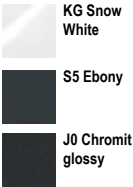


Ref.	Description (for XX, please enter colour number)	€ excl. VAT	
		Classicline	Premiumline
3351 1F XX	Sink basin right inclusive Waste system, Round hand-operated	1.074,-	1.210,-
3352 1F XX	Sink basin left inclusive Waste system, Round hand-operated	1.074,-	1.210,-
3351 2F XX	Sink basin right inclusive Waste system, Round pop-up	1.183,-	1.319,-
3352 2F XX	Sink basin left inclusive Waste system, Round pop-up	1.183,-	1.319,-

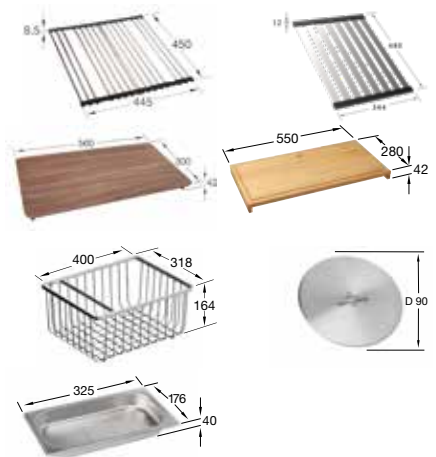
### Classicline CeramicPlus



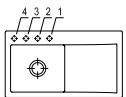
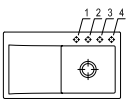
### Premiumline CeramicPlus



Ref.	Optional accessories / spare parts	Price
9K08 00 K1	Rolling mat, Angular, Stainless steel	132,-
9K13 00 71	Draining rack, Angular	150,-
9K13 00 05	Folding draining rack, Angular, anthracite	150,-
8K36 10 00	Universal cutting board walnut, Angular	200,-
8K00 10 00	Universal beechwood cutting board, Angular	141,-
9K11 00 K1	Salad basket, Angular, Stainless steel	236,-
9624 15 LC	Cap waste cover, Round, stainless steel	43,-
8299 06 K1	Steamer container 1/3, Angular, Stainless steel	56,-
8276 00 61	Waste system, Round hand-operated, chrome	77,-
8286 10 00	Waste system, Round pop-up	186,-



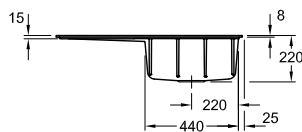
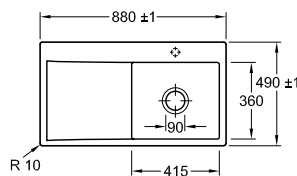
### View of holes for tap fittings



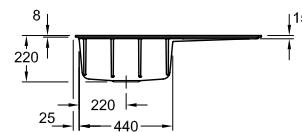
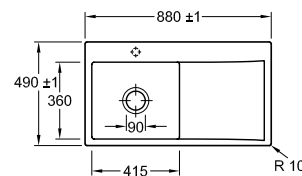
When ordering, please specify the tap hole you would like us to drill for you, by using tap hole reference number (see page 7).  
Diameter: ca. 35 mm  
Additional charge: 5.00 £/tap hole.

### Engineering data

3351



3352



Please refer to the assembly instructions and cut-out dimensions of the countertop on page 117  
Recess in worktop: 87 x 48 cm

# SUBWAY 50 S FLAT



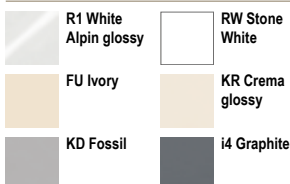
- For flush-fit installation in natural stone, ceramic, glass and quartz stone worktops
- Minimum width of undersink cabinet: 50 cm
- Minimum thickness of the countertop: at least 3 cm
- Steamer containers 1/3 and 2/3 compatible with salad basket
- Registered design
- Compatible with all soap dispensers on page 100
- Further selection of cover caps for turn lever on page 104



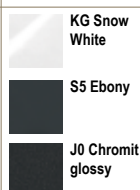
€ excl. VAT

Ref.	Description (for XX, please enter colour number)	Classicline	Premiumline
3315 1F XX	Sink inclusive Waste system, Round hand-operated	964,-	1.084,-
3315 2F XX	Sink inclusive Waste system, Round pop-up	1.073,-	1.193,-

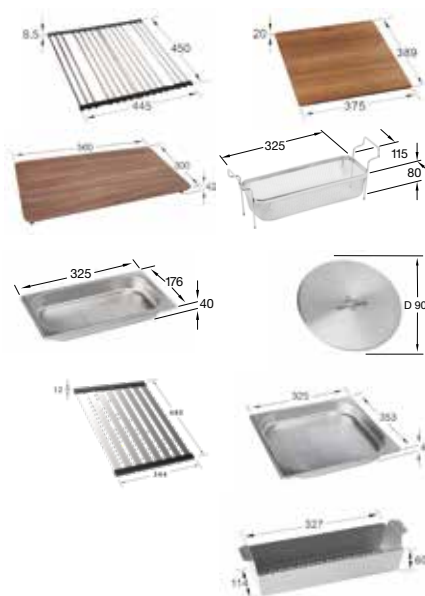
## Classicline CeramicPlus



## Premiumline CeramicPlus

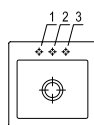


Ref.	Optional accessories / spare parts	Price
9K08 00 K1	Rolling mat, Angular, Stainless steel	132,-
8K33 10 00	Cutting board walnut, Angular	174,-
8K36 10 00	Universal cutting board walnut, Angular	200,-
8K99 10 00	Accessory set: a universal cutting board made of beech and a stainless steel salad basket	164,-
9K04 00 K1	Inset strainer, Angular, Stainless steel	75,-
9220 58 00	Installation kit	24,-
9624 15 LC	Cap waste cover, Round, stainless steel	43,-
8299 06 K1	Steamer container 1/3, Angular, Stainless steel	56,-
8299 05 K1	Steamer container 2/3, Angular, Stainless steel	77,-
8276 00 61	Waste system, Round hand-operated, chrome	77,-
8286 10 00	Waste system, Round pop-up	186,-
9K13 00 71	Draining rack, Angular	150,-
8K37 00 K1	Strainer bowl, Angular, Stainless steel	140,-



## View of holes for tap fittings

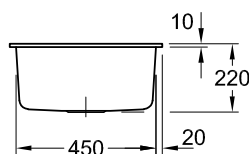
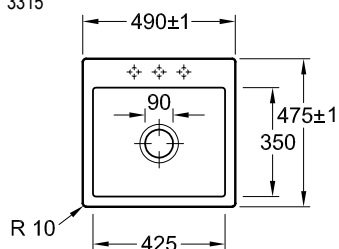
3315



When ordering, please specify the tap hole you would like us to drill for you, by using tap hole reference number (see page 6).  
Diameter: ca. 35 mm  
Additional charge: 9,00 €/model.

## Engineering data

3315



Please refer to the assembly instructions and cut-out dimensions of the countertop on page 117

# TIMELINE 50 FLAT



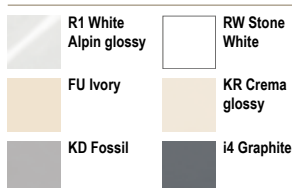
- The sink is reversible
- For flush-fit installation in natural stone, ceramic, glass and quartz stone worktops
- Minimum width of undersink cabinet: 50 cm
- Minimum thickness of the countertop when placed with a dishwasher: at least 4 cm
- Compatible with all soap dispensers on page 100
- Further selection of cover caps for turn lever on page 104



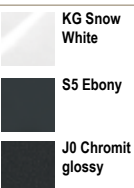
€ excl. VAT

Ref.	Description (for XX, please enter colour number)	€ excl. VAT	
		Classicline	Premiumline
3307 1F XX	Sink inclusive Waste system, Round hand-operated	1.176,-	1.326,-
3307 2F XX	Sink inclusive Waste system, Round pop-up	1.285,-	1.435,-

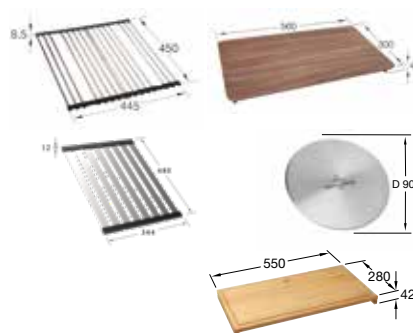
## Classicline CeramicPlus



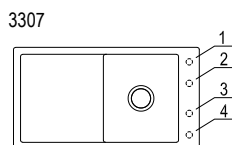
## Premiumline CeramicPlus



Ref.	Optional accessories / spare parts	Price
9K08 00 K1	Rolling mat, Angular, Stainless steel	132,-
8K36 10 00	Universal cutting board walnut, Angular	200,-
8K29 10 00	Accessory set: a universal cutting board made of beech and a stainless steel salad basket	164,-
9220 58 00	Installation kit	24,-
9624 15 LC	Cap waste cover, Round, stainless steel	43,-
8276 00 61	Waste system, Round hand-operated, chrome	77,-
8286 10 00	Waste system, Round pop-up	186,-
9K13 00 71	Draining rack, Angular	150,-

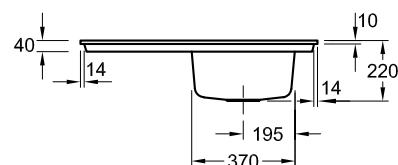
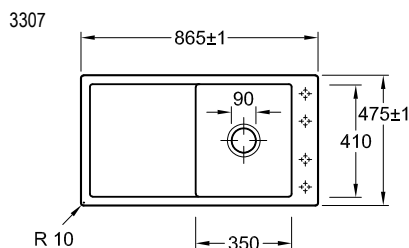


## View of holes for tap fittings



When ordering, please specify the tap hole you would like us to drill for you, by using tap hole reference number (see page 6).  
Diameter: ca. 35 mm  
Additional charge: 9,00 €/model.

## Engineering data



Please refer to the assembly instructions and cut-out dimensions of the countertop on page 117

# SILUET 45 FLAT



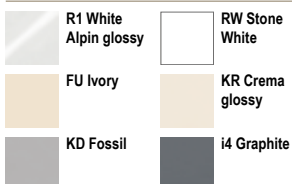
- The sink is reversible
- For flush-fit installation in natural stone, ceramic, glass and quartz stone worktops
- Minimum width of undersink cabinet: 45 cm
- Minimum thickness of the countertop when placed with a dishwasher: at least 3 cm
- Steamer container 1/3 compatible with salad basket
- **Material: TitanCeram**
- Compatible with all soap dispensers on page 100
- Further selection of cover caps for turn lever on page 104



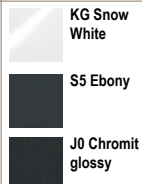
€ excl. VAT

Ref.	Description (for XX, please enter colour number)	Classicline	Premiumline
3334 1F XX	Sink inclusive Waste system, Round hand-operated	1.057,-	1.191,-
3334 2F XX	Sink inclusive Waste system, Round pop-up	1.166,-	1.300,-

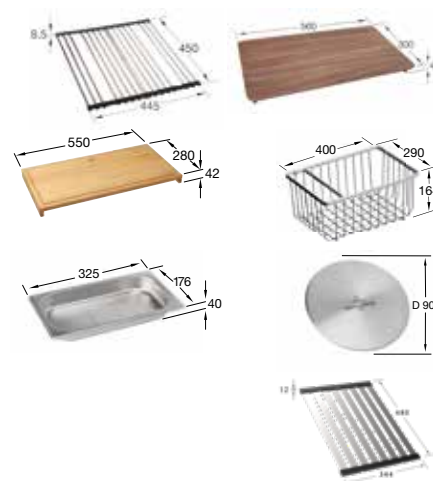
## Classicline CeramicPlus



## Premiumline CeramicPlus

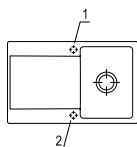


Ref.	Optional accessories / spare parts	Price
9K08 00 K1	Rolling mat, Angular, Stainless steel	132,-
8K36 10 00	Universal cutting board walnut, Angular	200,-
8K00 10 00	Universal beechwood cutting board, Angular	141,-
9K12 00 K1	Salad basket, Angular, Stainless steel	223,-
9220 58 00	Installation kit	24,-
9624 15 LC	Cap waste cover, Round, stainless steel	43,-
8299 06 K1	Steamer container 1/3, Angular, Stainless steel	56,-
8276 00 61	Waste system, Round hand-operated, chrome	77,-
8286 10 00	Waste system, Round pop-up	186,-
9K13 00 71	Draining rack, Angular	150,-



## View of holes for tap fittings

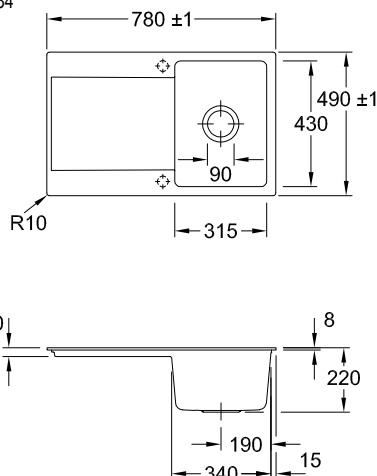
3334



When ordering, please specify the tap hole you would like us to drill for you, by using tap hole reference number (see page 6).  
Diameter: ca. 35 mm  
Additional charge: 9,00 €/model.

## Engineering data

3334



Please refer to the assembly instructions and cut-out dimensions of the countertop on page 117

# SUBWAY 45 FLAT



- Available with bowl on the right or left-hand side
- For flush-fit installation in natural stone, ceramic, glass and quartz stone worktops
- Minimum width of undersink cabinet: 45 cm
- Minimum thickness of the countertop when placed with a dishwasher: at least 4 cm
- Registered design
- Compatible with all soap dispensers on page 100
- Further selection of cover caps for turn lever on page 104

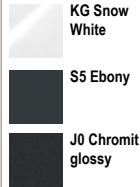


Ref.	Description (for XX, please enter colour number)	€ excl. VAT	
		Classicline	Premiumline
6714 1F XX	Sink basin right inclusive Waste system, Round hand-operated	986,-	1.109,-
6772 1F XX	Sink basin left inclusive Waste system, Round hand-operated	986,-	1.109,-
6714 2F XX	Sink basin right inclusive Waste system, Round pop-up	1.095,-	1.218,-
6772 2F XX	Sink basin left inclusive Waste system, Round pop-up	1.095,-	1.218,-

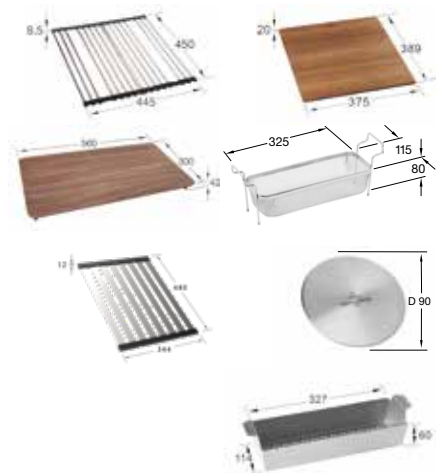
### Classicline CeramicPlus



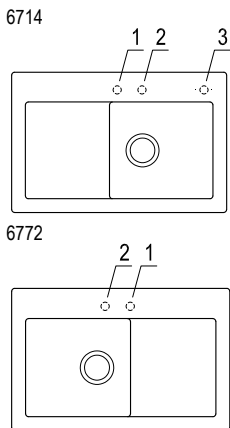
### Premiumline CeramicPlus



Ref.	Optional accessories / spare parts	Price
9K08 00 K1	Rolling mat, Angular, Stainless steel	132,-
8K33 10 00	Cutting board walnut, Angular	174,-
8K36 10 00	Universal cutting board walnut, Angular	200,-
8K06 10 00	Accessory set: a universal cutting board made of beech and a stainless steel salad basket	164,-
9K04 00 K1	Inset strainer, Angular, Stainless steel	75,-
9220 58 00	Installation kit	24,-
9624 15 LC	Cap waste cover, Round, stainless steel	43,-
8276 00 61	Waste system, Round hand-operated, chrome	77,-
8286 10 00	Waste system, Round pop-up	186,-
9K13 00 71	Draining rack, Angular	150,-
8K37 00 K1	Strainer bowl, Angular, Stainless steel	140,-

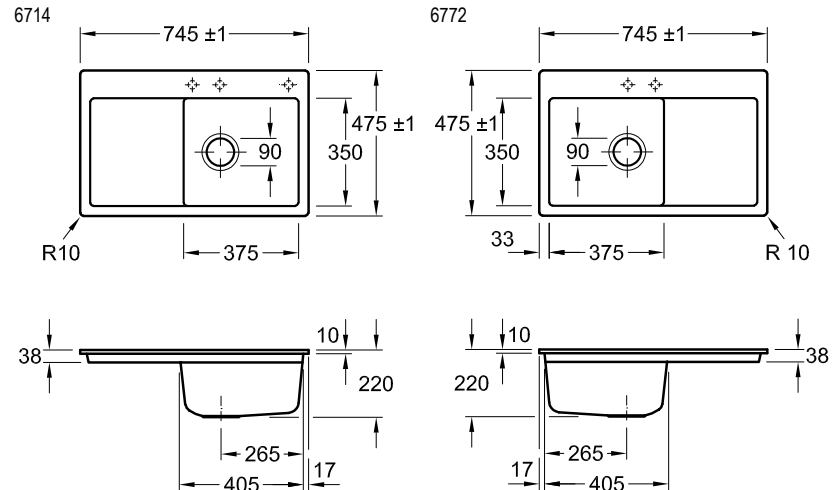


### View of holes for tap fittings



When ordering, please specify the tap hole you would like us to drill for you, by using tap hole reference number (see page 6).  
Diameter: ca. 35 mm  
Additional charge: 9,00 €/model.

### Engineering data



Please refer to the assembly instructions and cut-out dimensions of the countertop on page 117



# SUBWAY 45 XS FLAT

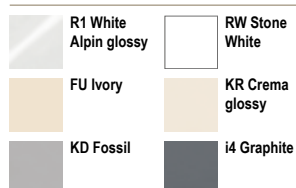


- For flush-fit installation in natural stone, ceramic, glass and quartz stone worktops
- Minimum width of undersink cabinet: 45 cm
- Minimum thickness of the countertop: at least 3 cm
- Compatible with all soap dispensers on page 100
- Further selection of cover caps for turn lever on page 104

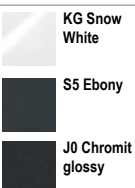


Ref.	Description (for XX, please enter colour number)	€ excl. VAT	
		Classicline	Premiumline
6781 1F XX	Sink inclusive Waste system, Round hand-operated	937,-	1.052,-
6781 2F XX	Sink inclusive Waste system, Round pop-up	1.046,-	1.161,-

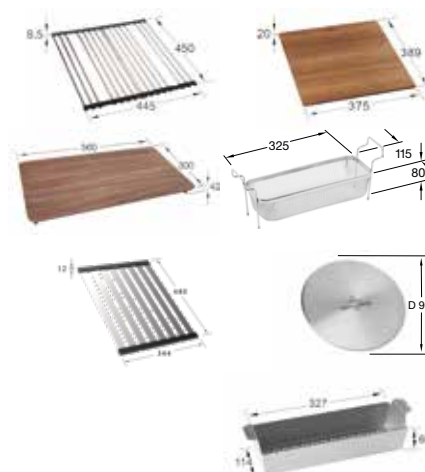
## Classicline CeramicPlus



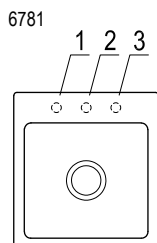
## Premiumline CeramicPlus



Ref.	Optional accessories / spare parts	Price
9K08 00 K1	Rolling mat, Angular, Stainless steel	132,-
8K33 10 00	Cutting board walnut, Angular	174,-
8K36 10 00	Universal cutting board walnut, Angular	200,-
8K06 10 00	Accessory set: a universal cutting board made of beech and a stainless steel salad basket	164,-
9K04 00 K1	Inset strainer, Angular, Stainless steel	75,-
9220 58 00	Installation kit	24,-
9624 15 LC	Cap waste cover, Round, stainless steel	43,-
8276 00 61	Waste system, Round hand-operated, chrome	77,-
8286 10 00	Waste system, Round pop-up	186,-
9K13 00 71	Draining rack, Angular	150,-
8K37 00 K1	Strainer bowl, Angular, Stainless steel	140,-

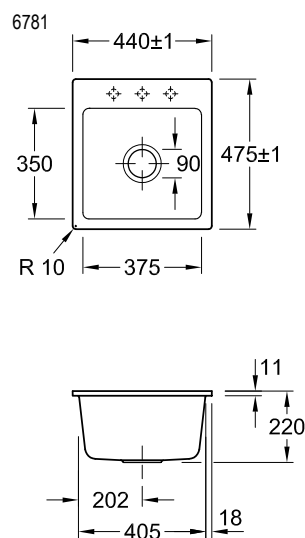


## View of holes for tap fittings



When ordering, please specify the tap hole you would like us to drill for you, by using tap hole reference number (see page 6).  
Diameter: ca. 35 mm  
Additional charge: 9,00 €/model.

## Engineering data



Please refer to the assembly instructions and cut-out dimensions of the countertop on page 117

# MODULES / CORNER SINKS: OVERVIEW

## Modules



**Monumentum**

896x896 mm  
3303 (75)



**Double-bowl sink**

895x630 mm  
6323 (76)



**Single-bowl sink**

595x630 mm  
6320 (77)



**Farmhouse 90 X**

900x550 mm  
6390 (78)



**Farmhouse 80 X**

795x500 mm  
6380 (79)



**Farmhouse 60 X**

595x500 mm  
6360 (80)

## Corner sinks



**Arena corner**

975x625 mm  
6729 (81)



**Solo corner**

1075x600 mm  
6708 (82)

# MONUMENTUM

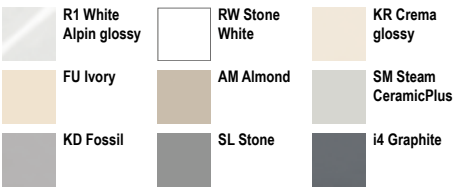


- Corner element
- Installation on a corner undersink cabinet with 90 cm side length
- Minimum width of undersink cabinet: 90 cm
- 2 basins, closable
- Compatible with all soap dispensers on page 100
- Further selection of cover caps for double turn lever on page 104

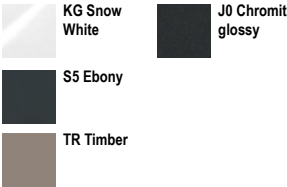


Ref.	Description (for XX, please enter colour number)	€ excl. VAT	
		Classicline	Premiumline
3303 01 XX	Corner element inclusive Waste system, Round hand-operated and Fastening set	2.114,-	2.397,-
3303 02 XX	Corner element inclusive Waste system, Round pop-up and Fastening set	2.200,-	2.483,-

### Classicline CeramicPlus



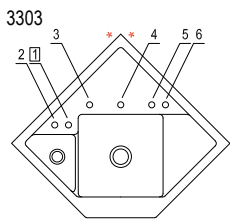
### Premiumline CeramicPlus



Ref.	Optional accessories / spare parts	Price
9K08 00 K1	Rolling mat, Angular, Stainless steel	132,-
9624 15 LC	Cap waste cover, Round, stainless steel	43,-
8K18 00 61	Waste system, Round hand-operated, chrome	99,-
8K19 10 00	Waste system, Round pop-up	186,-

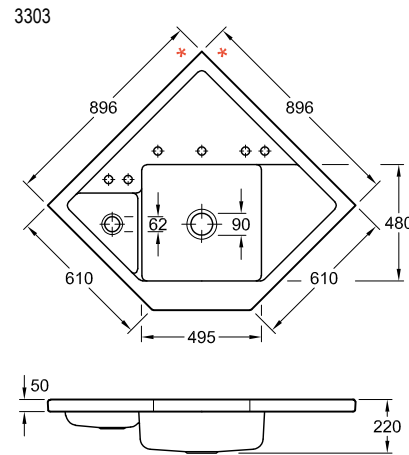


### View of holes for tap fittings



When ordering, please specify the tap hole you would like us to drill for you, by using tap hole reference number (see page 6).  
 Diameter: ca. 35 mm  
 Additional charge: 9,00 €/model.  
 The tap holes marked with an □ are punched through as standard at the factory.  
 Hole 6 cannot be used for the pop-up waste

### Engineering data



\* unglazed edge  
 Please refer to the assembly instructions

# DOUBLE-BOWL SINK

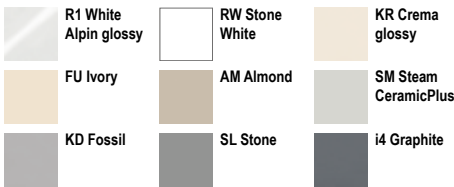


- Assembly on a vanity unit or wall-mounted
- Minimum width of undersink cabinet: 90 cm
- 2 basins, closable
- Compatible with all soap dispensers on page 100
- Further selection of cover caps for double turn lever on page 104



Ref.	Description (for XX, please enter colour number)	€ excl. VAT		
		Classiline	Premiumline	Trendline
6323 91 XX	Double-bowl sink inclusive Strainer bowl, Angular, Waste system, Round hand-operated and Fastening set for installation with cabinet	1.841,-	2.071,-	2.224,-
6323 92 XX	Double-bowl sink inclusive Strainer bowl, Angular, Waste system, Round pop-up and Fastening set for installation with cabinet	1.928,-	2.157,-	2.310,-

### Classiline CeramicPlus



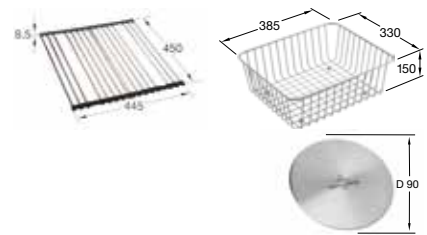
### Premiumline CeramicPlus



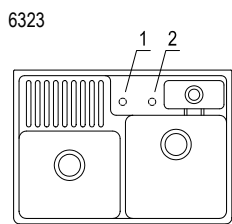
### Trendline CeramicPlus



Ref.	Optional accessories / spare parts	Price
9K08 00 K1	Rolling mat, Angular, Stainless steel	132,-
8341 00 K1	Salad basket, Angular for double-bowl sink 6323, Stainless steel	163,-
9208 47 00	Fastening set for wall-mounting without cabinet	154,-
9624 15 LC	Cap waste cover, Round, stainless steel	43,-
8262 00 61	Waste system, Round hand-operated, chrome	99,-
8232 10 00	Waste system, Round pop-up	186,-
8323 00 K2	Strainer bowl, Angular, transparent	61,-

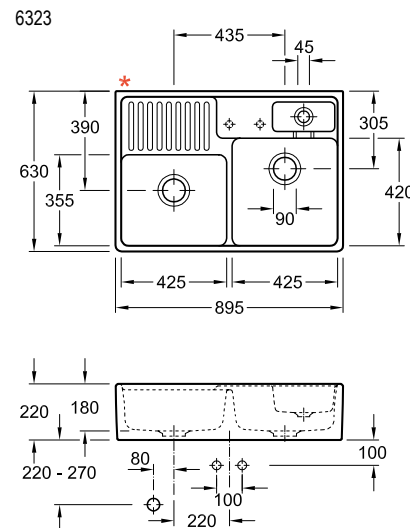


### View of holes for tap fittings



When ordering, please specify the tap hole you would like us to drill for you, by using tap hole reference number (see page 6).  
Diameter: ca. 35 mm  
Additional charge: 9,00 €/model.

### Engineering data



\* unglazed edge  
Please refer to the assembly instructions

# SINGLE-BOWL SINK

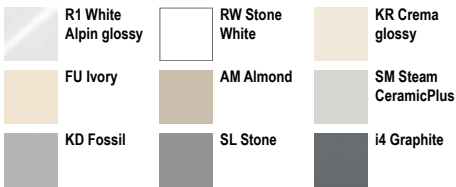


- Assembly on a vanity unit or wall-mounted
- Minimum width of undersink cabinet: 60 cm
- Compatible with the soap dispenser 9236 20 on page 100
- Further selection of cover caps for turn lever on page 104

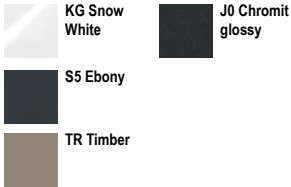


Ref.	Description (for XX, please enter colour number)	€ excl. VAT		
		Classicline	Premiumline	Trendline
6320 61 XX	Single-bowl sink inclusive Waste system, Round hand-operated and Fastening set for installation with cabinet	1.062,-	1.187,-	1.270,-
6320 62 XX	Single-bowl sink inclusive Waste system, Round pop-up and Fastening set for installation with cabinet	1.171,-	1.295,-	1.379,-

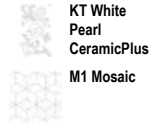
### Classicline CeramicPlus



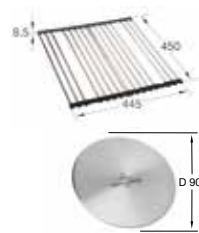
### Premiumline CeramicPlus



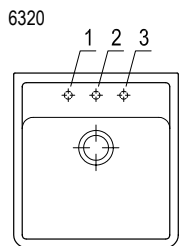
### Trendline CeramicPlus



Ref.	Optional accessories / spare parts	Price
9K08 00 K1	Rolling mat, Angular, Stainless steel	132,-
9208 47 00	Fastening set for wall-mounting without cabinet	154,-
9624 15 LC	Cap waste cover, Round, stainless steel	43,-
8270 00 61	Waste system, Round hand-operated, chrome	77,-
8233 10 00	Waste system, Round pop-up	186,-

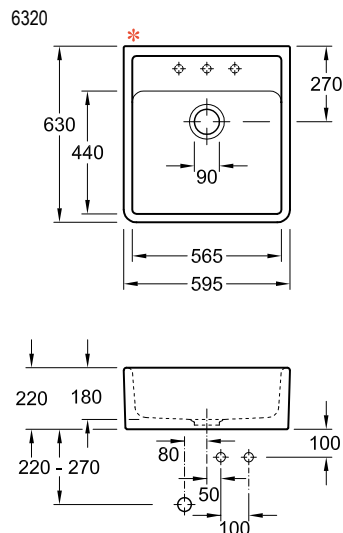


### View of holes for tap fittings



When ordering, please specify the tap hole you would like us to drill for you, by using tap hole reference number (see page 6).  
Diameter: ca. 35 mm  
Additional charge: 9,00 €/model.

### Engineering data



\* unglazed edge  
Please refer to the assembly instructions

# FARMHOUSE 90 X



- Assembly on a vanity unit
- Installation in natural or artificial stone countertops recommended
- Minimum width of undersink cabinet: 90 cm
- 2 basins, closable
- **Note for planning: The rear is unglazed and the projection is 55 cm. Overhang varies depending on the furniture manufacturer.**
- Compatible with all soap dispensers on page 100
- Further selection of cover caps for double turn lever on page 104



Ref.	Description (for XX, please enter colour number)	€ excl. VAT	
		Classicline	Premiumline
6390 01 XX	Double-bowl sink inclusive Waste system, Round hand-operated	1.435,-	1.617,-
6390 02 XX	Double-bowl sink inclusive Waste system, Round pop-up	1.526,-	1.708,-

## Classicline CeramicPlus



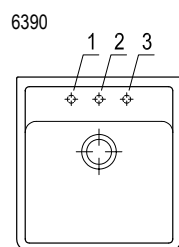
## Premiumline CeramicPlus



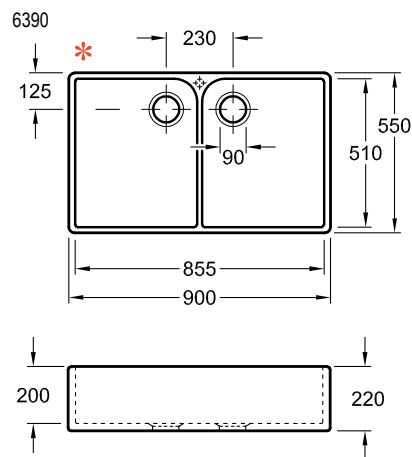
Ref.	Optional accessories / spare parts	Price
9624 15 LC	Cap waste cover, Round, stainless steel	43,-
8223 00 61	Waste system, Round hand-operated, chrome	132,-
8226 10 00	Waste system, Round pop-up	223,-



## View of holes for tap fittings



## Engineering data



\* unglazed edge  
Please refer to the assembly instructions

# FARMHOUSE 80 X



- Assembly on a vanity unit
- Installation in natural or artificial stone countertops recommended
- Minimum width of undersink cabinet: 80 cm
- 2 basins, closable
- **Note for planning:** The rear is unglazed and the projection is 50 cm. Overhang varies depending on the furniture manufacturer.
- Compatible with all soap dispensers on page 100
- Further selection of cover caps for double turn lever on page 104



Ref.	Description (for XX, please enter colour number)	€ excl. VAT	
		Classicline	Premiumline
6380 01 XX	Double-bowl sink inclusive Waste system, Round hand-operated	1.198,-	1.345,-
6380 02 XX	Double-bowl sink inclusive Waste system, Round pop-up	1.289,-	1.435,-

### Classicline CeramicPlus



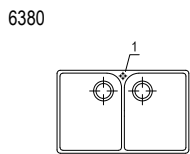
### Premiumline CeramicPlus



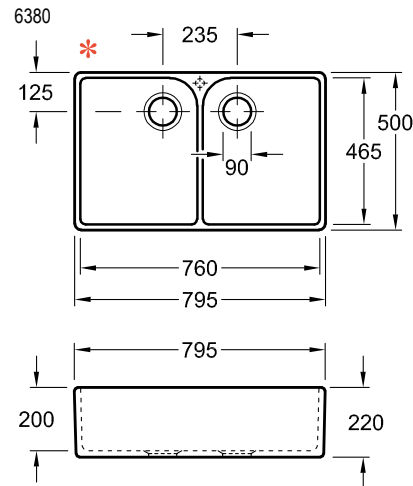
Ref.	Optional accessories / spare parts	Price
9624 15 LC	Cap waste cover, Round, stainless steel	43,-
8223 00 61	Waste system, Round hand-operated, chrome	132,-
8226 10 00	Waste system, Round pop-up	223,-



### View of holes for tap fittings



### Engineering data



\* unglazed edge  
Please refer to the assembly instructions

# FARMHOUSE 60 X

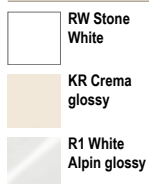


- Assembly on a vanity unit
- Installation in natural or artificial stone countertops recommended
- Minimum width of undersink cabinet: 60 cm
- **Note for planning:** The rear is unglazed and the projection is 50 cm. Overhang varies depending on the furniture manufacturer.
- Compatible with all soap dispensers on page 100
- Further selection of cover caps for turn lever on page 104



Ref.	Description (for XX, please enter colour number)	€ excl. VAT	
		Classicline	Premiumline
6360 01 XX	Single-bowl sink inclusive Waste system, Round hand-operated	898,-	1.007,-
6360 02 XX	Single-bowl sink inclusive Waste system, Round pop-up	1.007,-	1.116,-

## Classicline CeramicPlus



## Premiumline CeramicPlus

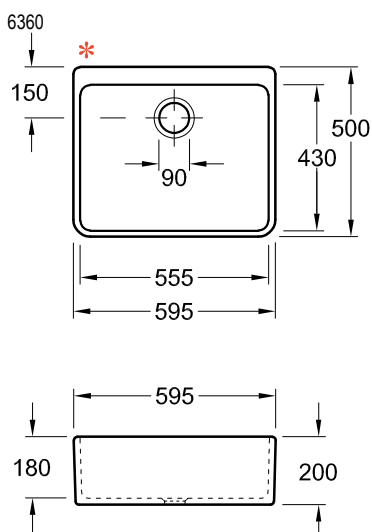


Ref.	Optional accessories / spare parts	Price
9K08 00 K1	Rolling mat, Angular, Stainless steel	132,-
9624 15 LC	Cap waste cover, Round, stainless steel	43,-
8270 00 61	Waste system, Round hand-operated, chrome	77,-
8286 50 00	Waste system, Round pop-up	186,-



## View of holes for tap fittings

## Engineering data



\* unglazed edge  
Please refer to the assembly instructions



# ARENA CORNER

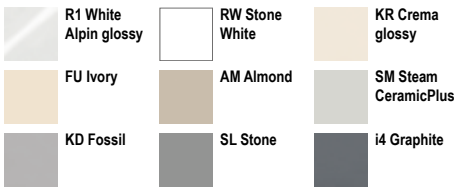


- Corner sink
- For surface-mounted installation
- Installation on a corner undersink cabinet with 90 cm side length
- Registered design
- Further selection of cover caps for turn lever on page 104



Ref.	Description (for XX, please enter colour number)	€ excl. VAT	
		Classicline	Premiumline
6729 01 XX	Corner sink with additional outlet in the draining board inclusive Strainer bowl, Angular and Waste system, Round hand-operated	1.461,-	1.642,-
6729 02 XX	Corner sink with additional outlet in the draining board inclusive Strainer bowl, Angular and Waste system, Round pop-up	1.548,-	1.728,-

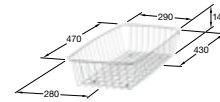
## Classicline CeramicPlus



## Premiumline CeramicPlus

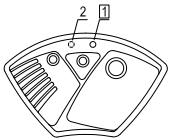


Ref.	Optional accessories / spare parts	Price
8349 00 K1	Salad basket, Angular, Stainless steel	163,-
9624 15 LC	Cap waste cover, Round, stainless steel	43,-
8248 00 61	Waste system, Round hand-operated, chrome	99,-
8249 10 00	Waste system, Round pop-up	186,-
9837 00 K2	Strainer bowl, Angular, transparent	65,-



## View of holes for tap fittings

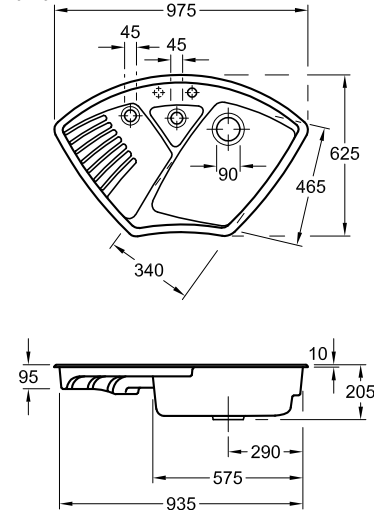
6729



When ordering, please specify the tap hole you would like us to drill for you, by using tap hole reference number (see page 6).  
Diameter: ca. 35 mm  
Additional charge: 9,00 €/model.  
The tap holes marked with an # are punched through as standard at the factory.

## Engineering data

6729



Required size of worktop: see attached template (Ref. 9307 22 A0)  
Please refer to the assembly instructions

# SOLO CORNER

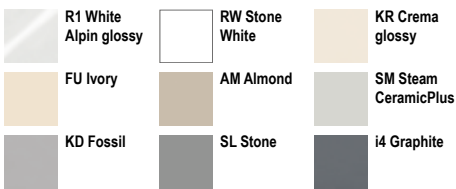


- Corner sink
- For surface-mounted installation
- Installation on a corner undersink cabinet with 90 cm side length
- 2 basins, closable
- Registered design
- Further selection of cover caps for double turn lever on page 104

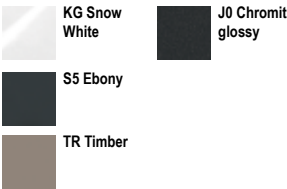


Ref.	Description (for XX, please enter colour number)	€ excl. VAT	
		Classicline	Premiumline
6708 01 XX	Corner sink inclusive Waste system, Round hand-operated and Strainer bowl, Angular	1.259,-	1.411,-
6708 02 XX	Corner sink inclusive Waste system, Round pop-up and Strainer bowl, Angular	1.340,-	1.492,-

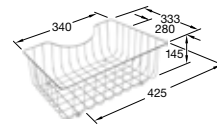
### Classicline CeramicPlus



### Premiumline CeramicPlus

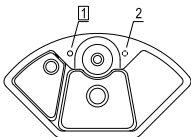


Ref.	Optional accessories / spare parts	Price
8K09 00 K1	Salad basket, Angular, Stainless steel	163,-
9624 15 LC	Cap waste cover, Round, stainless steel	43,-
8K80 00 61	Waste system, Round hand-operated, chrome	95,-
8K81 10 00	Waste system, Round pop-up	176,-
9888 50 K2	Strainer bowl, Angular, transparent	63,-



### View of holes for tap fittings

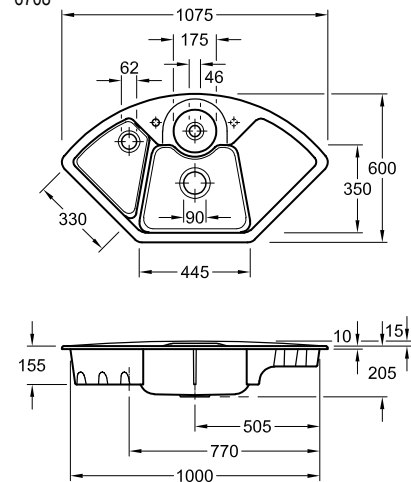
6708



When ordering, please specify the tap hole you would like us to drill for you, by using tap hole reference number (see page 6).  
Diameter: ca. 35 mm  
Additional charge: 9,00 €/model.  
The tap holes marked with an □ are punched through as standard at the factory.

### Engineering data

6708



Required size of worktop: see attached template (Ref. 9307 B3 A5)  
Please refer to the assembly instructions

# KITCHEN TAPS ADVANTAGES

## INTELLIGENT DETAILS FOR SOPHISTICATED KITCHENS

Ranging from traditional to modern, Villeroy & Boch premium kitchen taps are available in a wide variety of styles. Perfectly matched to the design of your kitchen sink, they offer maximum functionality and perfect comfort for every room. Discover the many advantages of our taps series and benefit from our unique quality.



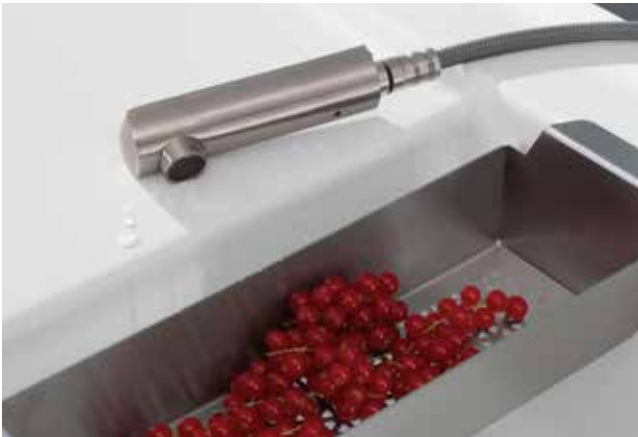
### COLOURFUL DESIGNS

Our taps are perfectly matched to the kitchen sinks. 5 lightfast colours are available for selected collections and add the finishing touch to a harmonious colour scheme.



### MAXIMUM COMFORT

Additional functions, such as a retractable hand shower, different types of water jet and low-pressure solutions, offer maximum comfort in everyday use.



### HIGH-QUALITY MATERIAL









Thanks to premium stainless steel, the taps are more robust, rust-proof, easy to clean, lead-free and durable. The components inside are sourced from European market leaders.



### OPTIMUM INSTALLATION

Solutions for installation directly in front of the window and external connectors ensure quick and easy installation in every situation.

# KITCHEN TAPS ADVANTAGES

	Technology								Colours			
	 1	 2	 3	 4	 5	 6	 7	 8	Polished stainless steel	Solid stainless steel	Gold / Bronze	Anthracite
AVIA 2.0	■				■	■				■	■	■
COMO	■					■			■	■		■
COMO SHOWER	■	■				■			■	■		■
COMO SKY				■		■				■		
COMO SKY SHOWER		■		■		■				■		
COMO WINDOW						■				■		■
COMO SHOWER WINDOW		■				■				■		■
COMO SWITCH		■	■			■		■	■	■		
COMO X						■				■		
FINERA				■	■	■				■	■	■
FINERA SQUARE				■	■	■				■		
JUNIS SHOWER		■	■				■	■		■		
JUNIS SKY SHOWER		■	■		■		■	■		■		
MODERN STEEL	■				■	■			■	■		■
STEEL SHOWER	■	■			■	■				■		■
SORANO				■		■				■		
SORANO SHOWER		■		■		■				■		
SORANO SKY				■	■	■				■		
SORANO SKY SHOWER		■		■	■	■				■		
STEEL EXPERT 2.0		■	■		■		■	■		■		■
STEEL EXPERT COMPACT		■	■		■		■	■		■		■
SUBWAY STYLE SHOWER		■	■		■		■	■		■		■
UMBRELLA					■	■			■	■	■	■
UMBRELLA FLEX		■			■	■			■	■	■	■

- 1) **Low-pressure variant:** The low-pressure variant, thanks to an additional connection hose and in conjunction with an external instantaneous water heater, also enables households without their own hot water supply to make optimum use of it in the kitchen.
- 2) **Pull-out, hand-held spray:** high flexibility when cleaning pots and pans. Extensive freedom of movement for the hand-held spray ensures that all types and sizes of pot and other receptacles can be filled with ease
- 3) **Spray mode button:** For fast and simple switching between the different spray modes.
- 4) **Adjustable aerator:** The flexible aerator enables individual adjustment of the spray direction to enlarge the sphere of action.
- 5) **Comfort Plus:** A tap fitting of a practical height, offering plenty of freedom of movement – the perfect thing for easier cleaning of baking trays and for filling large vessels, for example.
- 6) **Comfort jet:** The aerated comfort jet saves water, is pleasant on the skin and offers convenience when rinsing off food and kitchen utensils.
- 7) **Laminar jet:** The crystal clear jet is perfect for practically splash-free washing of fruit and vegetables.
- 8) **Spray jet:** Powerful, efficient water jet - ideal for cleaning pots and pans

# AVIA 2.0

€ excl. VAT

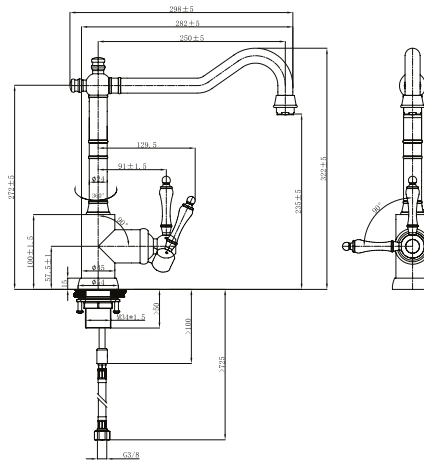
## Avia 2.0



Article number	Description	Price
9240 00 LC	Stainless steel	552,-
9240 00 03	Gold	718,-
9240 00 04	Bronze	718,-
9240 00 05	Anthracite	718,-

You can find matching **soap dispensers, cap valve covers, cover caps for the overflow and cover caps for turn handles** from page 102.

- Material: solid stainless steel
- Cartridge material: plastic, ceramic gaskets
- Swivel range: 360°
- Opening angle of lever: 25°
- Tap can be installed directly in front of a wall as the water temperature is regulated within a 90° range towards the sink
- Flow volume comfort jet: 11.2 l/min
- Flexible connection hoses, length 600 mm



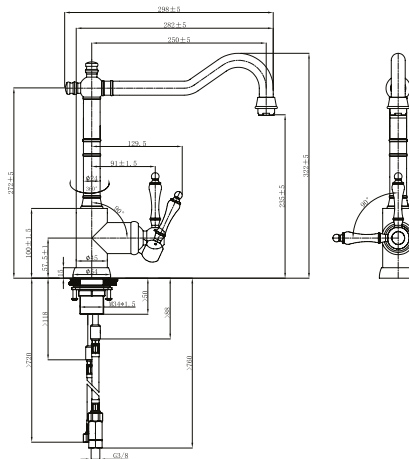
## Avia 2.0 low pressure



Article number	Description	Price
9240 11 LC	Stainless steel	601,-

You can find matching **soap dispensers, cap valve covers, cover caps for the overflow and cover caps for turn handles** from page 102.

- Material: solid stainless steel
- Cartridge material: plastic, ceramic gaskets
- Swivel range: 360°
- Opening angle of lever: 25°
- Tap can be installed directly in front of a wall as the water temperature is regulated within a 90° range towards the sink
- Flow volume comfort jet: 11,4 l/Min
- Flexible connection hoses, length 600 mm



# COMO

€ excl. VAT

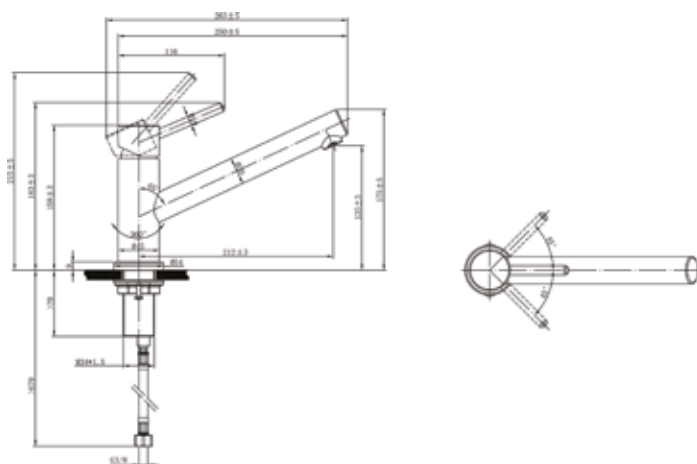
## Como



Article number	Description	Price
9251 00 LC	Stainless steel	363,-
9251 00 LE	Stainless steel polished	363,-
9251 00 05	Anthracite	463,-

You can find matching **soap dispensers, cap valve covers, cover caps for the overflow and cover caps for turn handles** from page 102.

- Material: solid stainless steel
- Cartridge material: plastic, ceramic gaskets
- Swivel range: 360°
- Opening angle of lever: 25°
- Flow volume comfort jet: 15.3 l/min
- Flexible connection hoses, length 600 mm



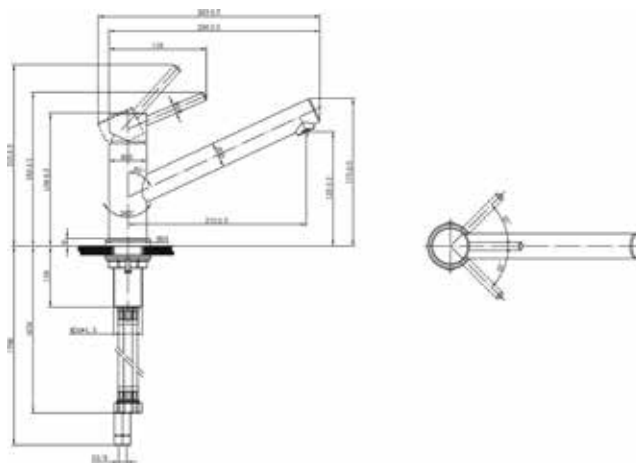
## Como low pressure



Article number	Description	Price
9251 11 LC	Stainless steel	454,-
9251 11 05	Anthracite	571,-

You can find matching **soap dispensers, cap valve covers, cover caps for the overflow and cover caps for turn handles** from page 102.

- Material: solid stainless steel
- Cartridge material: plastic, ceramic gaskets
- Swivel range: 360°
- Opening angle of lever: 25°
- Flow volume comfort jet: 12.5 l/min
- Flexible connection hoses, length 600 mm



# COMO SHOWER

€ excl. VAT

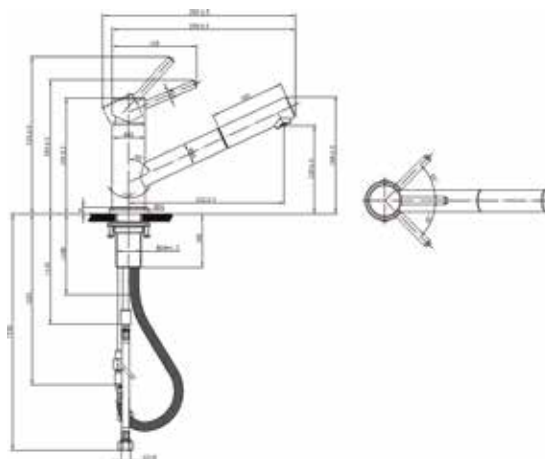
## Como Shower



Article number	Description	Price
9252 00 LC	Stainless steel	483,-
9252 00 LE	Stainless steel polished	483,-
9252 00 05	Anthracite	614,-

You can find matching soap dispensers, cap valve covers, cover caps for the overflow and cover caps for turn handles from page 102.

- Material: solid stainless steel
- Cartridge material: plastic, ceramic gaskets
- Swivel range: 120°
- Opening angle of lever: 25°
- Shower hose: integrated, retractable, length 1800 mm
- Flow volume comfort jet: 12.6 l/min
- Flexible connection hoses, length 600 mm
- Retraction of spray head by means of a retraction spring



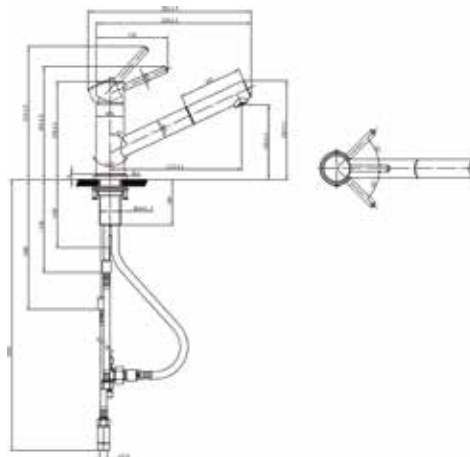
## Como Shower low pressure



Article number	Description	Price
9252 11 LC	Stainless steel	604,-
9252 11 05	Anthracite	754,-

You can find matching soap dispensers, cap valve covers, cover caps for the overflow and cover caps for turn handles from page 102.

- Material: solid stainless steel
- Cartridge material: plastic, ceramic gaskets
- Swivel range: 120°
- Opening angle of lever: 25°
- Shower hose: integrated, retractable, length 1800 mm
- Flow volume comfort jet: 8.0 l/min
- Flexible connection hoses, length 600 mm
- Retraction of spray head by means of a retraction spring



# COMO SKY / COMO SKY SHOWER

€ excl. VAT

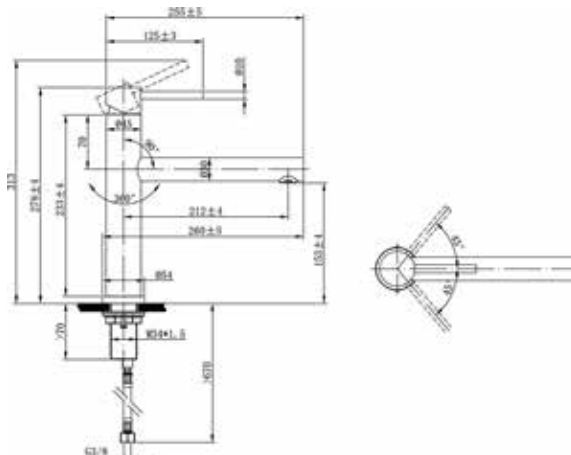
## Como Sky



Article number	Description	Price
9278 00 LC	Stainless steel	503,-

You can find matching **soap dispensers**, **cap valve covers**, **cover caps for the overflow** and **cover caps for turn handles** from page 102.

- Material: solid stainless steel
- Cartridge material: plastic, ceramic gaskets
- Swivel range: 360°
- Opening angle of lever: 25°
- Flow volume comfort jet: 9.4 l/min
- Flexible connection hoses, length 600 mm
- Adjustable aerator



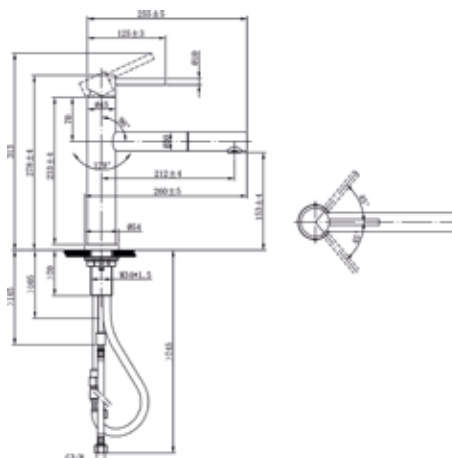
## Como Sky Shower



Article number	Description	Price
9279 00 LC	Stainless steel	620,-

You can find matching **soap dispensers**, **cap valve covers**, **cover caps for the overflow** and **cover caps for turn handles** from page 102.

- Material: solid stainless steel
- Cartridge material: plastic, ceramic gaskets
- Swivel range: 120°
- Opening angle of lever: 25°
- Shower hose: integrated, retractable, length 1800 mm
- Flow volume comfort jet: 7.8 l/min
- Flexible connection hoses, length 600 mm
- Adjustable aerator
- Retraction of spray head by means of a retraction spring





# COMO WINDOW / COMO SHOWER WINDOW

€ excl. VAT

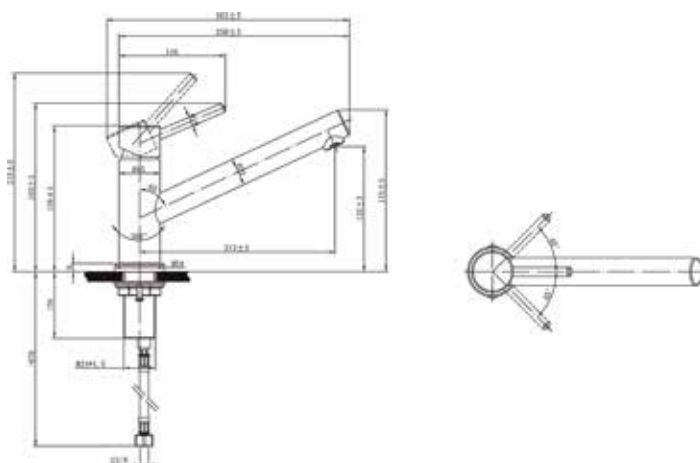
## Como Window



Article number	Description	Price
9257 00 LC	Stainless steel	454,-
9257 00 05	Anthracite	571,-

You can find matching **soap dispensers, cap valve covers, cover caps for the overflow and cover caps for turn handles** from page 102.

- Material: solid stainless steel
- Cartridge material: plastic, ceramic gaskets
- Swivel range: 360°
- Opening angle of lever: 25°
- Flow volume comfort jet: 14.8 l/min
- Flexible connection hoses, length 800 mm
- Height of base with extended tap fitting: 35 mm
- Space is required in or next to the sink to allow use of window feature
- Fitting can be pulled out flexibly and placed on worktop, thus enabling installation in front of windows



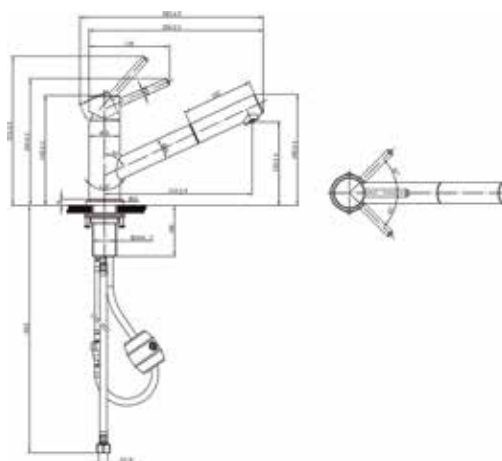
## Como Shower Window



Article number	Description	Price
9258 00 LC	Stainless steel	604,-
9258 00 05	Anthracite	754,-

You can find matching **soap dispensers, cap valve covers, cover caps for the overflow and cover caps for turn handles** from page 102.

- Material: solid stainless steel
- Cartridge material: plastic, ceramic gaskets
- Swivel range: 120°
- Opening angle of lever: 25°
- Shower hose: integrated, retractable, length 1500 mm
- Flow volume comfort jet: 8.6 l/min
- Flexible connection hoses, length 800 mm
- Height of base with extended tap fitting: 35 mm
- Retraction of spray head by means of hose weight
- Space is required in or next to the sink to allow use of window feature



# COMO SWITCH / COMO X

€ excl. VAT

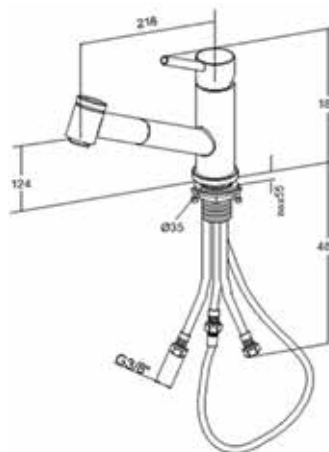
## Como Switch



Article number	Description	Price
9272 00 LC	Stainless steel	610,-
9272 00 LE	Stainless steel polished	610,-

You can find matching **soap dispensers**, **cap valve covers**, **cover caps for the overflow** and **cover caps for turn handles** from page 102.

- Material: solid stainless steel
- Cartridge material: plastic, ceramic gaskets
- Swivel range: 120°
- Opening angle of lever: 25°
- Shower hose: integrated, retractable, length 1800 mm
- Flow volume comfort jet: 7.8 l/min
- Flow volume spray jet: 5.0 l/min
- Flexible connection hoses, length 600 mm
- Hand-held spray with two spray modes
- Retraction of spray head by means of a retraction spring



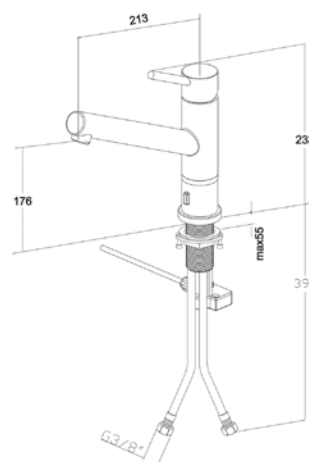
## Como X



Article number	Description	Price
9275 00 LC	Stainless steel	509,-

You can find matching **soap dispensers**, **cap valve covers**, **cover caps for the overflow** and **cover caps for turn handles** from page 102.

- Material: solid stainless steel
- Cartridge material: plastic, ceramic gaskets
- Swivel range: 360°
- Opening angle of lever: 25°
- Flow volume comfort jet: 12.1 l/min
- Flexible connection hoses, length 800 mm
- Kitchen tap equipped with an integrated pop-up turn knob
- Opening / closing the pop-up waste with the ring on the tap
- No tap hole on the sink required for the pop-up turn knob
- Please order a sink with a pop-up waste system
- Allow sufficient space between kitchen sink and connection box for pop-up waste
- **No tap hole required on the sink for eccentric operation**
- **Please order sink with drain set for eccentric operation**
- **Opening/closing the excenter via the ring on the fitting**



# FINERA / FINERA SQUARE

€ excl. VAT

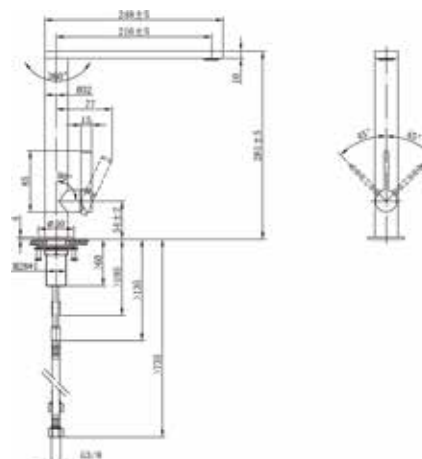
## Finera



Article number	Description	Price
9270 00 LC	Stainless steel	542,-
9270 00 03	Gold	644,-
9270 00 04	Bronze	644,-
9270 00 05	Anthracite	644,-

You can find matching **soap dispensers, cap valve covers, cover caps for the overflow and cover caps for turn handles** from page 102.

- Material: solid stainless steel
- Cartridge material: plastic, ceramic gaskets
- Swivel range: 360°
- Opening angle of lever: 25°
- Please note: tap must not be installed directly in front of a wall as the water temperature is regulated 45° to the rear and 45° towards the front of the sink
- Flow volume: 10.5 l/min
- Flexible connection hoses, length 600 mm
- Adjustable aerator



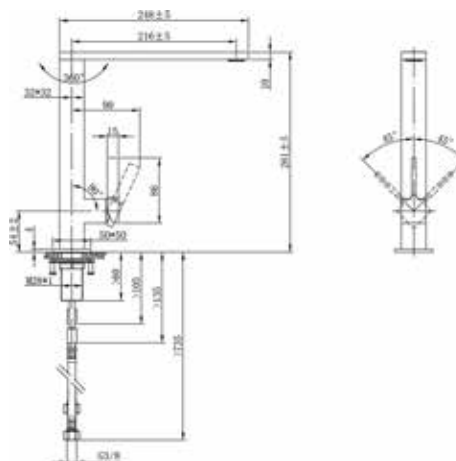
## Finera Square



Article number	Description	Price
9271 00 LC	Stainless steel	542,-

You can find matching **soap dispensers, cap valve covers, cover caps for the overflow and cover caps for turn handles** from page 102.

- Material: solid stainless steel
- Cartridge material: plastic, ceramic gaskets
- Swivel range: 360°
- Opening angle of lever: 25°
- Please note: tap must not be installed directly in front of a wall as the water temperature is regulated 45° to the rear and 45° towards the front of the sink
- Flow volume comfort jet: 10.5 l/min
- Flexible connection hoses, length 600 mm
- Adjustable aerator



# JUNIS SHOWER / JUNIS SKY SHOWER

€ excl. VAT

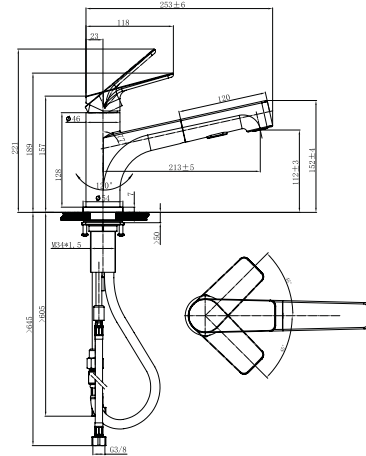
## Junis Shower



Article number	Description	Price
9281 00 LC	Stainless steel	566,-

You can find matching **soap dispensers**, **cap valve covers**, **cover caps for the overflow** and **cover caps for turn handles** from page 102.

- Material: solid stainless steel
- Cartridge material: plastic, ceramic gaskets
- Swivel range: 120°
- Opening angle of lever: 25°
- Flow volume laminar jet: 7.9 l/min
- Flow volume spray jet: 6.6 l/min
- Flexible connection hoses, length 600 mm
- Hand-held spray hose with flexible joint
- Pull-out, hand-held spray
- Retraction of spray head by means of a retraction spring



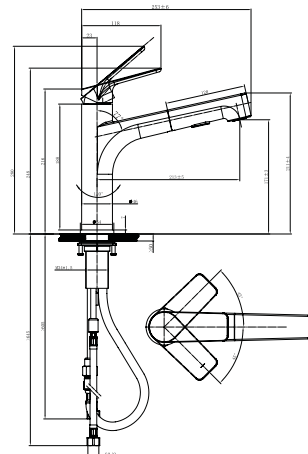
## Junis Sky Shower



Article number	Description	Price
9282 00 LC	Stainless steel	636,-

You can find matching **soap dispensers**, **cap valve covers**, **cover caps for the overflow** and **cover caps for turn handles** from page 102.

- Material: solid stainless steel
- Cartridge material: plastic, ceramic gaskets
- Swivel range: 120°
- Opening angle of lever: 25°
- Flow volume laminar jet: 7.9 l/min
- Flow volume spray jet: 6.6 l/min
- Flexible connection hoses, length 600 mm
- Hand-held spray hose with flexible joint
- Pull-out, hand-held spray
- Retraction of spray head by means of a retraction spring



# MODERN STEEL

€ excl. VAT

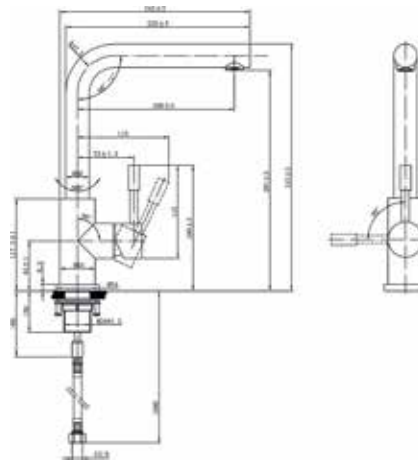
## Modern Steel



Article number	Description	Price
9668 01 LC	Stainless steel	630,-
9668 01 LE	Stainless steel polished	630,-
9668 01 O5	Anthracite	727,-

You can find matching soap dispensers, cap valve covers, cover caps for the overflow and cover caps for turn handles from page 102.

- Material: solid stainless steel
- Cartridge material: plastic, ceramic gaskets
- Swivel range: 360°
- Opening angle of lever: 25°
- Tap can be installed directly in front of a wall as the water temperature is regulated within a 90° range towards the sink
- Flow volume comfort jet: 11.5 l/min
- Flexible connection hoses, length 600 mm



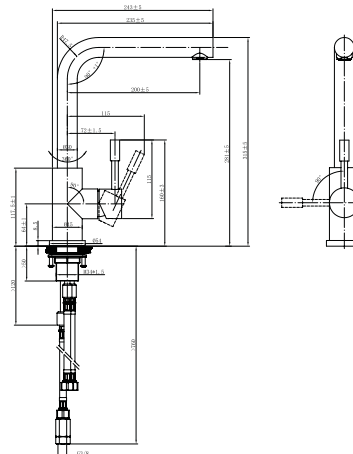
## Modern Steel low pressure



Article number	Description	Price
9668 11 LC	Stainless steel	752,-

You can find matching soap dispensers, cap valve covers, cover caps for the overflow and cover caps for turn handles from page 102.

- Material: solid stainless steel
- Cartridge material: plastic, ceramic gaskets
- Swivel range: 360°
- Opening angle of lever: 25°
- Tap can be installed directly in front of a wall as the water temperature is regulated within a 90° range towards the sink
- Flow volume comfort jet: 11.9 l/min
- Flexible connection hoses, length 600 mm



# SORANO / SORANO SHOWER

€ excl. VAT

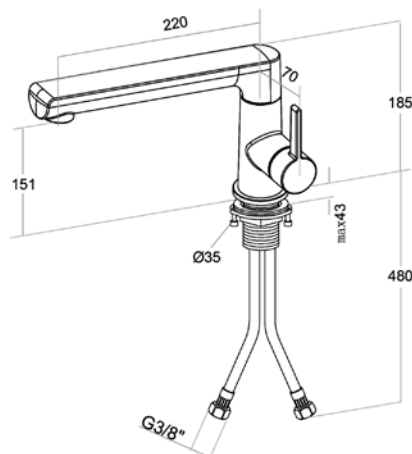
## Sorano



Article number	Description	Price
9266 00 LC	Stainless steel	393,-

You can find matching **soap dispensers, cap valve covers, cover caps for the overflow and cover caps for turn handles** from page 102.

- Material: solid stainless steel
- Cartridge material: plastic, ceramic gaskets
- Swivel range: 360°
- Opening angle of lever: 25°
- Please note: tap must not be installed directly in front of a wall as the water temperature is regulated 45° to the rear and 45° towards the front of the sink
- Flow volume comfort jet: 13.3 l/min
- Flexible connection hoses, length 600 mm
- Adjustable aerator



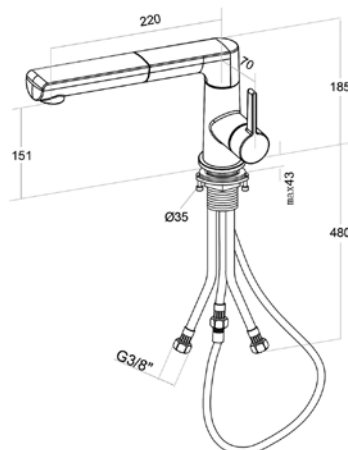
## Sorano Shower



Article number	Description	Price
9268 00 LC	Stainless steel	517,-

You can find matching **soap dispensers, cap valve covers, cover caps for the overflow and cover caps for turn handles** from page 102.

- Material: solid stainless steel
- Cartridge material: plastic, ceramic gaskets
- Swivel range: 360°
- Opening angle of lever: 25°
- Please note: tap must not be installed directly in front of a wall as the water temperature is regulated 45° to the rear and 45° towards the front of the sink
- Flow volume comfort jet: 13.3 l/min
- Shower hose: integrated, retractable, length 1800 mm
- Flexible connection hoses, length 600 mm
- Adjustable aerator
- Retraction of spray head by means of a retraction spring



# SORANO SKY / SORANO SKY SHOWER

€ excl. VAT

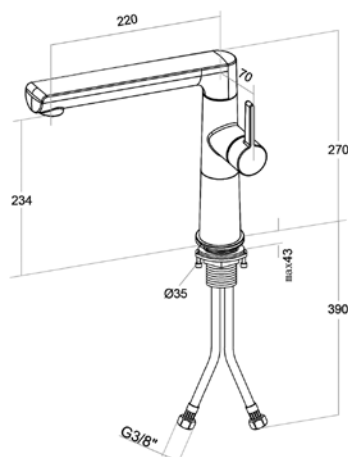
## Sorano Sky



Article number	Description	Price
9267 00 LC	Stainless steel	497,-

You can find matching soap dispensers, cap valve covers, cover caps for the overflow and cover caps for turn handles from page 102.

- Material: solid stainless steel
- Cartridge material: plastic, ceramic gaskets
- Swivel range: 360°
- Opening angle of lever: 25°
- Please note: tap must not be installed directly in front of a wall as the water temperature is regulated 45° to the rear and 45° towards the front of the sink
- Flow volume comfort jet: 13.3 l/min
- Flexible connection hoses, length 600 mm
- Adjustable aerator



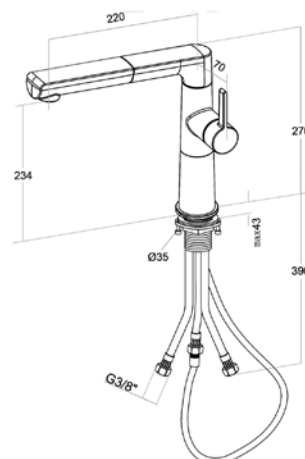
## Sorano Sky Shower



Article number	Description	Price
9269 00 LC	Stainless steel	612,-

You can find matching soap dispensers, cap valve covers, cover caps for the overflow and cover caps for turn handles from page 102.

- Material: solid stainless steel
- Cartridge material: plastic, ceramic gaskets
- Swivel range: 360°
- Opening angle of lever: 25°
- Please note: tap must not be installed directly in front of a wall as the water temperature is regulated 45° to the rear and 45° towards the front of the sink
- Shower hose: integrated, retractable, length 1800 mm
- Flow volume comfort jet: 13.3 l/min
- Flexible connection hoses, length 600 mm
- Adjustable aerator
- Retraction of spray head by means of a retraction spring



# STEEL EXPERT 2.0 / STEEL EXPERT COMPACT

€ excl. VAT

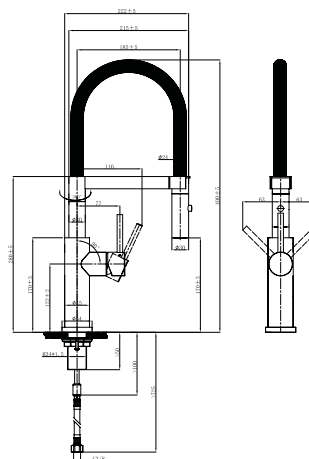
## Steel Expert 2.0



Article number	Description	Price
9280 00 LC	Stainless steel	749,-
9280 00 05	Anthracite	964,-

You can find matching soap dispensers, cap valve covers, cover caps for the overflow and cover caps for turn handles from page 102.

- Material: solid stainless steel
- Cartridge material: plastic, ceramic gaskets
- Swivel range: 360°
- Opening angle of lever: 25°
- Please note: tap must not be installed directly in front of a wall as the water temperature is regulated 45° to the rear and 45° towards the front of the sink
- Flow volume laminar jet: 5.4 l/min
- Flow volume spray jet: 4.8 l/min
- Flexible connection hoses, length 600 mm
- Flexible hand spray



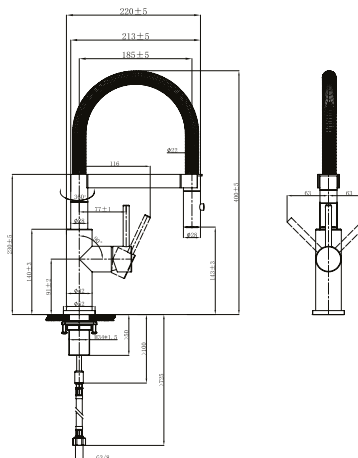
## Steel Expert Compact



Article number	Description	Price
9273 00 LC	Stainless steel	712,-
9273 00 05	Anthracite	924,-

You can find matching soap dispensers, cap valve covers, cover caps for the overflow and cover caps for turn handles from page 102.

- Material: solid stainless steel
- Cartridge material: plastic, ceramic gaskets
- Swivel range: 360°
- Opening angle of lever: 25°
- Please note: tap must not be installed directly in front of a wall as the water temperature is regulated 45° to the rear and 45° towards the front of the sink
- Flow volume laminar jet: 5.4 l/min
- Flow volume spray jet: 4.8 l/min
- Flexible connection hoses, length 600 mm
- Flexible hand spray
- Hand-held spray with two spray modes





# STEEL SHOWER

€ excl. VAT

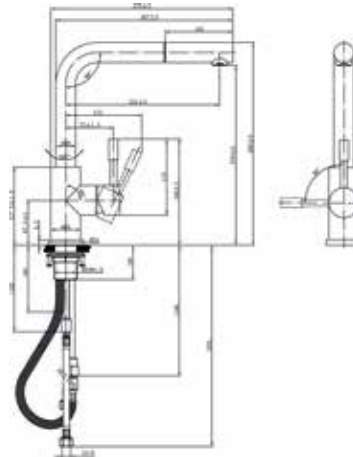
## Steel Shower



Article number	Description	Price
9697 01 LC	Stainless steel	679,-
9697 01 05	Anthracite	786,-

You can find matching **soap dispensers, cap valve covers, cover caps for the overflow and cover caps for turn handles** from page 102.

- Material: solid stainless steel
- Cartridge material: plastic, ceramic gaskets
- Swivel range: 360°
- Opening angle of lever: 25°
- Tap can be installed directly in front of a wall as the water temperature is regulated within a 90° range towards the sink
- Shower hose: integrated, retractable, length 1800 mm
- Flow volume comfort jet: 11.7 l/min
- Flexible connection hoses, length 600 mm
- Retraction of spray head by means of a retraction spring



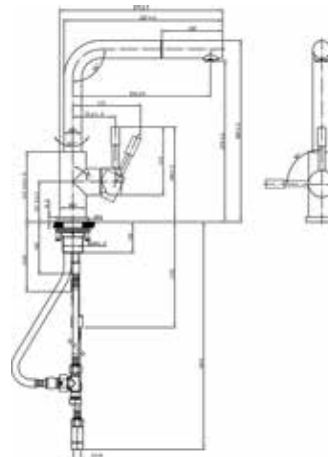
## Steel Shower low pressure



Article number	Description	Price
9697 11 LC	Stainless steel	818,-

You can find matching **soap dispensers, cap valve covers, cover caps for the overflow and cover caps for turn handles** from page 102.

- Material: solid stainless steel
- Cartridge material: plastic, ceramic gaskets
- Swivel range: 360°
- Opening angle of lever: 25°
- Tap can be installed directly in front of a wall as the water temperature is regulated within a 90° range towards the sink
- Shower hose: integrated, retractable, length 1800 mm
- Flow volume comfort jet: 7.9 l/min
- Flexible connection hoses, length 600 mm
- Retraction of spray head by means of a retraction spring



# SUBWAY STYLE SHOWER

NEW

€ excl. VAT

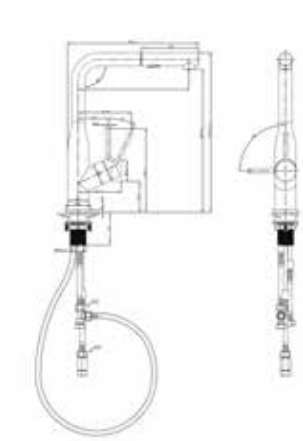
## Subway Style Shower



Article number	Description	Price
9285 00 LC	Stainless steel	701,-
9285 00 05	Anthracite	913,-

You can find matching **soap dispensers**, **cap valve covers**, **cover caps for the overflow** and **cover caps for turn handles** from page 102.

- Material: solid stainless steel
- Cartridge material: plastic, ceramic gaskets
- Swivel range: 360°
- Opening angle of lever: 25°
- Flow volume laminar jet: 6.94 l/min
- Flow volume spray jet: 6.46 l/min
- Flexible connection hoses, length 600 mm
- Hand-held spray hose with flexible joint
- Pull-out, hand-held spray
- Retraction of spray head by means of a retraction spring



# UMBRELLA

€ excl. VAT

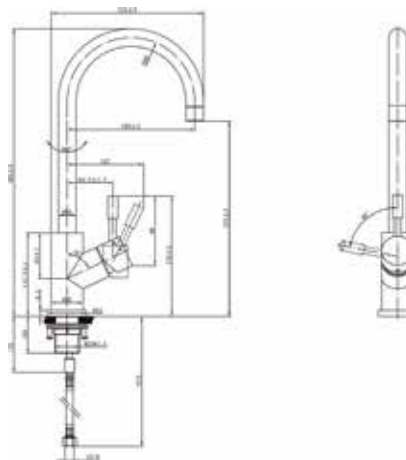
## Umbrella



Article number	Description	Price
9253 00 LC	Stainless steel	517,-
9253 00 LE	Stainless steel polished	517,-
9253 00 03	Gold	613,-
9253 00 04	Bronze	613,-
9253 00 05	Anthracite	613,-

You can find matching **soap dispensers, cap valve covers, cover caps for the overflow and cover caps for turn handles** from page 102.

- Material: solid stainless steel
- Cartridge material: plastic, ceramic gaskets
- Swivel range: 360°
- Opening angle of lever: 25°
- Tap can be installed directly in front of a wall as the water temperature is regulated within a 90° range towards the sink
- Flow volume comfort jet: 16.0 l/min
- Flexible connection hoses, length 600 mm



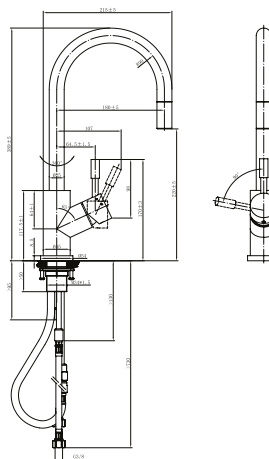
## Umbrella Flex



Article number	Description	Price
9254 00 LC	Stainless steel	626,-
9254 00 LE	Stainless steel polished	626,-
9254 00 03	Gold	745,-
9254 00 04	Bronze	745,-
9254 00 05	Anthracite	745,-

You can find matching **soap dispensers, cap valve covers, cover caps for the overflow and cover caps for turn handles** from page 102.

- Material: solid stainless steel
- Cartridge material: plastic, ceramic gaskets
- Swivel range: 360°
- Opening angle of lever: 25°
- Tap can be installed directly in front of a wall as the water temperature is regulated within a 90° range towards the sink
- Shower hose: integrated, retractable, length 1800 mm
- Flow volume comfort jet: 11.5 l/min
- Flexible connection hoses, length 600 mm



# SOAP DISPENSER

€ excl. VAT

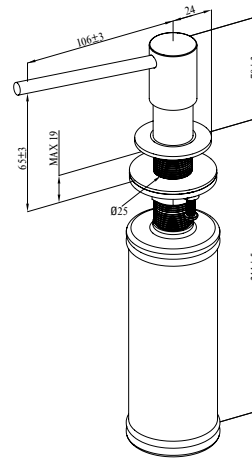
## Soap dispenser



Article number	Description	Price
9236 20 LC	Stainless steel	189,-
9236 20 LE	Stainless steel polished	189,-
9236 20 03	Gold	221,-
9236 20 04	Bronze	221,-
9236 20 05	Anthracite	221,-

You can find matching soap dispensers, cap valve covers, cover caps for the overflow and cover caps for turn handles from page 102.

- Material: stainless steel (head), plastic (holder)
- Filling quantity: 250 ml
- Container, soap dispenser: Diameter 55 mm



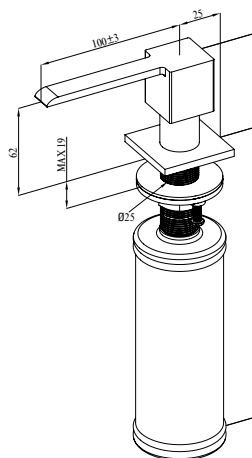
## Soap dispenser



Article number	Description	Price
9236 30 LC	Stainless steel	202,-

You can find matching soap dispensers, cap valve covers, cover caps for the overflow and cover caps for turn handles from page 102.

- Material: stainless steel (head), plastic (holder)
- Filling quantity: 250 ml
- Container, soap dispenser: Diameter 55 mm



# HIGH QUALITY ACCESSORIES FROM VILLEROY & BOCH

In hardly any other room of the house are materials subjected to the stresses found in the kitchen. That's why Villeroy & Boch has extremely strict standards for the quality of the materials it uses. Work's more fun with the right equipment: So customise your sink to suit your requirements by adding accessories such as wire baskets or strainers, hanging bowls or chopping boards. This makes it possible to better coordinate each step of the process.



Stainless steel **hanging bowl** and walnut (real-wood veneer with compact core) **cutting board** complement each other to perfection for even greater comfort when preparing food.



**Roll-up rack** made of stainless steel – convenient for draining dishes.



**Cap waste cover** made of stainless steel  
Attractive cap waste cover, can be used in any Villeroy & Boch sink, dishwasher-safe.



**Inset strainer** made of stainless steel  
Practical when preparing and cooking food.



**Wire basket** made of stainless steel  
Practical protection when doing the dishes.



**Universal cutting board**  
Stays in place for comfortable working at the sink, draining board or worktop.



**Variety of pop-up wastes** suitable for your taps  
Available in a matt or high-gloss finish as well as in the new metallic colours.

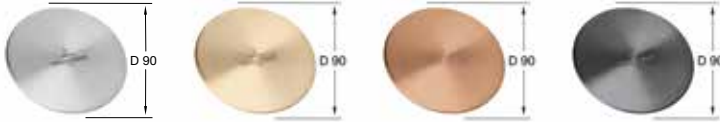


**Selection of stainless steel soap dispensers**  
Elegant solution for soap or washing-up liquid.

# ACCESSORIES

€ excl. VAT

## Cap (outlet cover)



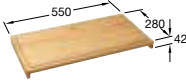
Article number	Description	Price
9624 15 LC	Stainless steel, universally applicable	43,-
9624 15 03	Gold, universally applicable	54,-
9624 15 04	Bronze, universally applicable	54,-
9624 15 05	Anthracite, universally applicable	54,-

## Roll-up rack



Article number	Description	Price
9K08 00 K1	Stainless steel, universally applicable	132,-

## Universal cutting board, beechwood



Article number	Description	Price
8K00 10 00	For sinks: 3304, 3305, 3307, 3309, 3312, 3313, 3315, 3350, 3360, 3365, 6712, 6714, 6718, 6719, 6726, 6745, 6759, 6770, 6772, 6780, 6781, 6790	141,-

## Universal cutting board, walnut



Article number	Description	Price
8K36 10 00	For sinks: 3304, 3305, 3306, 3307, 3309, 3312, 3313, 3315, 3350, 3360, 3365, 6712, 6714, 6718, 6719, 6726, 6745, 6759, 6770, 6772, 6780, 6781, 6790, 3336, 3335, 3334, 3380, 3337	200,-

## Walnut cutting board with compact core



Article number	Description	Price
8K33 10 00	For sinks: 3309, 3312, 3313, 3315, 6712, 6714, 6718, 6719, 6770, 6772, 6780, 6781	174,-

## Steamer tray 1/3



Article number	Description	Price
8299 06 K1	Stainless steel, for sinks: 3336, 3335, 3334, 3315, 6758, 3365, 3337	56,-

# ACCESSORIES

€ excl. VAT

## Steamer tray 2/3



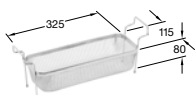
Article number	Description	Price
8299 05 K1	Stainless steel, for sinks:3336, 3315, 6758	77,-

## Strainer bowl



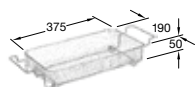
Article number	Description	Price
8K37 00 K1	Stainless steel, for sinks:3309, 3312, 3313, 3315, 6712, 6714, 6718, 6719, 6770, 6772, 6780, 6781	140,-

## Inset strainer



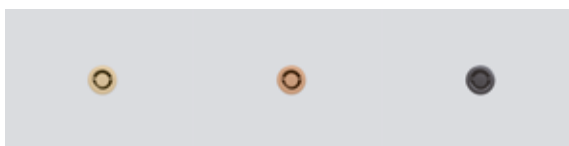
Article number	Description	Price
9K04 00 K1	Stainless steel, for sinks:3309, 3312, 3313, 3315, 6712, 6714, 6718, 6719, 6770, 6772, 6780, 6781	75,-

## Inset strainer



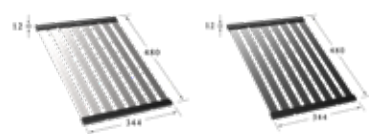
Article number	Description	Price
8345 47 K1	Stainless steel, for sinks:3350, 3360, 3365, 6726, 6745, 6759, 3380	146,-

## Cover cap for overflow



Article number	Description	Price
8299 10 03	Gold	21,-
8299 10 04	Bronze	21,-
8299 10 05	Anthracite	21,-

## Folding draining rack

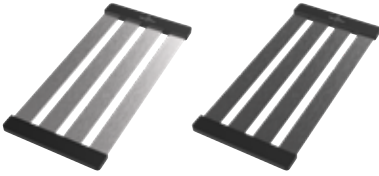


Article number	Description	Price
9K13 00 71	Aluminum Brushed, universally applicable	150,-
9K13 00 05	Anthracite, universally applicable	150,-

# ACCESSORIES

€ excl. VAT

## Draining rack



Article number	Description	Price
9K14 00 71	Aluminum brushed, dimensions (L x W x H) in mm: 364 x 168 x 12	101,-
9K14 00 05	Anthracite, dimensions (L x W x H) in mm: 364 x 168 x 12	101,-

## Walnut cutting board with compact core



Article number	Description	Price
8K42 10 00	Oak, dimensions (L x W x H) in mm: 364 x 128 x 20	96,-

## Strainer bowl



Article number	Description	Price
8K38 00 K1	Stainless steel, dimensions (L x W x H) in mm: 364 x 128 x 100	150,-

## Cover cap for turn lever



Article number	Description	Price
9405 26 L7	Matt	46,-
9405 26 61	Chrome	46,-
9405 26 03	Gold	126,-
9405 26 04	Bronze	126,-
9405 26 05	Anthracite	126,-

## Cover cap for turn lever



Article number	Description	Price
9405 36 L7	Matt	46,-
9405 36 61	Chrome	46,-



# ACCESSORIES

€ excl. VAT

## Cover cap for double turn lever



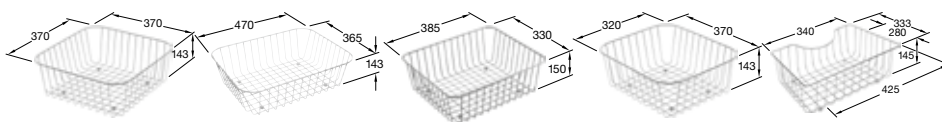
Article number	Description	Price
9405 25 L7	Matt	46,-
9405 25 61	Chrome	46,-
9405 25 03	Gold	126,-
9405 25 04	Bronze	126,-
9405 25 05	Anthracite	126,-

## Cover cap for double turn lever



Article number	Description	Price
9405 35 L7	Matt	46,-
9405 35 61	Chrome	46,-

## Salad basket



Article number	Description	Price
8349 00 K1	Stainless steel, for Arena Eck 6729	163,-
8397 00 K1	Stainless steel, for Cisterna 60C 6706, Subway 60 SU 3310	163,-
8341 00 K1	Stainless steel, for Spülstein Doppelbecken 6323	163,-
9841 00 K1	Stainless steel, for Cisterna 60B 6702, Subway 50 S 3315, Subway 50 S flat 3315, Subway 60 XU 6758, Architectura 50 3350	163,-
8K09 00 K1	Stainless steel, for Solo Eck 6708	163,-
9849 00 K1	Stainless steel, for Cisterna 50 6703, Subway 50 SU 3325	163,-
9850 00 K1	Stainless steel, for Cisterna 45 6704, Condor 50 6732, Subway 45 SU 3324	163,-
9K09 00 K1	Stainless steel, for Timeline 50 3307, Timeline 50 flat 3307	163,-
8K12 00 K1	Stainless steel, for Timeline 60 6790, Timeline 60 flat 6790, Architectura 60 3360	163,-
8331 00 K1	Stainless steel, for Architectura 60XR 3365, Condor 45 6745	163,-
8395 00 K1	Stainless steel, for Condor 60 6759	163,-
8K04 00 K1	Stainless steel, for Subway 60 6712/6772, Subway 60 flat 6712/6772, Subway 60 XM 6780, Subway 60 XM flat 6780	163,-
8K06 00 K1	Stainless steel, for Subway 45 6714/6772, Subway 45 flat 6714/6772, Subway 45 XS 6781, Subway 45 XS flat 6781, Subway 45 Compact 3313/3312	163,-
8K07 00 K1	Stainless steel, for Subway 80 6726	163,-
8K31 00 K1	Stainless steel, for Subway 60 XL 6719/6718, Subway 60 XL flat 6719/6718, Subway 60 S 3309, Subway 60 S flat 3309	163,-
9K10 00 K1	Stainless steel, for Siluet 60 3336, Siluet 60 flat 3336	249,-
9K11 00 K1	Stainless steel, for Siluet 50 3335, Siluet 50 flat 3335, Siluet 60 3337, Siluet 60 R flat 3337	236,-
9K12 00 K1	Stainless steel, for Siluet 45 3334, Siluet 45 flat 3334	223,-

## Installation kit

Article number	Description	Price
9220 58 00	For flush-mounted sinks	24,-

## ACCESSORIES

€ excl. VAT

## Lever



Article number	Description	Price
9240 80 LC	Stainless steel, for Avia 2.0	93,-
9240 80 03	Gold, for Avia 2.0	93,-
9240 80 04	Bronze, for Avia 2.0	93,-
9240 80 05	Anthracite, for Avia 2.0	93,-

## Lever



Article number	Description	Price
9251 80 LC	Stainless steel, for Como / Como low pressure / Como Shower / Como Shower low pressure / Como Window / Como Shower Window / Como Switch / Como X	93,-
9251 80 LE	Stainless steel polished, for Como / Como low pressure / Como Shower / Como Shower low pressure / Como Window / Como Shower Window / Como Switch / Como X	93,-
9251 80 05	Anthracite, for Como / Como low pressure / Como Shower / Como Shower low pressure / Como Window / Como Shower	97,-

## Lever



Article number	Description	Price
9278 80 LC	Stainless steel, for Como Sky / Como Sky Shower	93,-
9278 80 LE	Stainless steel polished, for Como Sky / Como Sky Shower	93,-

## Lever



Article number	Description	Price
9270 80 LC	Stainless steel massive, for Finera / Finera Slope	88,-
9270 80 03	Stainless steel massive, for Finera / Finera Slope	93,-
9270 80 04	Stainless steel massive, for Finera / Finera Slope	93,-
9270 80 05	Stainless steel massive, for Finera / Finera Slope	93,-

## Lever



Article number	Description	Price
9271 80 LC	Stainless steel, for Finera Square / Finera Slope Square	88,-

## Lever



Article number	Description	Price
9281 80 LC	Stainless steel, for Junis Shower / Junis Sky Shower	97,-

## Lever



Article number	Description	Price
9266 80 LC	Stainless steel, for Sorano / Sorano Shower / Sorano Sky / Sorano Sky Shower	91,-

## Lever



Article number	Description	Price
9280 80 LC	Stainless steel, for Steel Expert 2.0	108,-
9280 80 05	Anthracite, for Steel Expert 2.0	108,-

## Lever



Article number	Description	Price
9273 80 LC	Stainless steel, for Steel Expert Compact	93,-
9273 80 05	Anthracite, for Steel Expert Compact	93,-

## Lever



Article number	Description	Price
9668 80 LC	Stainless steel, for Steel Shower / Modern Steel	88,-
9668 80 LE	Stainless steel polished, for Steel Shower / Modern Steel	88,-
9668 80 05	Anthracite, for Steel Shower / Modern Steel	93,-

## Lever



Article number	Description	Price
9285 80 LC	Stainless steel, for Subway Style Shower	87,-
9285 80 05	Anthracite, for Subway Style Shower	91,-

# ACCESSORIES

€ excl. VAT

## Lever



Article number	Description	Price
9253 80 LC	Stainless steel, for Umbrella / Umbrella Flex	88,-
9253 80 LE	Stainless steel polished, for Umbrella / Umbrella Flex	88,-
9253 80 03	Gold, for Umbrella / Umbrella Flex	93,-
9253 80 04	Bronze, for Umbrella / Umbrella Flex	93,-
9253 80 05	Anthracite, for Umbrella / Umbrella Flex	93,-

## Hand shower



Article number	Description	Price
9252 05 LC	Stainless steel, for Como Shower / Como Shower Window	121,-
9252 05 LE	Stainless steel polished, for Como Shower / Como Shower Window	121,-
9252 05 05	Anthracite, for Como Shower / Como Shower Window	134,-

## Hand shower



Article number	Description	Price
9279 05 LC	Stainless steel, for Como Sky Shower	121,-
9279 05 LE	Stainless steel polished, for Como Sky Shower	121,-

## Hand shower



Article number	Description	Price
9252 15 LC	Stainless steel, for Como Shower low pressure	121,-
9252 15 LE	Stainless steel polished, for Como Shower low pressure	121,-
9252 15 05	Anthracite, for Como Shower low pressure	134,-

## Hand shower



Article number	Description	Price
9268 05 LC	Stainless steel, for Sorano Shower / Sorano Sky Shower	121,-

## Hand shower



Article number	Description	Price
9697 05 LC	Stainless steel, for Steel Shower	108,-
9697 05 05	Anthracite, for Steel Shower	121,-

## Hand shower



Article number	Description	Price
9697 15 LC	Stainless steel, for Steel Shower Low pressure	108,-

## Hand shower



Article number	Description	Price
9253 05 LC	Stainless steel, for Umbrella Flex	88,-
9253 05 LE	Stainless steel polished, for Umbrella Flex	88,-
9253 05 03	Gold, for Umbrella Flex	121,-
9253 05 04	Bronze, for Umbrella Flex	121,-
9253 05 05	Anthracite, for Umbrella Flex	121,-

## Hand shower



Article number	Description	Price
9281 05 LC	Stainless steel, for Junis Shower / Junis Sky Shower	153,-

## Hand shower



Article number	Description	Price
9272 05 LC	Stainless steel, for Como Switch	153,-
9272 05 LE	Stainless steel polished, for Como Switch	153,-

## Hand shower



Article number	Description	Price
9280 05 LC	Stainless steel, for Steel Expert 2.0	121,-
9280 05 05	Anthracite, for Steel Expert 2.0	121,-

## ACCESSORIES

€ excl. VAT

## Hand shower



Article number	Description	Price
9285 05 LC	Stainless steel, for Subway Style Shower	150,-
9285 05 05	Anthracite, for Subway Style Shower	150,-

## Hand shower



Article number	Description	Price
9273 05 LC	Stainless steel, for Steel Expert Compact	121,-
9273 05 05	Anthracite, for Steel Expert Compact	121,-

## Control box

Article number	Description	Price
8299 03 00	For Como X	53,-

## Control box

Article number	Description	Price
9236 25 00	For soap dispenser 9236 20 und 9236 30	59,-



# CARE INSTRUCTIONS

## Care instructions



Easy-care beyond compare

You have chosen a quality product from Villeroy & Boch – the perfect solution for kitchens with character. Ceramic is a natural material that harmonises with all materials in the kitchen. The numerous advantages of ceramics that arise from the interplay between carefully selected raw materials and state-of-the-art production technology will already be familiar to you from other areas, such as tableware, tiles and bathroom ceramics. Villeroy & Boch has managed to further improve the outstanding properties of this material: CeramicPlus, the ceramic material with the unique easy-care surface that simply stays cleaner. It is so smooth that there are hardly any places where water and dirt can cling, so they drain away immediately. Even most stubborn stains, such as from tea, beetroot or red wine, and lime scale can be easily removed. It's a real help in the kitchen, because it means less work and less cleaning agents are required. And it's not a miracle but the result of our 270 years of experience with ceramics. Various tests simulating long-term use have demonstrated CeramicPlus's lasting resistance to soiling (when the care instructions are duly observed). The high quality and outstanding properties of CeramicPlus have also been confirmed in tests carried out by the independent IST Fraunhofer Institut in Braunschweig. In addition, the material properties are also systematically tested and monitored in the Villeroy & Boch laboratory. With the purchase of this product made from CeramicPlus – as with all products from Villeroy & Boch – you are getting an item of impeccable quality.

**We hope that your easy-care ceramics will give you a lot of pleasure.**

## Cleaning and care of your kitchen ceramics

With its innovative new surface, CeramicPlus sets new standards in hygiene and ease of care. Now, scrubbing, scouring and scratching are a thing of the past. All it takes is a regular wipe with a soft, damp cloth and a mild cleaning agent. To ensure that the easy-care properties of your kitchen ceramics last as long as possible while allowing you to fully benefit from the many advantages offered by CeramicPlus, please observe the following care instructions.

## Regular care of your kitchen ceramics

For regular care of your kitchen ceramics, we recommend always using a soft, non-abrasive sponge or cloth. It is best – particularly where limescale is an issue – to use a standard washing-up liquid or a vinegar-based cleaning agent (e.g. Frosch Vinegar cleaner from Erdal Rex).

## Dealing with heavier soiling

Below you will find a few examples of cleaning agents that, when used in accordance with the manufacturers' recommendations, will help preserve the quality of your kitchen ceramics over the long term. Because kitchen ceramics are harder than metal, metallic items can occasionally leave marks on ceramic surfaces. Marks of this kind should only be removed using one of the mild cleaning agents listed in the table.

Applications (according to manufacturer's recommendations)	Examples
Regular cleaning and care	All-purpose cleaners, e.g.: Viss kitchen cleaner (Lever), Der General Professional (Henkel) Vinegar-based cleaners, e.g.: Frosch Vinegar cleaner (Erdal Rex), all commercial washing-up liquids
Anorganic dirt (e.g. limescale)	Lime solvents, e.g.: Sidol anti-limescale (Henkel), Viakal (Procter & Gamble) Vinegar-based cleaners, e.g.: Frosch Vinegar cleaner (Erdal Rex)
Grease	Grease remover, e.g.: Sidol kitchen cleaner (Henkel) Vinegar-based cleaners, e.g.: Frosch Vinegar cleaner (Erdal Rex)

Your attention is particularly drawn to the fact that aggressive cleaning agents (see below) can scratch ceramic surfaces and can harm or (if used regularly) even destroy the special properties of CeramicPlus.

- Scouring creams or powders
- Concentrated drain cleaners
- Tap and steel cleaners

For this reason we recommend avoiding the use of these cleaning agents completely. If on occasion it should be necessary to use drain cleaning chemicals or metal cleansers, direct contact with the kitchen ceramics should be avoided.

**Thanks to the exceptional easy-care properties of CeramicPlus, you will achieve fresh cleanliness and optimum hygiene without the need for aggressive cleaning agents.**

\* The care instructions can also be ordered for customers under article number 9211 J6 A1.

# INSTRUCTIONS FOR SURFACE-MOUNTED INSTALLATION

Sinks	Ref.	Countertop cutout
ARCHITECTURA 80	3380	113,0 x 48,0 cm
ARCHITECTURA 60	3360	97,0 x 48,0 cm
ARCHITECTURA 60 XR	3365	97,0 x 48,0 cm
ARCHITECTURA 50	3350	83,0 x 48,0 cm
ARCHITECTURA 45	3340	77,0 x 48,0 cm
ARENA Corner	6729	see attached template (Ref. 9307 22 A0)
CONDOR 60	6759	97,0 x 47,0 cm
CONDOR 45	6745	76,0 x 47,0 cm
FLAVIA 60	3304	98,0 x 48,0 cm
FLAVIA 50	3305	87,0 x 48,0 cm
SILUET 60	3336	97,0 x 48,0 cm
SILUET 60 R	3337	97,0 x 48,0 cm
SILUET 60 S	3346	57,0 x 48,0 cm
SILUET 50	3335	87,0 x 48,0 cm
SILUET 50 S	3345	48,0 x 48,0 cm
SILUET 45	3334	77,0 x 48,0 cm
SOLO Corner	6708	see attached template (Ref. 9307 B3 A5)
SUBWAY 80	6726	113,0 x 48,0 cm
SUBWAY 60	6712/6770	97,0 x 48,0 cm
SUBWAY 60 XL	6719/6718	97,0 x 48,0 cm
SUBWAY 60 XM	6780	59,0 x 48,0 cm
SUBWAY 60 S	3309	57,0 x 48,0 cm
SUBWAY STYLE 60	3361/3362	97,0 x 48,0 cm
SUBWAY STYLE 60 S	3366/336A	57,0 x 48,0 cm
SUBWAY 50 S	3315	49,5 x 48,0 cm
SUBWAY STYLE 50	3351/3352	87,0 x 48,0 cm
SUBWAY 45	6714/6772	74,0 x 48,0 cm
SUBWAY 45 Compact	3313/3312	62,0 x 48,0 cm
SUBWAY 45 XS	6781	44,5 x 48,0 cm
TIMELINE 60	6790	97,0 x 48,0 cm
TIMELINE 50	3307	87,0 x 48,0 cm

## Knocking out the tap holes

### PLEASE NOTE

Examine the sink for damage BEFORE INSTALLATION.

Only install a sink that is in perfect condition.

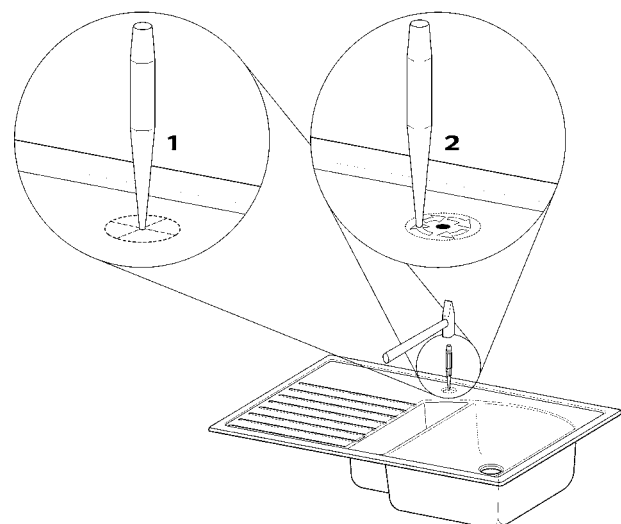
**IMPORTANT!** Always wear protective goggles and suitable protective clothing when knocking out the tap hole!

BEFORE INSTALLATION knock out the taps holes required as follows:

- Carefully transfer the centre of the tap hole required from the lower side of the sink onto the glazed upper side and mark.  
Only ever knock a tap hole through from the GLAZED UPPER SIDE OF THE SINK, NEVER FROM THE LOWER SIDE!

- Use suitable tools (e.g. hammer and centre punch) to knock the pre-punched tap hole out from above.

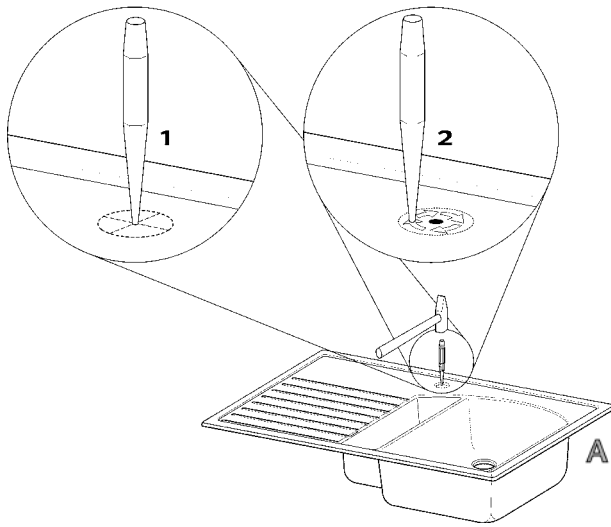
Position the punch initially in the centre of the tap hole. Then widen to the diameter required. Please be very careful not to damage the glaze around the tap hole.



# INSTRUCTIONS FOR SURFACE-MOUNTED INSTALLATION

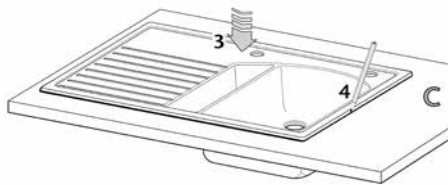
## Installation of surface-mounted sinks with the option of dismantling without causing any damage

**A** Carefully pierce the required tap holes from the glazed side (!) using a hammer and, if necessary, a punch.

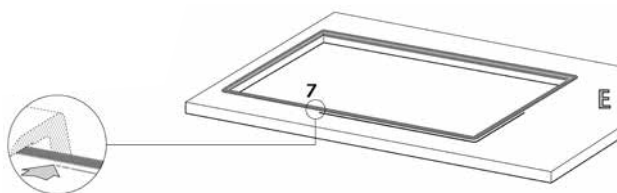


**C** Insert and align sink.

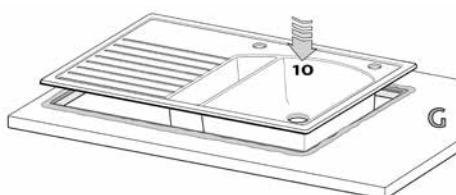
Draw around the outer contour of the sink on the worktop.



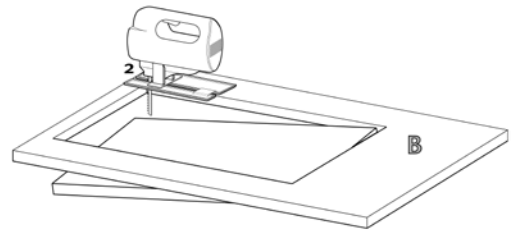
**E** Remove the outline of the sink drawn onto the worktop, clean the edge of the sink.



**G** Insert and align sink.

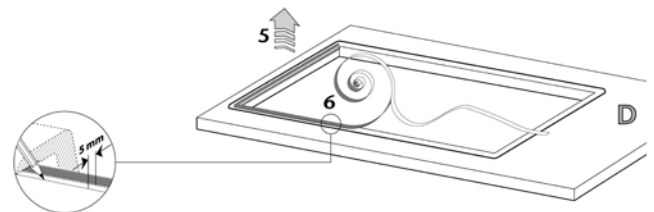


**B** Cut hole in worktop as required or using the template supplied. Clean the cut-out edge and remove any shavings.



**D** Remove sink.

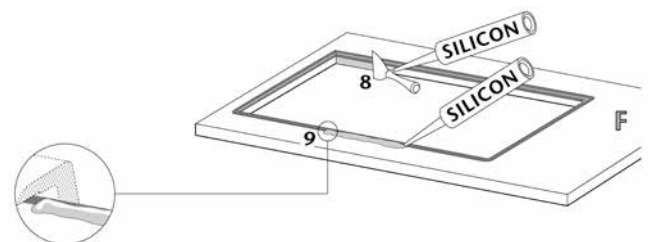
Fix EPDM foam tape all around the outer contour of the sink, 5 mm from the cutting edge. Only fix the foam tape to the work surface, not to the sanded rim of the sink!!



**F** Seal cleaned cut-out edge with silicon, fill

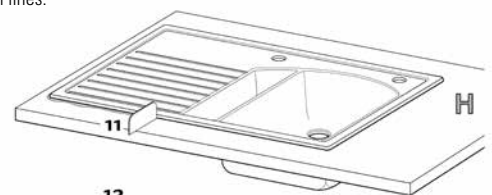
Apply a layer of silicon (approx. 10 mm thick) to the worktop area that is to support the sink and (!) to the EPDM foam tape\*

\*Please note the product information and the instructions for use on the packaging.



**H** Remove any excess silicon.

Connect supply and drain lines.



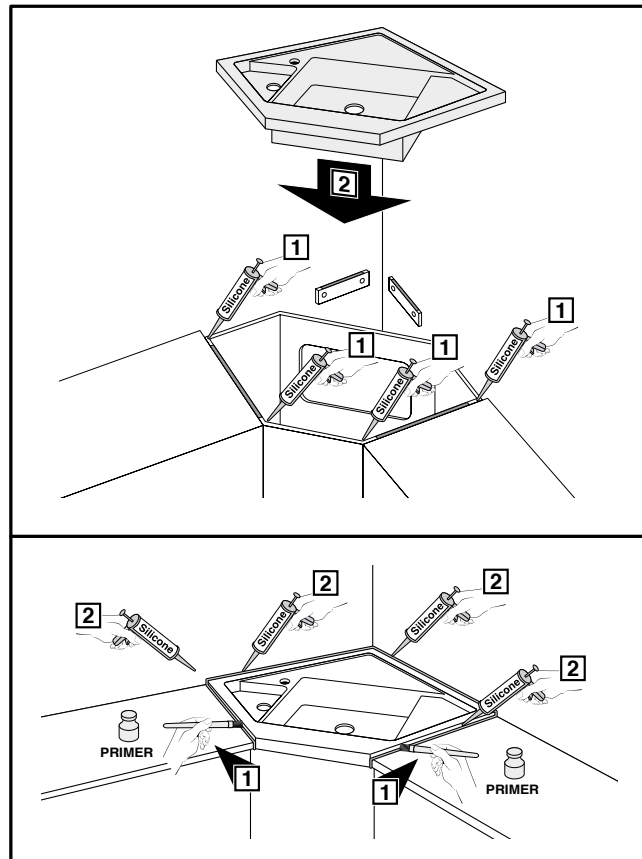
In order for Villeroy & Boch to be liable, the product must be installed in accordance with the installation instructions for allowing the option of dismantling without causing any damage (assembly set 9218 02 00).



# INSTALLATION INSTRUCTIONS

## Installation Instructions

Monumentum 3303



## Installation Instructions

Ceramic Sinks 6320 / 6323

### Please note:

In order to ensure that any concealed damage caused in transit is identified in good time, the ceramic elements should be examined prior to installation.

When installing ON METAL CONSOLES, the contact surface on the wall must be level and able to withstand pressure. The load-bearing capacity of the bathroom fitting is dependent on the stability of the wall to which it is attached. Plasterboard and similar boarding are thus only permissible when used in conjunction with suitable bearing elements.

When installing ON A CABINET, a suitable cabinet construction is required.

The installation instructions have been carefully drawn up in accordance with the latest knowledge available.

Please read them carefully prior to commencing installation work. Misunderstandings or errors resulting from changes to models of which the installer may not be aware may lead to incorrect installation.

Particularly when larger building projects or series installation work are involved, we therefore recommend you obtain confirmation from our company that the stated installation dimensions are still valid, or carry out a comparison with an article from our current production output.

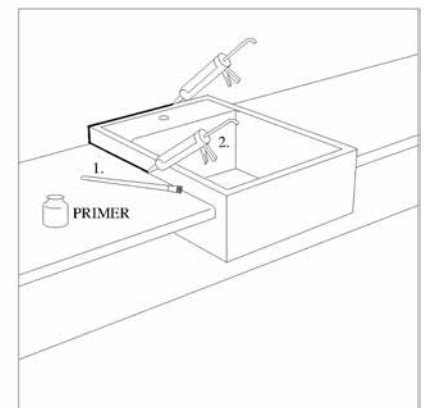
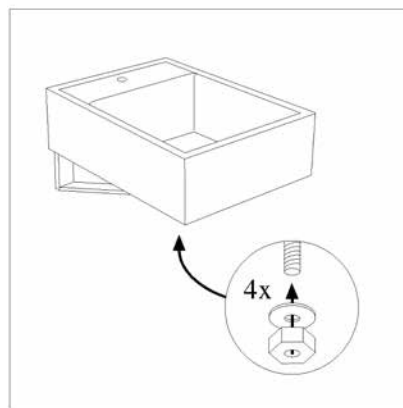
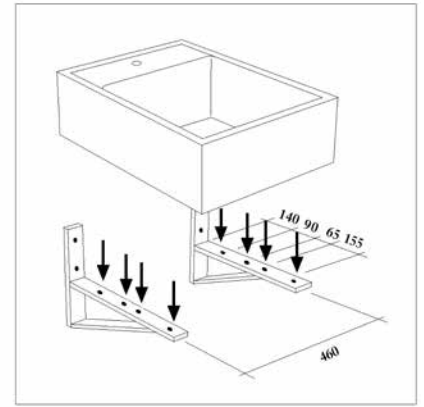
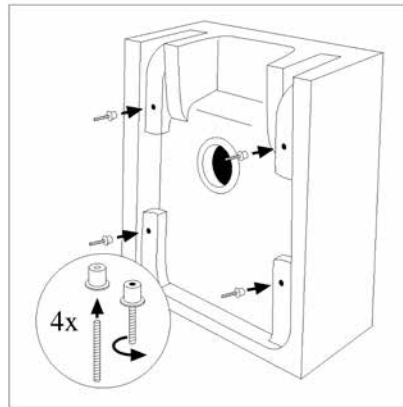
The advice on installation provided in our literature, written instructions for installation and verbal advice provided by our staff do not establish a legal relationship.

**We reserve the right to carry out modifications to products in the interests of technical improvement.**

# INSTALLATION INSTRUCTIONS BUTLER AND FARMHOUSE SINKS

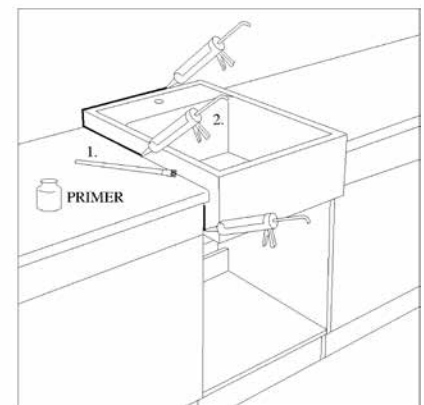
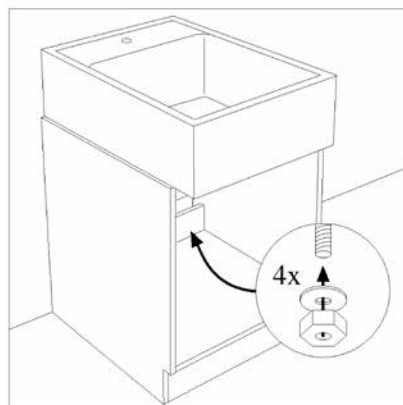
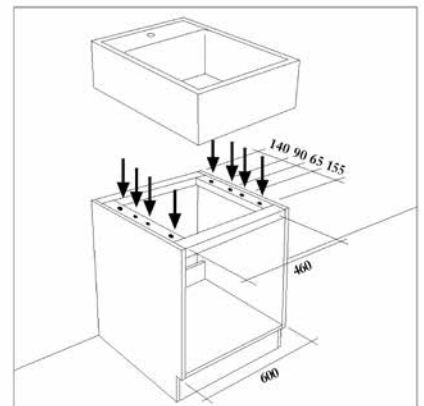
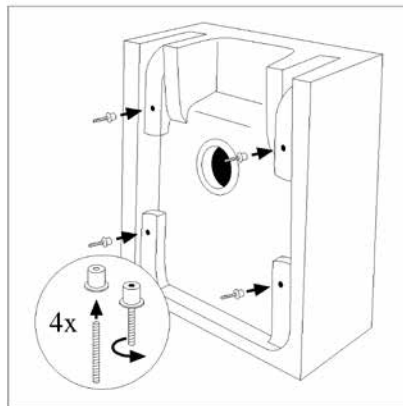
## Installation Instructions Butler and Farmhouse sinks

Ceramic sink 6320  
(installing on metal consoles)



## Installation Instructions Butler and Farmhouse sinks

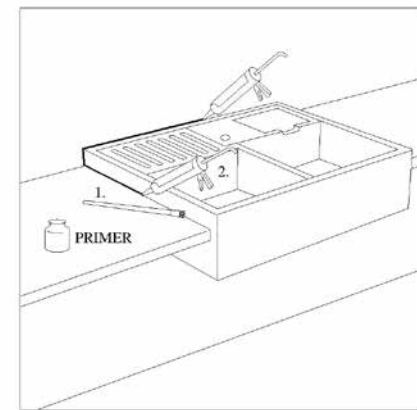
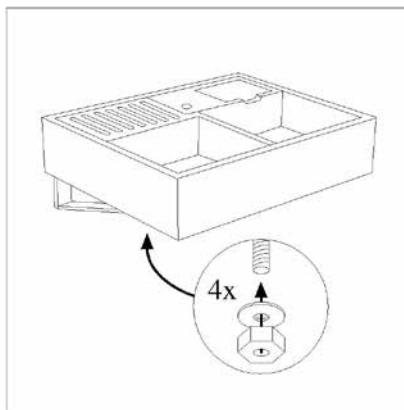
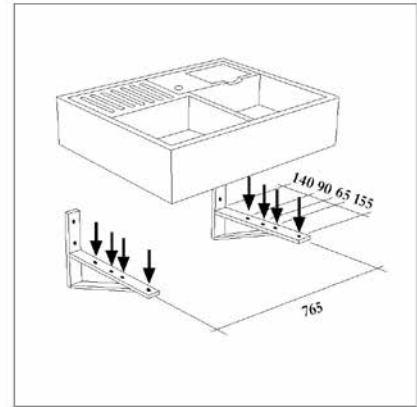
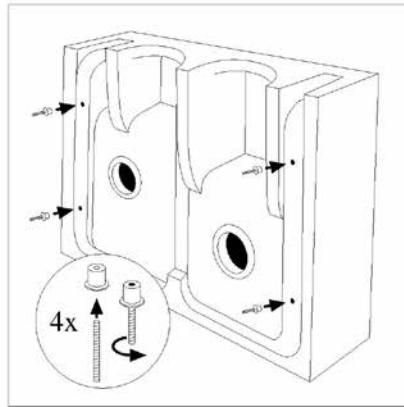
Ceramic sink 6320  
(installing on a cabinet)



# INSTALLATION INSTRUCTIONS BUTLER AND FARMHOUSE SINKS

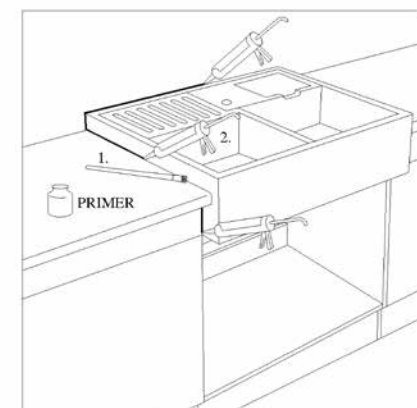
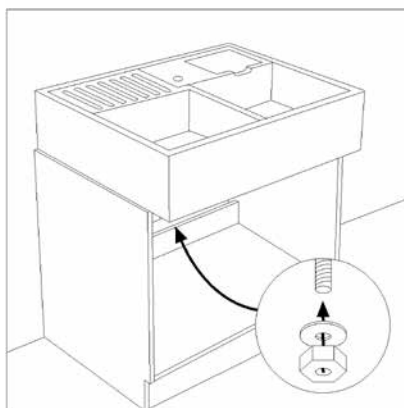
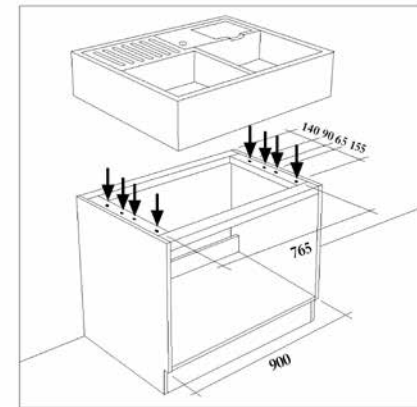
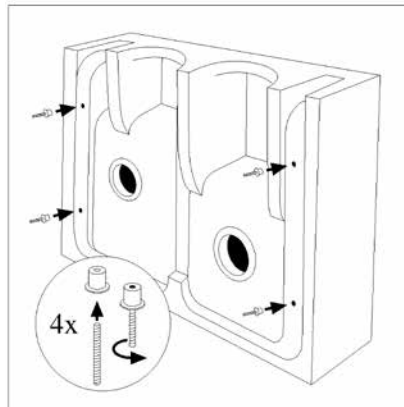
## Installation Instructions Butler and Farmhouse sinks

Ceramic sink 6323  
(installing on metal consoles)



## Installation Instructions Butler and Farmhouse sinks

Ceramic sink 6323  
(installing on a cabinet)



# INSTALLATION INSTRUCTIONS CISTERNA & SUBWAY

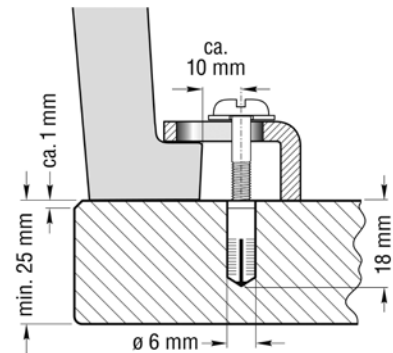
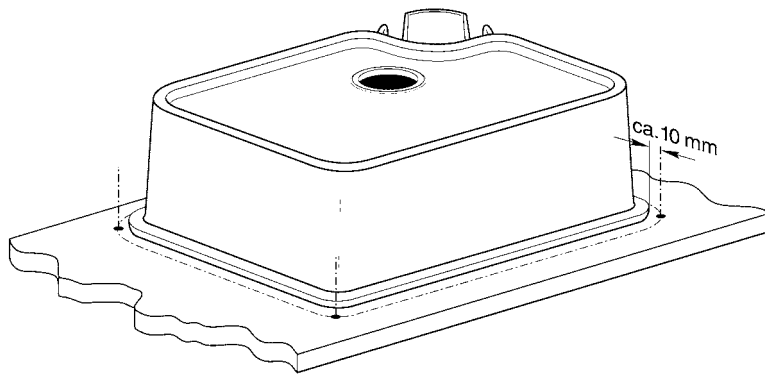
## Cisterna and Subway Undercounter sinks (6703, 6704, 6706, 6758, 3310, 3324, 3325)

### Instructions for installation in natural stone slabs (e.g. granite) with a minimum thickness of 25 mm.

We recommend the use of cementing materials specifically intended for natural stone. Please follow the manufacturer's instructions.

Installation accessories applied: 6 fastening brackets, 6 M5 x 35 screws, 6 M5 x 30 screws, 6 MS dowels

1. Determine where the sink is to be positioned on the slab and cut out the hole according to the original sink. Lay the slab face down on an absolutely plane and true, stable surface. Make sure that all surfaces to be cemented are free of grease and otherwise clean and dry. Apply silicone rubber to the ground rim of the sink. Lay the sink over the hole in the slab and align. Remove any excess sealant.
2. Mark drilling holes on the slab at approx. 10 mm from the outer edge of the sink. Ensure that the sink and brackets fit into the cabinet used. Using a 6 mm carbide drill, drill the holes (without using the percussion feature). Using a 6 mm carbide drill, drill the holes (without using the percussion feature) to 18 mm, not counting the tip, preferably using a depth gauge attachment).
3. Insert the MS special dowels enclosed flush into the holes. Attach the fastening brackets with the screws supplied to the sink and slab. Tighten the screws by hand with a screwdriver. (Do not use a torque lever).



For a precise fit, the cut-out must be produced in the worktop by reference to the original sink. The supplied installation templates provide guidance here.

The cut-out dimensions specified on the templates take due account of the ceramic tolerances and a safety clearance. In some cases, the countertop may consequently protrude by up to 11 mm beyond the rim of the sink. This dimension can be minimised by producing the cut-out according to the given sink contour. A minimum overhang of 2 mm is necessary, however, duly taking the ceramic tolerances into consideration.

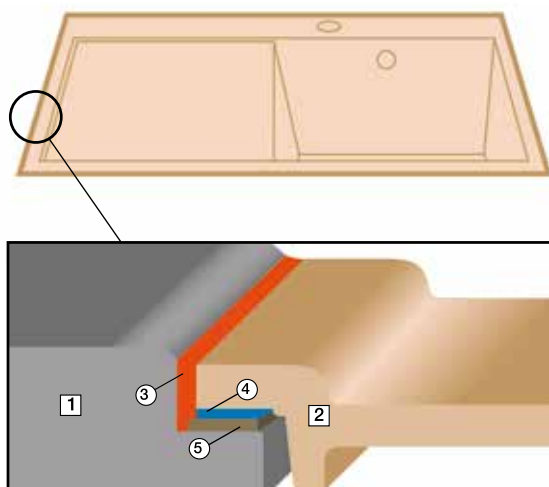
When producing the cut-out by means of the template: Recommended distance between edge of cut-out and centre of tap hole: approx. 75 mm

We reserve the right to make technical alterations.

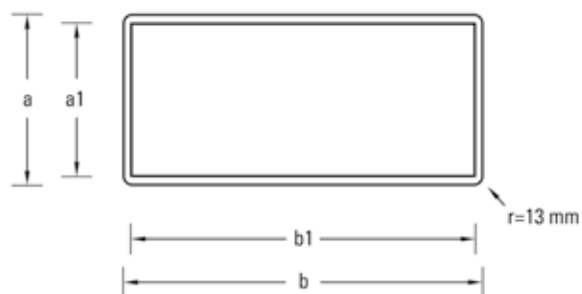
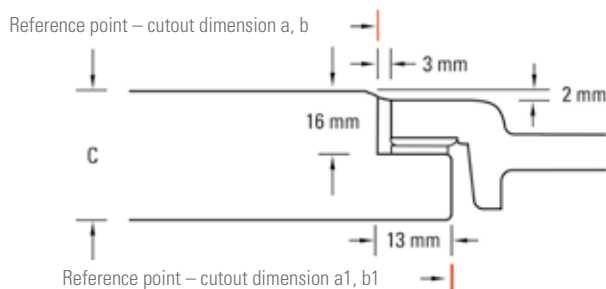
# INSTALLATION INSTRUCTIONS FOR FLUSH-FIT SINKS

## Recommendations for installation




of flush-fit sinks in natural stone worktops, minimum thickness 4 cm. The installation kit can also be ordered for customers under article number 9220 58 00.



1	Natural stone worktop
2	Sink
3	Natural stone-silicone jointing compound (Note recommendations by supplier/manufacturer of natural stone)
4	Levelling compound (enclosed)
5	Use enclosed wood spacers and/or levelling compound under sink for levelling purposes



## Coutout dimension:

Sinks	Ref.				a (mm)	b (mm)	a1 (mm)	b1 (mm)	C (mm)
Siluet 60 Flat	3336 OF	reversible			496	986	470	960	30
Siluet 60 R Flat	3337 OF	reversible			496	986	470	960	30
Siluet 60 S Flat	3346 OF			X	496	586	470	560	30
Siluet 50 Flat	3335 OF	reversible			496	886	470	860	30
Siluet 50 S Flat	3345 OF			X	496	496	470	470	30
Siluet 45 Flat	3334 OF	reversible			496	786	470	760	30
Subway 60 Flat	6712 OF	X			481	971	455	945	40
Subway 60 Flat	6770 OF		X		481	971	455	945	40
Subway 60 XL Flat	6719 OF	X			481	971	455	945	40
Subway 60 XL Flat	6718 OF		X		481	971	455	945	40
Subway 45 Flat	6714 OF	X			481	751	455	725	40
Subway 45 Flat	6772 OF		X		481	751	455	725	40
Subway 60 S Flat	3309 OF			X	481	571	455	545	30
Subway Style 60 Flat	3361 OF	X			496	986	470	960	30
Subway Style 60 Flat	3362 OF		X		496	986	470	960	30
Subway 60 XM Flat	6780 OF			X	481	591	455	565	30
Subway 45 XS Flat	6781 OF			X	481	446	455	420	30
Subway 50 S Flat	3315 OF			X	481	496	455	470	30
Subway Style 50 Flat	3351 OF	X			496	886	470	860	30
Subway Style 50 Flat	3352 OF		X		496	886	470	860	30
Timeline 60 Flat	6790 OF	reversible			481	971	455	945	40
Timeline 50 Flat	3307 OF	reversible			481	871	455	845	40

# INSTALLATION MEASUREMENTS

## WITH THE OPTION OF DISMANTLING WITHOUT CAUSING ANY DAMAGE

Sinks	Ref.	A	B	C	D	E	F	G	H	I	J
ARCHITECTURA 80	3380	50	50	400-460	600	460	370	--	--	80	80
ARCHITECTURA 60	3360	50	50	400-460	600	460	380	--	--	80	80
ARCHITECTURA 60 XR	3365*4	0	100	400-460	600	460	380	--	--	80	80
ARCHITECTURA 60 XR	3365*5	100	0	400-460	600	460	380	--	--	80	80
ARCHITECTURA 50	3350	50	50	400-460	600	460	380	--	--	80	80
ARCHITECTURA 45	3340	50	50	400-460	600	460	380	--	--	80	80
ARENA ECK	6729	ONLY INSTALLATION IN CORNER POSSIBLE						900	900	80	80
CISTERNA 60C	6706	*6	*6	390-420	600	460	330	--	--	80	80
CISTERNA 60B mit Restebecken	6702	*6	*6	390-420	600	460	330	--	--	80	80
CISTERNA 50	6703	*6	*6	390-420	600	460	30	--	--	80	80
CISTERNA 45	6704	*6	*6	390-420	600	460	330	--	--	80	80
CONDOR 60	6759	50	50	400-480	600	460	380	--	--	80	80
CONDOR 50	6732*4	0	100	400-470	600	460	380	--	--	80	80
CONDOR 50	6732*5	100	0	400-470	600	460	380	--	--	80	80
CONDOR 45	6745*4	0	100	400-480	600	460	380	--	--	80	80
CONDOR 45	6745*5	100	0	400-480	600	460	380	--	--	80	80
FLAVIA 60	3304*4	0	100	400-460	60	460	380	--	--	80	80
FLAVIA 60	3304*5	100	0	400-460	60	460	380	--	--	80	80
FLAVIA 50	3305*4	0	100	400-460	60	460	380	--	--	80	80
FLAVIA 50	3305*5	100	0	400-460	60	460	380	--	--	80	80
SOLO ECK	6708	ONLY INSTALLATION IN CORNER POSSIBLE						900	900	80	80
SILUET 60	3336*4	0	100	400-460	600	460	380	--	--	80	80
SILUET 60	3336*5	100	0	400-460	600	460	380	--	--	80	80
SILUET 60 R	3337*4	0	100	400-460	600	460	360	--	--	80	80
SILUET 60 R	3337*5	100	0	400-460	600	460	360	--	--	80	80
SILUET 60 S	3346	0	100	400-600	600	460	370	--	--	80	--
SILUET 50	3335*4	0	100	400-460	600	460	380	--	--	80	80
SILUET 50	3335*5	100	0	400-460	600	460	380	--	--	80	80
SILUET 50 S	3345	0	100	400-600	600	460	370	--	--	80	--
SILUET 45	3334*4	0	100	400-460	600	460	380	--	--	80	80
SILUET 45	3334*5	100	0	400-460	600	460	380	--	--	80	80
SILUET 60 Flat	3336 0F*4	0	100	400-450	600	460	370	--	--	80	80
SILUET 60 Flat	3336 0F*5	100	0	400-450	600	460	370	--	--	80	80
SILUET 60 R Flat	3337 0F*4	0	100	400-450	600	460	370	--	--	80	80
SILUET 60 R Flat	3337 0F*5	100	0	400-450	600	460	370	--	--	80	80
SILUET 60 S Flat	3346 0F	0	100	400-600	600	460	370	--	--	80	--
SILUET 50 Flat	3335 0F*4	0	100	400-450	600	460	370	--	--	80	80
SILUET 50 Flat	3335 0F*5	100	0	400-450	600	460	370	--	--	80	80
SILUET 50 S Flat	3345 0F	0	100	400-600	600	460	370	--	--	80	--
SILUET 45 Flat	3334 0F*4	0	100	400-450	600	460	370	--	--	80	80
SILUET 45 Flat	3334 0F*5	100	0	400-450	600	460	370	--	--	80	80
SUBWAY 80	6726	50	50	400-460	600	460	370	--	--	--	80
SUBWAY 60	6712	50	50	400-460	600	460	370	--	--	--	80
SUBWAY 60	6770	50	50	400-460	600	460	370	--	--	80	--
SUBWAY 60 Flat	6712 0F	50	50	400-450	600	460	360	--	--	--	80
SUBWAY 60 Flat	6770 0F	50	50	400-450	600	460	360	--	--	80	--
SUBWAY 60 XL	6718	100	0	400-460	600	460	370	--	--	--	80
SUBWAY 60 XL	6719	0	100	400-460	600	460	370	--	--	80	--
SUBWAY 60 XL Flat	6718 0F	100	0	400-460	600	460	360	--	--	--	80
SUBWAY 60 XL Flat	6719 0F	0	100	400-460	600	460	360	--	--	80	--
SUBWAY 60 XM	6780*8	50	50	400-460	600	460	370	--	--	--	80

\*1) The installation measurements for installation of the fitting in the middle. \*2) The installation measurements for installation of the fitting in the hole near the basin.  
 \*3) The installation measurements for installation of the fitting left. \*4) The installation measurements for installation of the bowl right. \*5) The installation measurements for installation of the bowl left.  
 \*6) Dependent of the position of the taps. \*7) Measured from the middle of the 90mm waste outlet. \*8) When installing in the central tap hole.

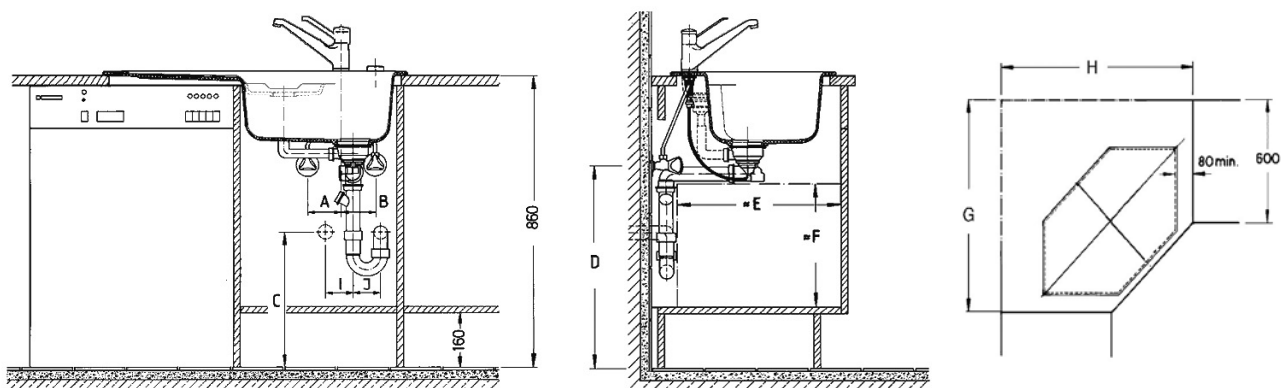
# INSTALLATION MEASUREMENTS

## WITH THE OPTION OF DISMANTLING WITHOUT CAUSING ANY DAMAGE

Sinks	Ref.	A	B	C	D	E	F	G	H	I	J
SUBWAY 60 XM Flat	6780 0F*6	50	50	400-450	600	460	360	--	--	--	80
SUBWAY 60 S	3309	0	100	400-460	600	460	370	--	--	80	--
SUBWAY 60 S Flat	3309 0F	0	100	400-450	600	460	370	--	--	80	--
SUBWAY STYLE 60	3361	0	100	400-460	600	460	370	--	--	80	--
SUBWAY STYLE 60	3362	100	0	400-460	600	460	370	--	--	--	80
SUBWAY STYLE 60 Flat	3361 0F	0	100	400-460	600	460	360	--	--	80	--
SUBWAY STYLE 60 Flat	3362 0F	100	0	400-460	600	460	360	--	--	--	80
SUBWAY STYLE 60 S	3366	0	100	400-460	600	460	370	--	--	80	--
SUBWAY STYLE 60 S Flat	3366 0F	0	100	400-450	600	460	370	--	--	80	--
SUBWAY 60 SU	3310	*6	*6	390-420	600	460	330	--	--	80	80
SUBWAY 60 XU	6758	*6	*6	390-420	600	460	330	--	--	80	80
SUBWAY 50 S	3315	0	100	400-460	600	460	370	--	--	80	--
SUBWAY 50 S Flat	3315 0F	0	100	400-460	600	460	360	--	--	80	--
SUBWAY STYLE 50	3351	0	100	400-460	600	460	370	--	--	80	--
SUBWAY STYLE 50	3352	100	0	400-460	600	460	360	--	--	--	80
SUBWAY STYLE 50 Flat	3351 0F	0	100	400-460	600	460	360	--	--	80	--
SUBWAY STYLE 50 Flat	3352 0F	100	0	400-460	600	460	360	--	--	--	80
SUBWAY 50 SU	3325	*6	*6	400-460	600	460	330	--	--	80	80
SUBWAY 45	6714*2	50	50	400-460	600	460	370	--	--	--	80
SUBWAY 45	6772*2	50	50	400-460	600	460	370	--	--	80	--
SUBWAY 45 Flat	6714 0F*2	50	50	400-450	600	460	360	--	--	--	80
SUBWAY 45 Flat	6772 0F*2	50	50	400-450	600	460	360	--	--	80	--
SUBWAY 45 Compact	3313	100	0	400-460	600	460	370	--	--	--	80
SUBWAY 45 Compact	3312	100	0	400-460	600	460	370	--	--	80	--
SUBWAY 45 XS	6781*8	100	0	400-460	600	460	370	--	--	--	80
SUBWAY 45 XS Flat	6781 0F*8	100	0	400-450	600	460	360	--	--	--	80
SUBWAY 45 SU	3324	*6	*6	400-460	600	460	330	--	--	80	80
TIMELINE 60	6790*4	100	0	400-460	600	460	370	--	--	80	80
TIMELINE 60 Flat	6790 0F*4	100	0	400-450	600	460	360	--	--	80	80
TIMELINE 50	3307*4	100	0	400-460	600	460	370	--	--	--	80
TIMELINE 50 Flat	3307 0F*4	100	0	400-460	600	460	360	--	--	--	80

# INSTALLATION MEASUREMENTS

## Surface-mounted installation

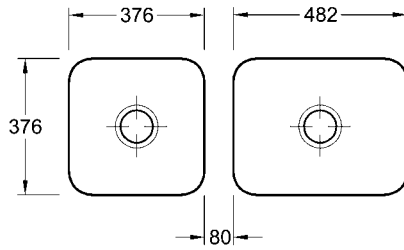


# POSSIBLE COMBINATIONS

**Undercounter** (range with the cut-out dimensions\*)

## 120 CM

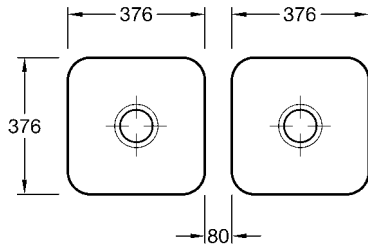
Width of  
undersink cabinet



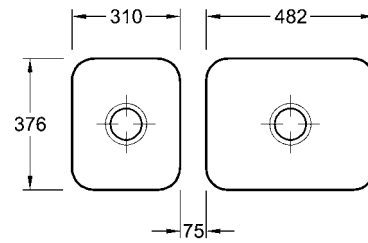
CISTERNA 50 + CISTERNA 60C'  
6703 + 6706

## 100 CM

Width of  
undersink cabinet



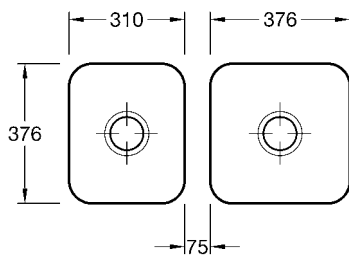
CISTERNA 50 + CISTERNA 50'  
6703 + 6703



CISTERNA 45 + CISTERNA 60C'  
6704 + 6706

## 90 CM

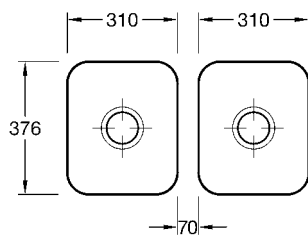
Width of  
undersink cabinet



CISTERNA 45 + CISTERNA 50'  
6704 + 6703

## 80 CM

Width of  
undersink cabinet



CISTERNA 45 + CISTERNA 45'  
6704 + 6704

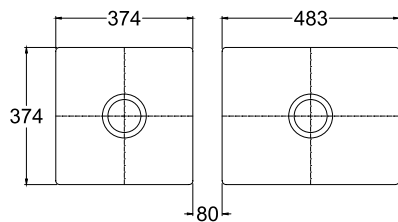


# POSSIBLE COMBINATIONS

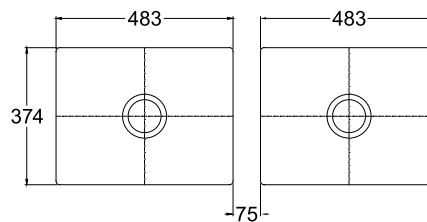
## Undercounter (range with the cut-out dimensions)

### 120 CM

Width of undersink cabinet



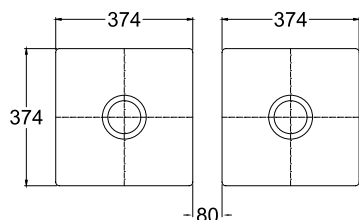
SUBWAY 50 SU + SUBWAY 60 SU<sup>1</sup>  
3325 + 3310



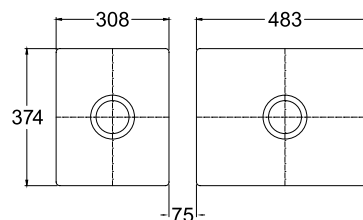
SUBWAY 60 SU + SUBWAY 60 SU<sup>1</sup>  
3310 + 3310

### 100 CM

Width of undersink cabinet



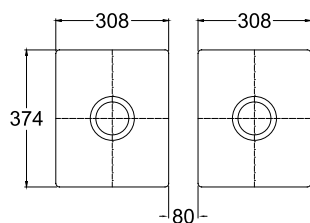
SUBWAY 50 SU + SUBWAY 50 SU<sup>1</sup>  
3325 + 3325



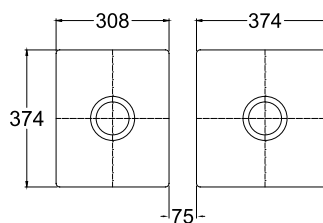
SUBWAY 45 SU + SUBWAY 60 SU<sup>1</sup>  
3324 + 3310

### 90 CM

Width of undersink cabinet



SUBWAY 45 SU + SUBWAY 45 SU<sup>1</sup>  
3324 + 3324



SUBWAY 45 SU + SUBWAY 50 SU<sup>1</sup>  
3324 + 3325

Accessories (also required):	Ref.	PRICE
Drain connection for all shown Cisterna and Subway combinations.	8297 00 00	34,-

INSTALLATION INSTRUCTIONS

# GENERAL SALES CONDITIONS OF VILLEROY & BOCH AG

**Bath and Wellness Division**, Rev. August 2016

## I. GENERAL

1. These General Conditions of Sale (hereinafter referred to as "conditions of sale") shall apply to all – i. e. also to future – quotations, supply and other performance by Villeroy & Boch AG including all its branches and group companies (hereinafter referred to as "we", "us" or "ourselves"), to customers who are not consumers within the meaning of § 13 of the German Civil Code BGB (hereinafter referred to as "purchasers"); the purchaser and ourselves taken together also being referred to hereinafter as "the parties").

2. These conditions of sale shall, unless any other provision is expressly made, apply for the entire duration of the business relationship without its being necessary for us to make specific reference to the fact. Business conditions of the purchaser shall not apply unless expressly recognised by ourselves in writing. These conditions of sale shall also apply if we make deliveries to the purchaser unconditionally while aware of conditions of the purchaser which are contradictory to or deviate from our conditions of sale.

3. Any alterations (amendments/additions) to these conditions shall require to be made in writing.

4. Verbal collateral agreements or assurances shall be invalid unless confirmed by ourselves in writing.

## II. QUOTATIONS

1. Unless designated as binding in their text, our quotations shall be non binding and without obligation and shall not place us under any obligation to accept a given order.

2. If, after the conclusion of the contract, modifications are called for by our customers, or if the contract is cancelled wholly or in part, all the costs and expenses and other losses thus far incurred by ourselves or to be incurred in connection therewith (e. g. lost profit) shall be chargeable to the customer. Cancellation will only be possible with our approval. This shall not affect any rights the purchaser may have to rescind or avoid the contract.

## III. PRICES AND DELIVERIES

1. If the parties have not agreed any other price, the price shall be determined according to our price lists as valid at the time when the contract is concluded. Unless the parties have agreed anything different, the purchaser shall, in addition to all prices in accordance with the price lists,

2. The delivery dates or periods stated in the order confirmation shall be estimated dates or periods and shall therefore be non-binding. They shall only be binding if confirmed as such in the order confirmation.

3. Unless any other contractual agreement has been made, the delivery period shall begin on receipt of written confirmation of the order.

4. A delivery period or date shall be deemed to have been met if the goods leave our works or warehouse or, as the case may be – if they are to be collected by the purchaser – are ready for collection prior to expiry of said date or period.

5. If a non-binding delivery date or period (referred to here below in Section 6 as "non-binding delivery period") is not met, we shall be deemed to have defaulted thereon when a grace period has expired and a reminder been received from the purchaser, unless we can prove that we were not responsible for our failure to meet the non-binding delivery period or effect delivery during the grace period.

The length of the grace period shall be 1/5 of the nonbinding delivery period. The grace period shall begin on the first working day that follows the end of the delivery period. If the length of the grace period is not an exact number of full days, weeks or months, it shall be rounded off to the nearest full number of days (example: non-binding delivery period 27 days, 1/5 = 5.4 days, grace period = rounded off to 5 days). The non-binding delivery period shall be calculated in accordance with Section III. 3.

6. If a delivery period or date is not met for reasons for which we are not responsible, in particular in cases in which we ourselves have received a late or incorrect self-delivery or deliveries, the delivery period shall be extended by a reasonable period. If we are, furthermore, unable to render our performance within said reasonably extended delivery period for reasons for which we are not responsible, we shall inform the purchaser of the fact without delay. In such cases we shall have the right to rescind the contract within a period of two weeks beginning from the moment when we inform the purchaser. Having exercised said right of rescission we shall reimburse the purchaser without delay for any counter-performance that he may already have rendered. For the rest, the statutory rights and entitlements of the parties shall remain unaffected.

## IV. PACKAGING

1. Unless any special packaging has been agreed, the goods shall be packaged at our discretion in accordance with the standard commercial methods.

2. The costs of transport packaging (e. g. euro containers, cardboard boxes or crates) shall be invoiced to the purchaser. If goods are shipped in reusable containers a rental charge or circu-

lation fee will be invoiced. The reusable containers are to be returned immediately to the pool via the return shipment logistics system. Costs incurred by non-fulfilment of this obligation shall be invoiced to the customer. Packaging units will be taken back within the framework of and as governed by the respective statutory regulations.

3. Loading costs are to be borne by the purchaser as shipment costs. If goods are loaded on pooling pallets, we shall accompany the loading procedure at the roadside in direct pallet exchange with the haulage contractor. If haulage contractors or customer's vehicles are used, the purchaser must supply intact exchange pallets. Missing pallets will be invoiced to the purchaser.

## V. SHIPMENT

1. Goods will be shipped at the expense and risk of the purchaser.

2. The risk shall pass over to the purchaser when the articles to be delivered are handed over to the transport company or to the purchaser himself.

3. Insurance shall only be taken out at the wish and expense of the purchaser.

4. Transport damage is to be reported to the haulier for inspection without delay. The purchaser must ensure that the complaint is noted in the shipment record. The shipment record provided for such cases is to be sent to us without its being necessary for us to request that it be sent.

## VI. TERMS OF PAYMENT

1. Unless any other agreement has been made, our claims shall fall due for payment in full as soon as the invoice has been received. The definitive date in determining whether or not payment has been made in due time shall be the date on which payment is actually received.

2. If it becomes apparent to us after conclusion of the contract that there is a risk that the orderer may not be in a position to fulfil his performance obligations, we shall have the right to insist that outstanding deliveries be effected only against advance payment or the provision of securities. If said advance payments have not been made or securities not provided after the expiry of a reasonable period set by ourselves, we shall be entitled to rescind all or any of the contracts affected thereby or any part thereof. The period shall be regarded as reasonable if it is at least 10 calendar days, though the purchaser shall also have the option of showing that the period was not reasonable in a given individual case. We shall in particular be entitled as above if it comes to our knowledge that the purchaser has drawn cheques not covered by sufficient funds, if bills of exchange or cheques of the purchaser's are protested, if an application is made for the institution of insolvency proceedings or if insolvency proceedings are actually instituted: the above notwithstanding our entitlement to assert further rights.

3. Bills of exchange and cheques will only be accepted following special agreement and in all cases only as conditional payment. Discount charges, collection fees and all other costs shall be chargeable to the purchaser.

## VII. RETENTION OF TITLE

1. We shall reserve ownership of the delivered goods until such time as all payments arising from the existing business association with the purchaser have been received; said reservation refers to the acknowledged balance.

2. The purchaser shall have the right to resell goods subject to retention of title in the normal course of business, but only under retention of title. The purchaser may neither pledge the goods subject to retention of title nor transfer title of them as security. The purchaser hereby now assigns to us as collateral all claims which accrue to him from the resale in the amount of the final invoice of our claim (inclusive of turnover tax). We hereby accept the assignment. The claims thus assigned to us in advance by the purchaser also relate to the acknowledged balance and, in the case of insolvency of the purchaser, to the existing causal balance. The cover limit of the assigned claims shall be 110% of the realisable value of the goods subject to retention of title sold and delivered in each respective case. The purchaser shall be empowered to collect the claim. Said empowerment to collect and authorisation to resell may be revoked by us if the purchaser is in breach of any of his material contractual obligations (e. g. default in payment).

3. The purchaser shall inform us without delay of any attempts by third parties to take possession of the goods delivered under retention of title, doing so if possible at an early stage, when such attempts are still imminent. He shall inform third parties attempting (or intending to attempt) to take possession of the goods that the latter are our property. Any costs of interventions (e. g. § 771 of the German Code of Civil Procedure [ZPO]) shall be borne by the purchaser if the third party is not in a position to reimburse us for the judicial and extrajudicial costs.

4. If the purchaser is in breach of any of his material contractual obligations, in particular in cases of default in payment, we shall have the right to repossess the purchase object and to visit the premises of the purchaser for the purpose of so doing. Rescission of the contract is, furthermore, immanent in any such repossession of the purchase object by us. We shall, after repossession, be authorised to exploit the purchase object commercially, whereby the proceeds from such exploitation are to be offset against the liabilities of the purchaser (e. g.

# GENERAL SALES CONDITIONS OF VILLEROY & BOCH AG

## Bath and Wellness Division, Rev. August 2016

damages) – minus reasonable exploitation costs. If the purchaser was culpable in his breach of the obligation that led to the rescission, he shall remit to us lump sum compensation for the return transport of the purchase object in the amount of 5% of the purchase price. This sum may be set higher or lower if we can prove that the loss or damage was in fact greater, or if the purchaser can prove that it was in fact smaller.

5. We shall, for as long as a claim on our part is outstanding, have the right to request information from the purchaser at any time as to which goods delivered under retention of title are still in his possession, where they are, and to which customers the remaining goods supplied by us have been sold, said information relating to quantity, type and number. We shall also have the right to inspect the goods delivered under retention of title on any of the purchaser's premises, wherever the goods may be at any given time.

6. The purchaser shall be under obligation to treat the purchase object with due care and to carry out any necessary servicing and maintenance work at his own expense, to insure our goods against fire and theft at his own expense, and to furnish us on request with proof that said insurance has been taken out.

7a) Any processing or remodelling of the purchase object by the purchaser will always be carried out on our behalf. If the purchase object is processed with other objects of which we are not the owner, we shall acquire co-ownership of the new thing in proportion of the value of the purchase object (final invoice amount inclusive of turnover tax) to the other processed objects at the time of processing. For the rest, the provisions governing retention of title shall apply correspondingly to the thing created by the processing.

b) As security against our claims against him, the purchaser shall also assign to us the claims which accrue to him against a third party as a result of his combining the purchase object with a plot of land.

8. If the purchaser can prove that the realisable value of the securities exceeds that of the outstanding claims by more than 10%, we shall release the surplus amount if requested to do so by the purchaser.

## VIII. PRODUCT CHARACTERISTICS

1. We hereby draw attention to the following:

- On account of differing materials and manufacturing procedures, a series may feature variations in colour, often also depending on the lighting conditions.
- For typographic reasons there may be deviations in colour between the illustrations in a prospectus/catalogue and the actual product itself.
- Acidic and/or caustic cleansing agents may cause damage if improperly used.
- Goods labelled „seconds“ will be inferior in design and quality to goods labelled „1st choice“.

2. We reserve the right to produce goods with variations in finish, colour and shape such as are usual in the trade.

3. If the purchaser makes any subsequent changes to the goods supplied by us, in particular decorations or technical modifications, he shall not be permitted to resell them under our trademark unless we have issued our prior agreement to the changes in writing.

## IX. WARRANTY

1. Unless any other provision is made here below relating to the rights of the purchaser in cases of material and legal defects, the statutory regulations shall apply. In particular, moreover, the special statutory regulations covering final delivery of the goods to a consumer (recourse claims against suppliers in accordance with §§ 478, 479 of the German Civil Code BGB) shall remain unaffected.

2. § 377 of the German Commercial Code (HGB) shall apply in respect of the inspection of the goods and notification of defects, with the proviso that the period for giving notice of obvious defects shall be two weeks as from delivery, whilst the period for giving notice of defects that are not obviously discernible shall be two weeks as from their discovery.

3. If the goods are defective, we shall at our discretion be entitled either to rectify the defects (rectification of defects) or deliver defect-free goods (replacement delivery).

4. The purchaser shall store and handle rejected goods in the correct and proper manner.

5. We shall have the right to examine rejected goods together with an expert or other third party appointed by ourselves for the purposes of appraisal, and if necessary for the purpose of drawing up cost estimates or similar. If the purchaser fails to make the rejected goods available to us for examination within a reasonable period set by ourselves, our liability for the defects shall cease on expiry of said period.

6. In the course of supplementary performance which we are liable to carry out, we shall neither be under obligation to remove the defective thing nor to install the new thing if we were not originally under obligation to install.

7. Warranty claims on the part of the purchaser such as are oriented toward damages or compensation for futile expenditure may stand as governed in Section X („Liability“), but shall otherwise be excluded.

8. For goods which have in accordance with their normal intended use been used in a building

and have caused said building to be defective, the period of limitation shall be 5 years as from delivery. For all other goods the period of limitation shall be 1 year as from delivery. In cases of intent or gross negligence or if a guarantee has been given (§ 444 of the German Civil Code BGB), and cases such as those quoted in § 479 of the German Civil Code BGB and other special statutory regulations on limitation, the statutory period of limitation will continue to apply.

9. Our liability for defects shall not extend to cover damage caused by normal wear and tear (e. g. metal abrasion or wear caused by abrasive agents), deterioration in surface properties such as was unavoidable according to the accepted engineering standards at the time when the contract was concluded, improper use of the goods, non-compliance with the instructions for cleaning, care or use, or damage caused by the purchaser or a third party or parties.

## X. LIABILITY

1. We shall be liable to the purchaser for damages and compensation for expenses, in each case as governed by the statutory regulations, in the following cases (here below in Section X: „Liability“): liability under the German Product Liability Act (ProdHaftG); intent or fraudulent misrepresentation; gross negligence; injury to life, limb or health; cases in which a guarantee has been given by ourselves; cases such as those quoted in § 288 Para. 6 Sentence 1 of the German Civil Code BGB and any other cases of statutorily compulsory liability.

2. We shall also be liable to the purchaser for damages in case of culpable breach of material contractual obligations as governed by the statutory regulations. Material contractual obligations within the meaning of this clause are all obligations the breach of which jeopardises the achievement of the object of the contract and all obligations without the performance of which the contract cannot properly be fulfilled and in compliance with which the purchaser may routinely trust. Having said that, if a material contractual obligation is breached in a way that involves only ordinary negligence, entitlements of the purchaser to claim for damages shall, as regards the amount, be restricted to typical foreseeable loss or damage.

3. If we default on or fall behind with our performance, the purchaser shall be entitled to claim a gainst us on the basis of that default if his claim is for a contractual penalty or lump-sum compensation incurred within a supply chain in another contractual relationship in that supply chain, but only if he informed us expressly about the risk of such loss or damage prior to the conclusion of the contract. If not, the purchaser shall be entitled to claim for a contractual penalty or lump-sum compensation owed and paid by him as loss or damage caused by default only in the amount of a maximum of 5% of the net value of our order. The above shall apply correspondingly if the purchaser makes a claim against us for indemnification in respect of such contractual penalties or lump-sum compensation.

4. For the rest, there shall be no entitlement of the purchaser to claim for damages for whatever cause in law.

5. If our liability is restricted or excluded in accordance with the above provisions, the same shall apply to the personal liability of our legal representatives, employees, non-managerial staff and vicarious agents.

6. The entitlement of the customer to claim for damages shall fall under the statute of limitation within the statutory periods of limitation, the statutory regulations also applying as regards the beginning of said periods.

## XI. OFFSET, RIGHT OF RETENTION

1. The purchaser shall only be entitled to offset against due claims which are uncontested or have been established as legally established as final.

2. The purchaser shall only be entitled to a right of retention in respect of legally enforceable or uncontested claims.

## XII. INDUSTRIAL PROPERTY RIGHTS

All industrial and intellectual property rights relating to our products, shapes, illustrations, installation instructions, reports, data and other records and documents shall remain the property of ourselves or, as the case may be, our respective licensors. No rights of use or exploitation shall be granted to the purchaser relating to said industrial or intellectual property rights.

## XIII. APPLICABILITY OF GERMAN LAW, PLACE OF JURISDICTION

1. The law of the Federal Republic of Germany shall apply, there being no recourse to the UN Convention on Contracts for the International Sale of Goods (CISG).

2. If the purchaser is a businessman who concludes the contract in the context of a commercial transaction, a legal entity under public law or a separate asset under public law, the place of jurisdiction for all disputes arising from or in connection with the contract shall be the registered office of the Villeroy & Boch group company which concluded the contract. If that company does not have a general jurisdiction venue in the Federal Republic of Germany, the place of jurisdiction shall be the registered office of Villeroy & Boch AG.

# INDEX

Ref.	Page	Ref.	Page	Ref.	Page	Ref.	Page
3303 01	75	3365 02	20	8299 10	103	9697 01	97
3303 02	75	3366 01	27	8331 00	105	9697 05	107
3304 01	22	3366 02	27	8341 00	105	9697 11	97
3304 02	22	3366 1F	60	8345 47	103	9697 15	107
3305 01	34	3366 2F	60	8349 00	105	9841 00	105
3305 02	34	336A 01	27	8395 00	105	9849 00	105
3307 01	39	336A 02	27	8397 00	105	9850 00	105
3307 02	39	3380 01	17	8K00 10	102	9K04 00	103
3307 1F	70	3380 02	17	8K04 00	105	9K08 00	102
3307 2F	70	6320 61	77	8K06 00	105	9K09 00	105
3309 01	29	6320 62	77	8K07 00	105	9K10 00	105
3309 02	29	6323 91	76	8K09 00	105	9K11 00	105
3309 1F	62	6323 92	76	8K12 00	105	9K12 00	105
3309 2F	62	6360 01	80	8K31 00	105	9K13 00	103
3310 01	50	6360 02	80	8K33 10	102	9K14 00	104
3310 02	50	6380 01	79	8K36 10	102		
3312 01	43	6380 02	79	8K37 00	103		
3312 02	43	6390 01	78	8K38 00	104		
3313 01	43	6390 02	78	8K42 10	104		
3313 02	43	6703 01	48	9220 58	105		
3315 01	38	6703 02	48	9236 20	100		
3315 02	38	6704 01	49	9236 25	108		
3315 1F	69	6704 02	49	9236 30	100		
3315 2F	69	6706 01	47	9240 00	85		
3324 01	53	6706 02	47	9240 11	85		
3324 02	53	6708 01	82	9240 80	106		
3325 01	52	6708 02	82	9251 00	86		
3325 02	52	6712 01	28	9251 11	86		
3334 01	42	6712 02	28	9251 80	106		
3334 02	42	6712 1F	61	9252 00	87		
3334 1F	71	6712 2F	61	9252 05	107		
3334 2F	71	6714 01	44	9252 11	87		
3335 01	35	6714 02	44	9252 15	107		
3335 02	35	6714 1F	72	9253 00	99		
3335 1F	66	6714 2F	72	9253 05	107		
3335 2F	66	6718 01	30	9253 80	107		
3336 01	23	6718 02	30	9254 00	99		
3336 02	23	6718 1F	63	9257 00	89		
3336 1F	56	6718 2F	63	9258 00	89		
3336 2F	56	6719 01	30	9266 00	94		
3337 01	24	6719 02	30	9266 80	106		
3337 02	24	6719 1F	63	9267 00	95		
3337 1F	57	6719 2F	63	9268 00	94		
3337 2F	57	6726 01	18	9268 05	107		
3340 01	40	6726 02	18	9269 00	95		
3340 02	40	6729 01	81	9270 00	91		
3345 01	36	6729 02	81	9270 80	106		
3345 02	36	6745 01	41	9271 00	91		
3345 1F	67	6745 02	41	9271 80	106		
3345 2F	67	6758 01	51	9272 00	90		
3346 01	25	6758 02	51	9272 05	107		
3346 02	25	6759 01	21	9273 00	96		
3346 1F	58	6759 02	21	9273 05	108		
3346 2F	58	6770 01	28	9273 80	106		
3350 01	33	6770 02	28	9275 00	90		
3350 02	33	6770 1F	61	9278 00	88		
3351 01	37	6770 2F	61	9278 80	106		
3351 02	37	6772 01	44	9279 00	88		
3351 1F	68	6772 02	44	9279 05	107		
3351 2F	68	6772 1F	72	9280 00	96		
3352 01	37	6772 2F	72	9280 05	107		
3352 02	37	6780 01	31	9280 80	106		
3352 1F	68	6780 02	31	9281 00	92		
3352 2F	68	6780 1F	64	9281 05	107		
3360 01	19	6780 2F	64	9281 80	106		
3360 02	19	6781 01	45	9282 00	92		
3361 01	26	6781 02	45	9285 00	98		
3361 02	26	6781 1F	73	9405 25	105		
3361 1F	59	6781 2F	73	9405 26	104		
3361 2F	59	6790 01	32	9405 35	105		
3362 01	26	6790 02	32	9405 36	104		
3362 02	26	6790 1F	65	9624 15	102		
3362 1F	59	6790 2F	65	9668 01	93		
3362 2F	59	8299 03	108	9668 11	93		
3365 01	20	8299 05	103	9668 80	106		
		8299 06	102				



# VILLEROY & BOCH

*Villeroy & Boch AG  
Bathroom and Wellness Division  
Headquarters  
D-66693 Mettlach  
GERMANY*

*Tel. +49 (0) 6864-81-0  
Fax +49 (0) 6864-81-1405*